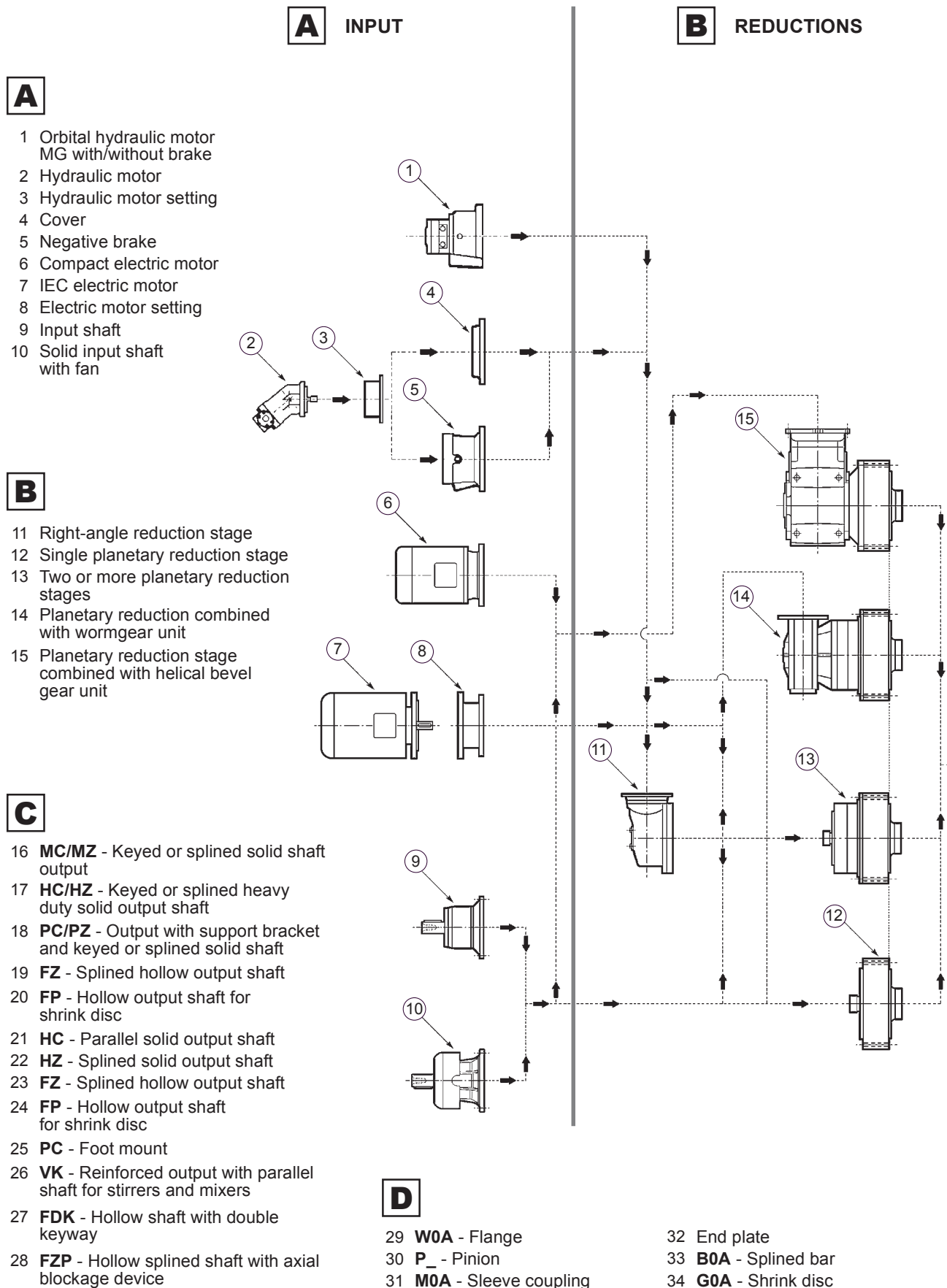


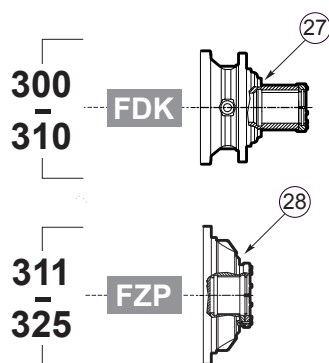
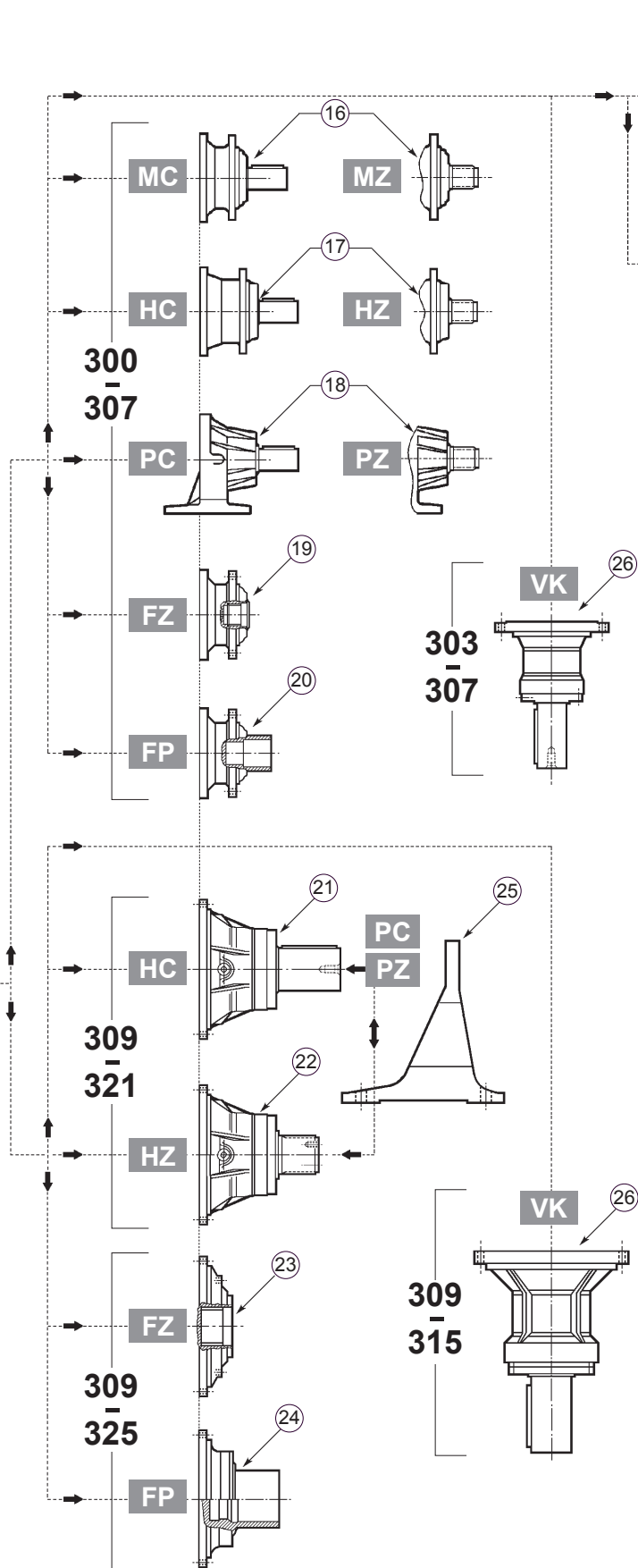


5 VERSIONS

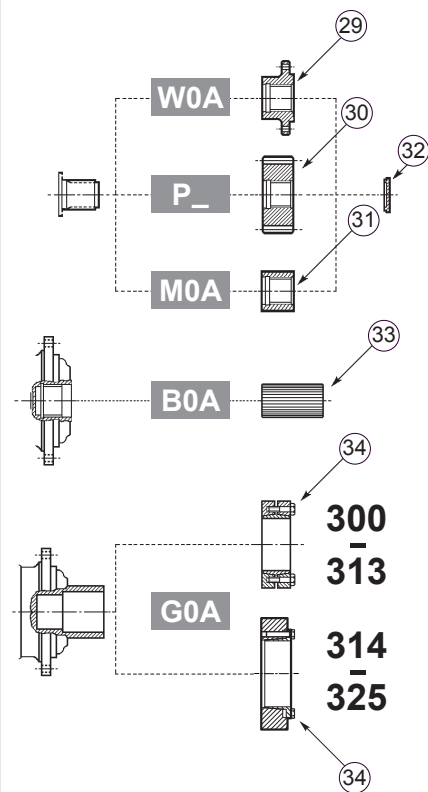


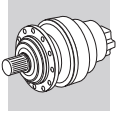


C OUTPUT



D FITTINGS

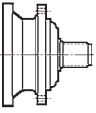
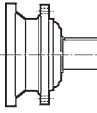
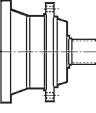
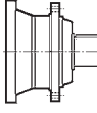
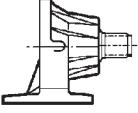
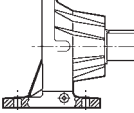
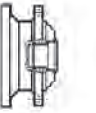
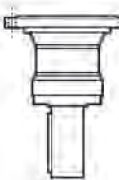
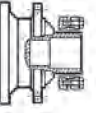
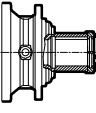
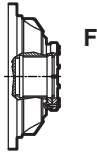




19 300 GEARBOX DESIGNATION

3 11 L 2 16.7 HZ

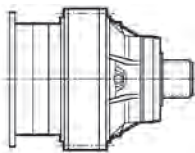
OUTPUT VERSION

	MZ: Splined male shaft		MC: Solid keyed shaft
	HZ: Heavy duty splined male shaft		HC: Heavy duty solid keyed shaft
	PZ: Foot base with splined shaft		PC: Foot base with solid keyed shaft
	FZ / FZB: Hollow splined shaft		VK: Reinforced output with heavy duty keyed shaft for stirrers and mixer
	FP: Hollow shaft for shrink disc		
	FDK: Hollow shaft with double keyway		FZP: Hollow splined shaft with axial blockage device (recommended for shaft mounted installation)

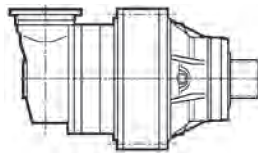
Reduction ratio
 Fill in the value of the transm. ratio (including point and decimals) reported in the selection charts
 Es. : 1/5.33 = 5.33 1/44.6 = 44.6 1/131 = 131

No. OF REDUCTIONS
1, 2, 3, 4

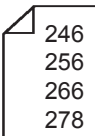

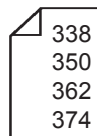
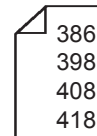
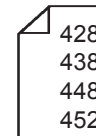
DESIGN
L = Linear



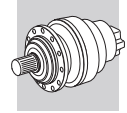
R = Right angle



GEARBOX SIZE

00 = 300	 246	05 = 305	 290	10 = 310	 338	15 = 315	 386	19 = 319	 428
01 = 301	256	06 = 306	302	11 = 311	350	16 = 316	398	21 = 321	438
03 = 303	266	07 = 307	314	13 = 313	362	17 = 317	408	23 = 323	448
04 = 304	278	09 = 309	326	14 = 314	374	18 = 318	418	25 = 325	452

SERIES



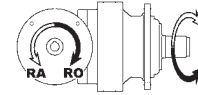
6A S5EC A A W0A

OPTIONS

GASKET
STANDARD = NBR
PV = Fluoro elastomer
(hydraulic inputs
 (BONFIGLIOLI TECHNICAL SERVICE))

ONLY FOR RIGHT ANGLE DESIGN
preferential input direction of rotation

RA = left
RO = right



25

SURFACE PROTECTION
C2 (default), **C3**, **C4**

37

PAINTING
RAL7042 (default), **RAL5010**,
RAL9005, **RAL9006**, **RAL9010**

37

CERTIFICATES
AC, **CC**

38

SUPPLEMENTARY COOLING SYSTEM
CR1, **CR2**, **CR3**

19

OUTPUT FITTINGS



P... = Pinions



B0A = Splined bar



M0A = Sleeve coupling



G0A = Shrink disc



W0A = Flange disc

MOTOR FLANGE ORIENTATION

461

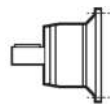
MOUNTING POSITION

38

INPUT

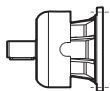
Without motor adaptor

V9AA	V9AC	V9AE	V9AG	V9AL
V9AB	V9AD	V9AF	V9AH	



Input keyed shaft

V01A	V01B	V05B	V06B	V07A	V07B	V10B	V11B	V15B
diam. Ø24	Ø38	Ø48	Ø60	Ø60	Ø80	Ø80	Ø80	Ø120



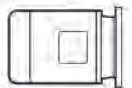
Solid input shaft with fan

FV05B	FV06B	FV07A	FV07B	FV10B	FV11B
diam. Ø48	Ø60	Ø60	Ø80	Ø80	Ø80



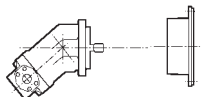
Electric motor connection

P+IEC (P71...P250)



Integrated gearmotor with in-built compact electric motor
(available up to size 307)

S2, **S3**, **S4**



Hydraulic Motor connection
(PV option (BONFIGLIOLI TECHNICAL SERVICE))

S5AP, **COAA**, **HOBA**, ...

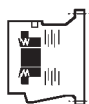
461



Hydraulic motor MG
(PV option (BONFIGLIOLI TECHNICAL SERVICE))

471

ONLY WITH HYDRAULIC MOTOR ADAPTOR



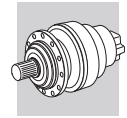
Standard negative multidisc brake

6 = Type : **4**, **5**, **6**
A = Braking torque : **A**, **B**, **C**, ...

460

Negative multidisc brake for MG hydraulic motor
SF = Without brake

477



P80 B5 AF W0A ...

OPTIONS

GASKET
STANDARD = NBR
PV = Fluoro elastomer

SURFACE
PROTECTION
C2 (default), **C3**, **C4**



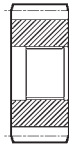
PAINTING
RAL7042 (default), **RAL5010**,
RAL9005, **RAL9006**, **RAL9010**



CERTIFICATES
AC, **CC**



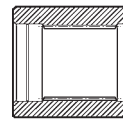
OUTPUT FITTINGS



P... = Pinions



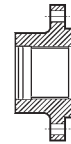
B0A = Splined bar



M0A = Sleeve coupling



G0A = Shrink disc



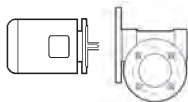
W0A = Flange

MOUNTING POSITION



DESIGN
B5, **B14**

ENTRATA

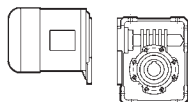


Electric motor connection

P+IEC (P63...P180)



Input keyed shaft **HS**



Integrated gearmotor with in-built compact electric motor

S1, **S2**, **S3**