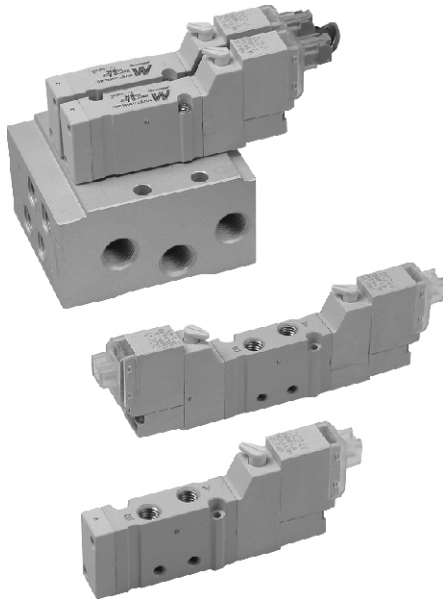


MVSY-100 series

SOLENOID VALVE

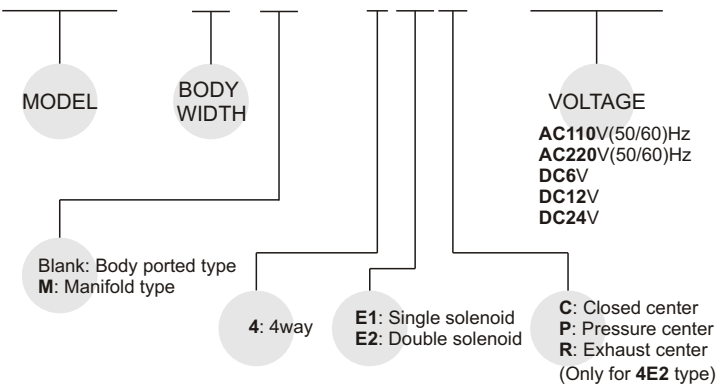


Specification:

Model	MVSY-100-4E1,4E2	MVSY-100-4E2C.P.R
Bore No.	M5	
Port size	M5×0.8	
No. of port	5	
No. of position	2	3
Medium	Air	
Operating pressure range	2~7 kgf/cm ²	
Proof pressure	10 kgf/cm ²	
Effective orifice	4 mm ²	4 mm ²
Response time	12 ms	15 ms
Ambient temperature	+5~+50°C	
Voltage	AC110V, AC220V (50/60)Hz, DC6/12/24V	
Power consumption	AC=1.6 / 2.5VA, DC=1.2W (LED indicator)	
Available voltage range	±10%	
Insulation class	F class	
Weight	30g, 43g	55g

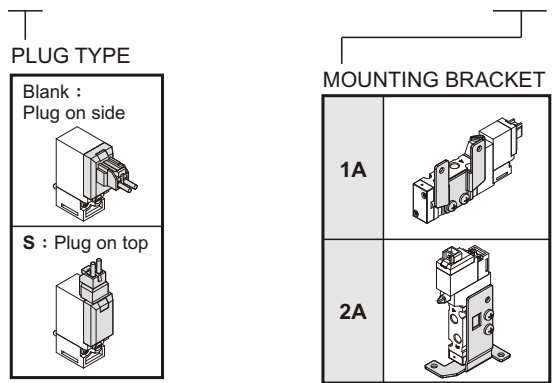
Order example of valve:

MVSY – 100M – 4E2C – AC110 – S



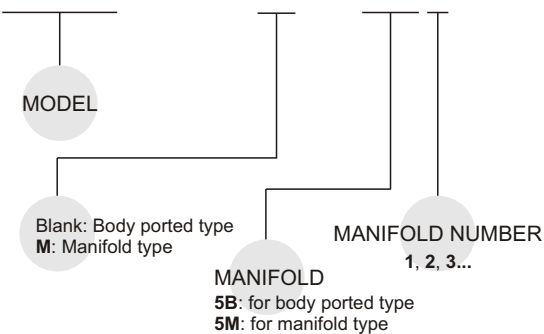
Order example of bracket:

MVSY – 100 – 1A

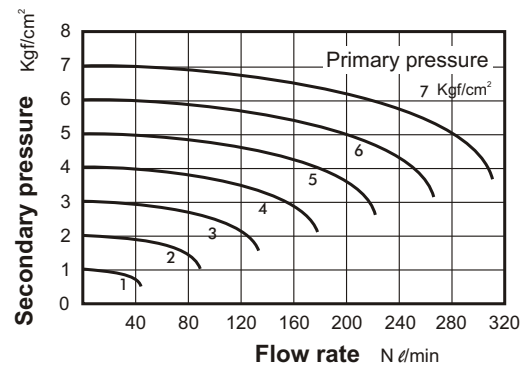


Order example of manifold:

MVSY – 100M – 5M3



Flow features:



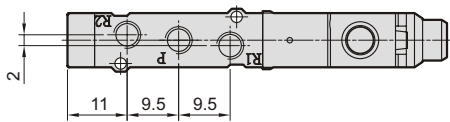
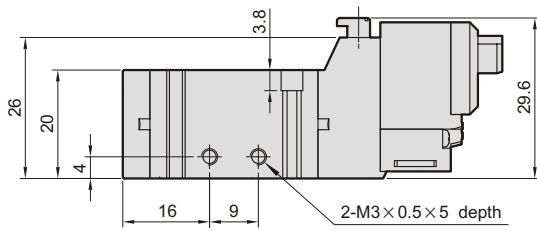
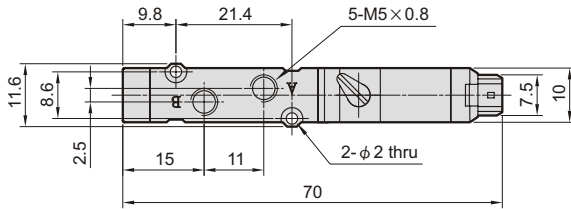
MVSY-100

SOLENOID VALVE

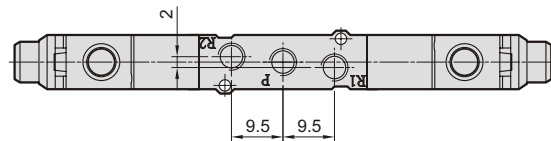
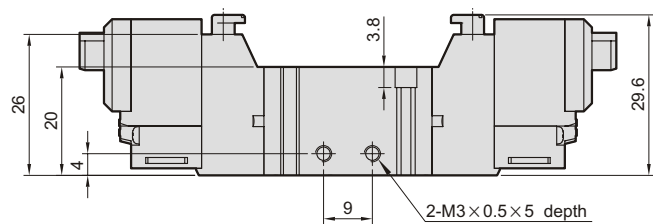
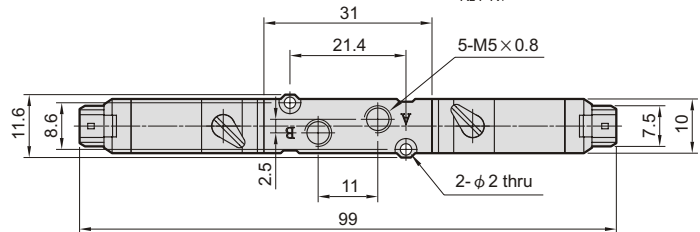
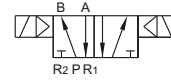


Dimensions:

MVSY-100-4E1



MVSY-100-4E2

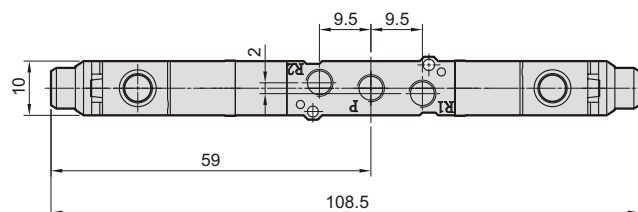
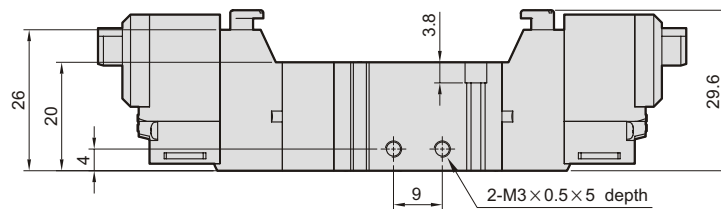
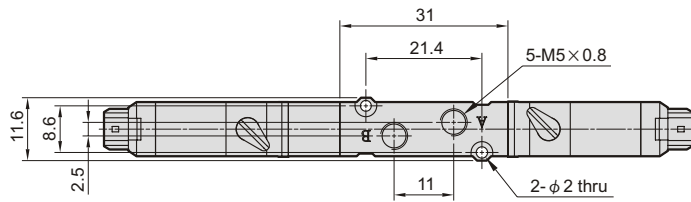
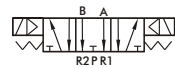
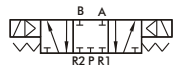


MVSY-100-4E2C.PR

MVSY-100-4E2C

MVSY-100-4E2P

MVSY-100-4E2R



MVSY-100

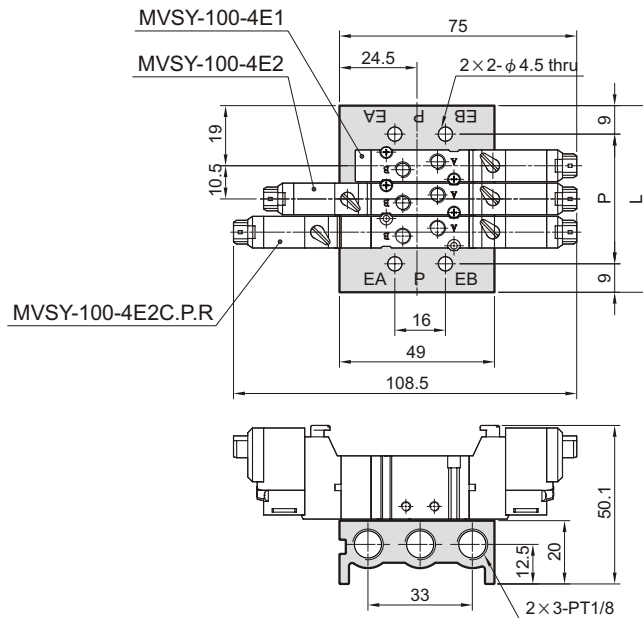
SOLENOID VALVE



Manifold of solenoid valve:

5B*

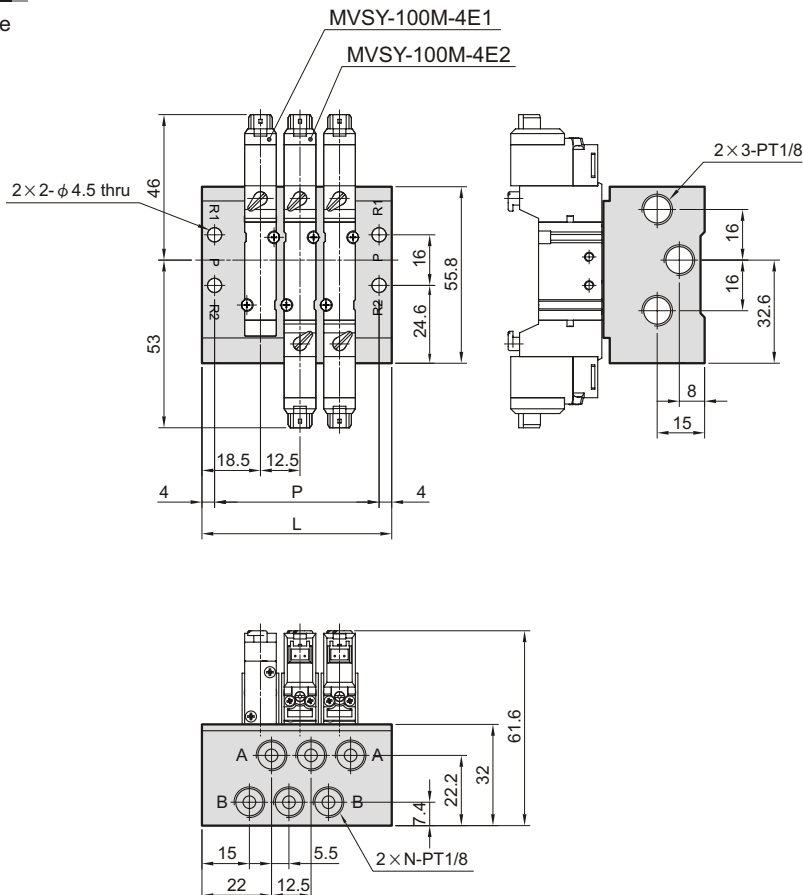
For body ported type



No. of stations (N)	P	L
2	30.5	48.5
3	41	59
4	51.5	69.5
5	62	80
6	72.5	90.5
7	83	101
8	93.5	111.5
9	104	122
10	114.5	132.5

5M*

For manifold type



No. of stations (N)	P	L
2	39.5	47.5
3	52	60
4	64.5	72.5
5	77	85
6	89.5	97.5
7	102	110
8	114.5	122.5
9	127	135
10	139.5	147.5

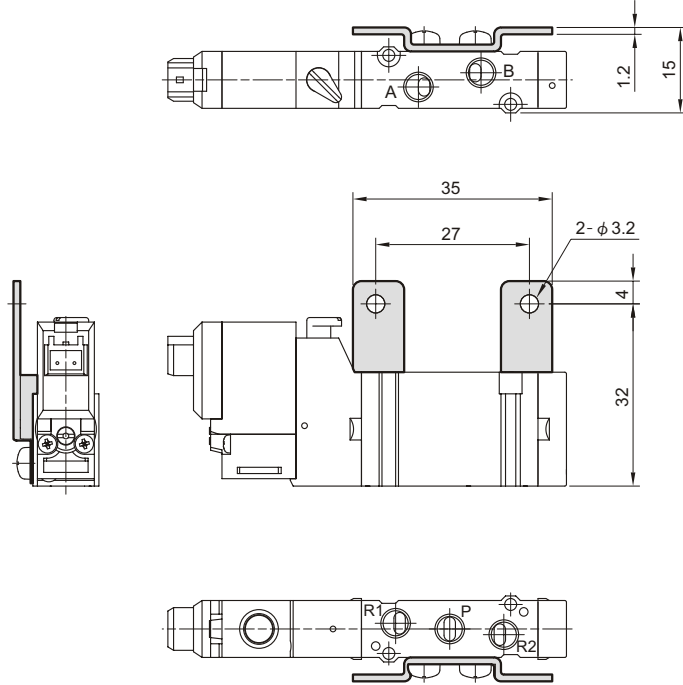
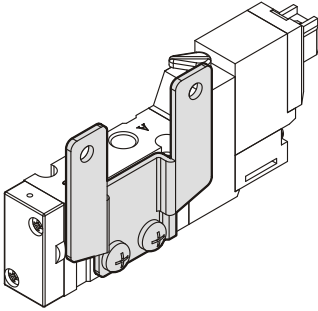
MVSY-100

SOLENOID VALVE



Mounting bracket:

1A



2A

