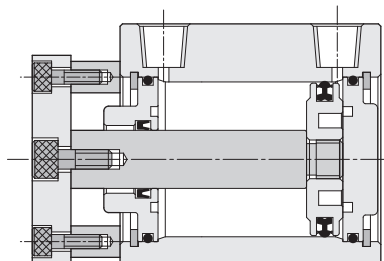
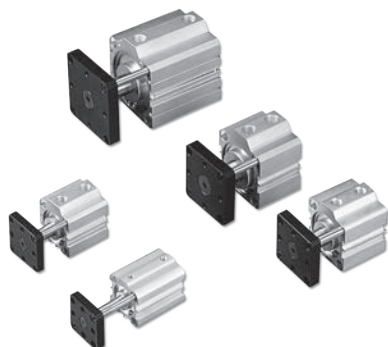


JTD series - Twin-guide cylinder

Stroke table and Ordering expression

CHELIC PNEUMATIC

Internal structure



NA
Cartridge
Cylinder

NA2
Cartridge
Cylinder

NB
Cartridge
Cylinder

NU
Free Mount
Cylinder

ND
Free Mount
Cylinder

NQ
Free Mount
Cylinder

MSI
Mini
Compact
Cylinder

JD
Compact
Cylinder

JG
Compact
Cylinder

JTD
Twin-Guide
Cylinder

JTF
Twin-Guide
Cylinder

JCB
Twin-Guide
Cylinder

JCF
Twin-Guide
Cylinder

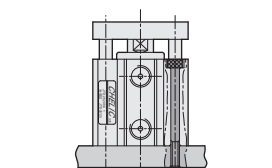
JE
Compact
Cylinder

Standard stroke

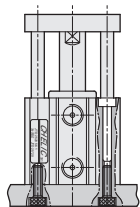
Bore size (mm)	Standard type (Without magnet)									Standard type (With magnet)							
	10	20	30	40	50	60	75	85	100	10	20	30	40	50	65	75	90
20	●	●	●	●	●	●	—	—	—	●	●	●	●	●	—	—	—
25	●	●	●	●	●	●	—	—	—	●	●	●	●	●	—	—	—
32	●	●	●	●	●	●	●	—	—	●	●	●	●	●	●	—	—
40	●	●	●	●	●	●	●	—	—	●	●	●	●	●	●	—	—
50	●	●	●	●	●	●	●	●	●	●	●	●	●	●	●	●	●
63	●	●	●	●	●	●	●	●	●	●	●	●	●	●	●	●	●

Note : Non-standard stroke is special made, calculate at the multiple of 10 and use the decimal system length inner processing treatment.

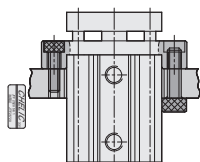
Mounting type (Reference)



● Vertical mounting type



● Bottom mounting type

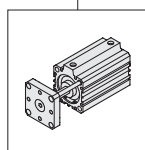


● Flange mounting type

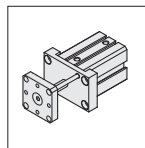
How to order

JTD — **50** × **32** — **S E 2**

Model Bore size Stroke Sensor switch



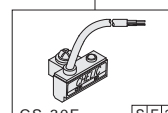
JTD :
Twin-guide cylinder



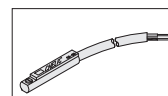
JTF :
Twin-guide cylinder
(Flange type)

20 - Ø20 mm
25 - Ø25 mm
32 - Ø32 mm
40 - Ø40 mm
50 - Ø50 mm
63 - Ø63 mm

Ø20-10 - 60 mm
Ø25-10 - 60 mm
Ø32-10 - 75 mm
Ø40-10 - 75 mm
Ø50-10 - 100 mm
Ø63-10 - 100 mm



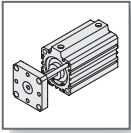
CS-30E [S][E][2]
None : Without magnet
[S] : With magnet
[E] : Sensor switch code (CS-30E)
[2] : Number of sensor switch
1 = 1 PCS
2 = 2 PCS



CS-9D [S][D][2]
None : Without magnet
[S] : With magnet
[D] : Sensor switch code (CS-9D)
[B] : Sensor switch code (CS-9B)
[2] : Number of sensor switch
1 = 1 PCS
2 = 2 PCS

Note

● S : With magnet mark " S "

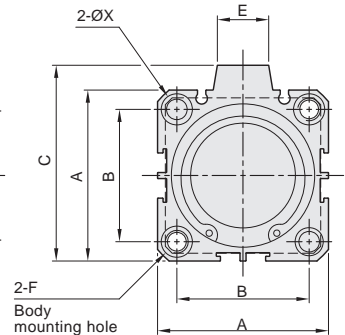
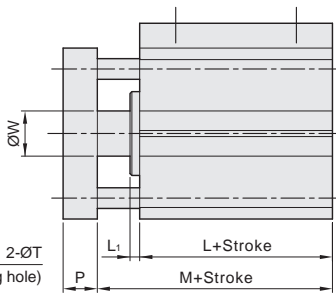
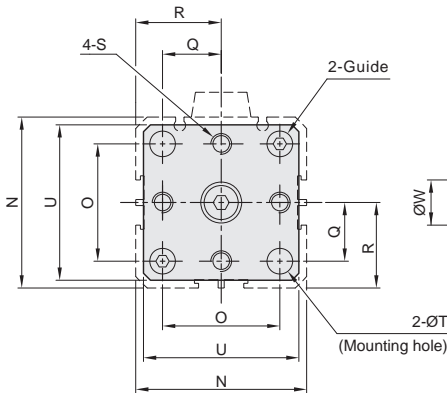
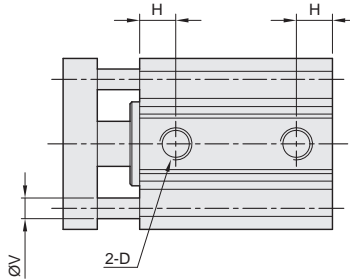


JTD series - Twin-guide cylinder

External dimension

CHELIC PNEUMATIC

► JTD Ø20 ~ Ø63



Bore size	A	B	C	D	E	F	H
20	34	24	—	M5x0.8P	—	Thru-hole Ø4.3 ,Thread M5x0.8Px6 dp ; Pole hole Ø7x5 dp	7.5
25	40	28	—	M5x0.8P	—	Thru-hole Ø5.1 ,Thread M6x1Px8 dp ; Pole hole Ø8x6 dp	8
32	44	34	50	PT 1/8	13.6	Thru-hole Ø5.1 ,Thread M6x1Px8 dp ; Pole hole Ø8x6 dp	9
40	52	40	58	PT 1/8	13.6	Thru-hole Ø6.8 ,Thread M8x1.25Px11 dp ; Pole hole Ø9.5x8 dp	10
50	62	48	71	PT 1/4	19	Thru-hole Ø6.8 ,Thread M8x1.25Px10 dp ; Pole hole Ø11x8.5 dp	10.85
63	75	60	84.5	PT 1/4	20.5	Thru-hole Ø6.8 ,Thread M8x1.25Px10 dp ; Pole hole Ø11x8.5 dp	11

Bore size	L	L1	M	N	O	P	Q	R	S	T	U	V	W	X
20	29.5	1.5	35	34	24	8	12	17	M6x1.0P	6.5	33	5	8	5.5
25	31.2	1.9	37.2	40	28	8	14	20	M6x1.0P	6.5	39	6	10	6.5
32	34	3.3	41.5	44	34	10	17	22	M6x1.0P	6.5	43	6	12	6.5
40	36.5	3.3	44	52	40	12	20	26	M8x1.25P	9	51	8	16	9
50	38.6	3.9	47.6	62	48	14	24	31	M8x1.25P	9	61	8	20	8.5
63	42.5	3.8	51.5	75	60	14	30	37.5	M8x1.25P	9	74	8	20	8.5

Note : L, M dimension are the spec. with magnet. Without magnet, the length of body reduces 10mm.