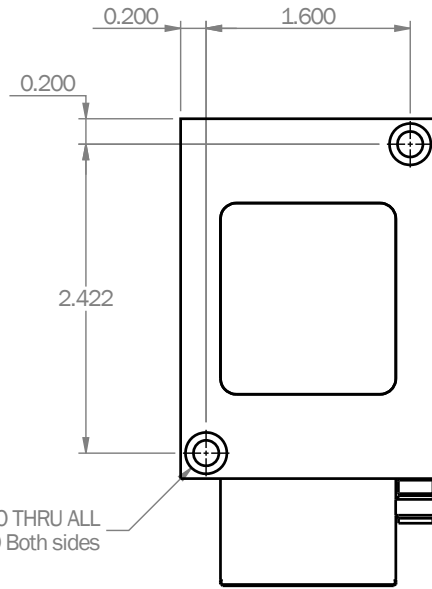
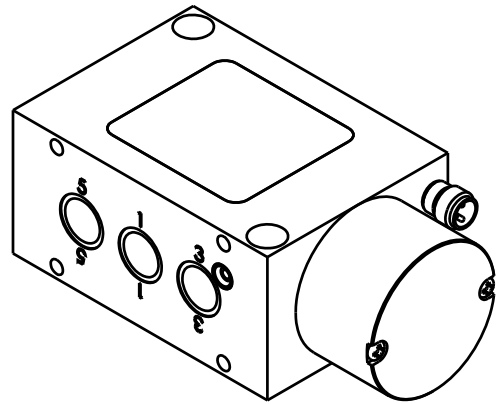


DCN: DCN0110  
 Change: Redrawn in Solidworks

Changed: 01/08/14  
 B Grabowski

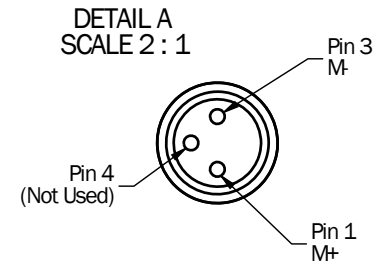
Approved: 04/02/14  
 J Gamble



2 x  $\varnothing$  0.200 THRU ALL  
 $\varnothing$  0.325  $\nabla$  0.250 Both sides

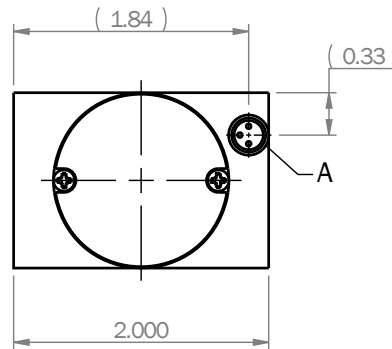
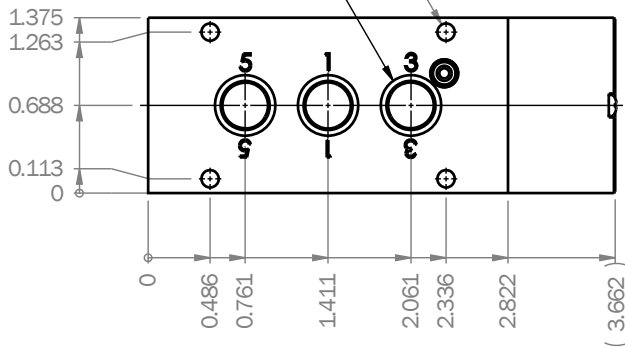
Notes:

1. Refer to LS-V15s operating manual for wiring setup & operating procedures.
2. M8 x 1mm connector compatible with Enfield Technologies Cable: A-CBL-M8-03P-F-XXXX
3. All pneumatic connections 1/8" NPTF.
4. Recommended mounting screws: 8-32 x 1.50 SHCS



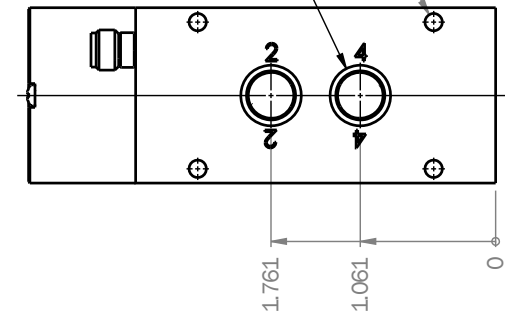
4 x  $\varnothing$  0.136  $\nabla$  0.340  
 8-32 UNC  $\nabla$  0.250

See: Note 3



4 x  $\varnothing$  0.136  $\nabla$  0.340  
 8-32 UNC  $\nabla$  0.250

See: Note 3



Standard Third Angle Projection  
 Units: inch  
 Unless specified otherwise:  
 0.00 =  $\pm$ 0.010  
 0.000 =  $\pm$ 0.005  
 0.0000 =  $\pm$ 0.0005  
 Angles =  $\pm$ 0.5°  
 Break Sharp Edges

Drawing Name:

LS-V15s-OUTL  
 High-speed proportional valve

Material:  
 N/A

Finish:  
 N/A

Drawn: B Grabowski

Date: 09/09/13

Rev: B

Model: V15 Project:

Size: A Scale: 2:3 Sheet 1 of 1

**ENFIELD TECHNOLOGIES**  
 35 Nutmeg Drive  
 Trumbull, CT 06611  
 (203) 375-3100  
 www.enfieldtech.com  
 This information is proprietary to Enfield Technologies and may be further protected by trademarks, copyrights, or patents.