

# PRODUCT INFORMATION PACKET



Model No: C143C17FK1 D

Catalog No: 121680.00

1HP..1740RPM.143.TEFC./V.1PH.60HZ.CONT.NOT.40C.1.15SF.RIGID C.GENERAL  
PURPOSE.C143C17FK1D

Totally Enclosed Fan Cooled (TEFC)



Regal and Leeson are trademarks of Regal Beloit Corporation or one of its affiliated companies.

©2018 Regal Beloit Corporation, All Rights Reserved. MC017097E





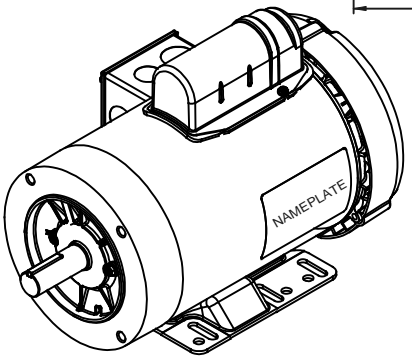
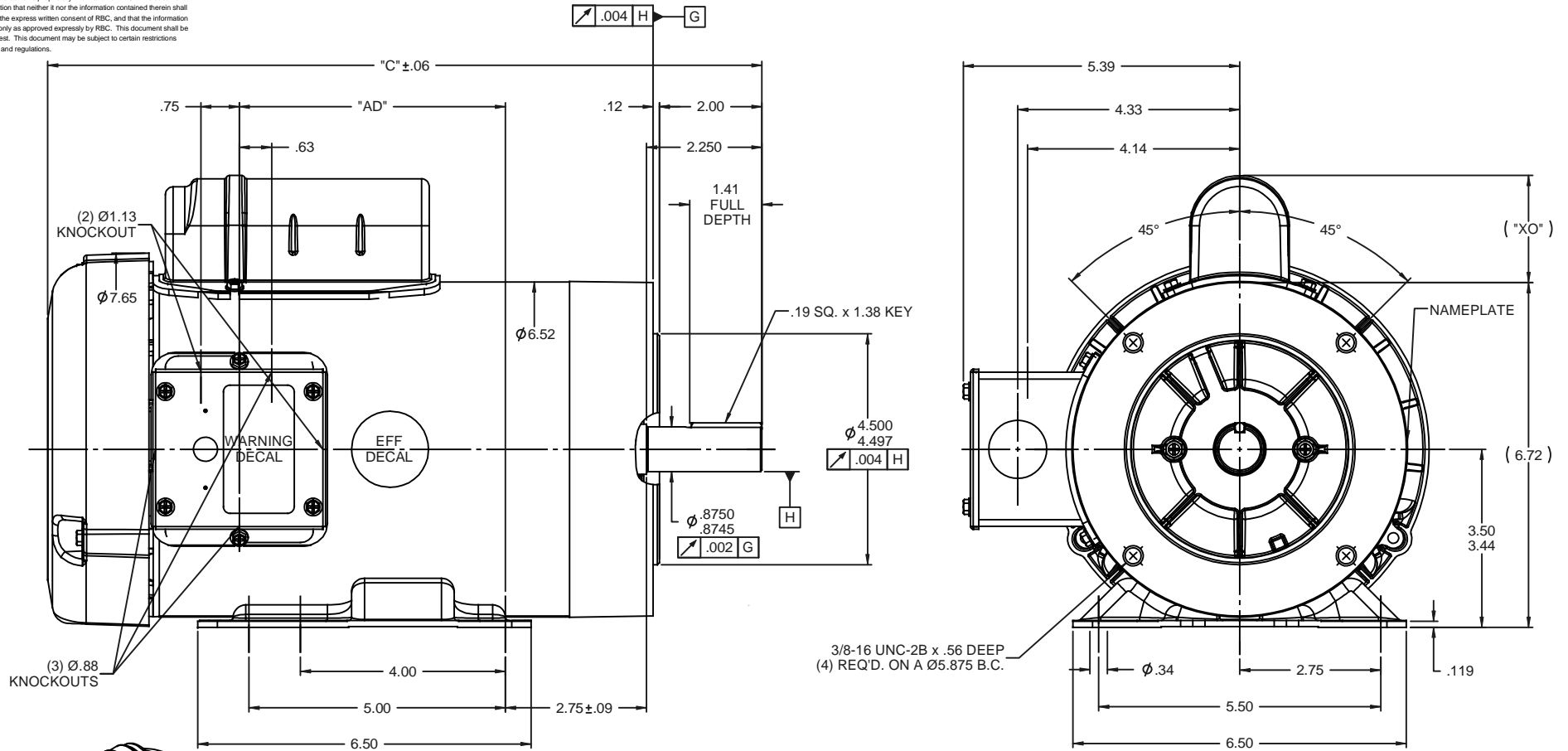
### Nameplate Specifications

|                            |                                    |                        |                      |
|----------------------------|------------------------------------|------------------------|----------------------|
| Output HP                  | <b>1 Hp</b>                        | Output KW              | <b>0.75 kW</b>       |
| Frequency                  | <b>60 Hz</b>                       | Voltage                | <b>115/208-230 V</b> |
| Current                    | <b>12.8/6.4 A</b>                  | Speed                  | <b>1740 rpm</b>      |
| Service Factor             | <b>1.15</b>                        | Phase                  | <b>1</b>             |
| Efficiency                 | <b>75 %</b>                        | Duty                   | <b>Continuous</b>    |
| Insulation Class           | <b>B</b>                           | Design Code            | <b>N</b>             |
| KVA Code                   | <b>K</b>                           | Frame                  | <b>143TC</b>         |
| Enclosure                  | <b>Totally Enclosed Fan Cooled</b> | Overload Protector     | <b>No</b>            |
| Ambient Temperature        | <b>40 °C</b>                       | Drive End Bearing Size | <b>6205</b>          |
| Opp Drive End Bearing Size | <b>6203</b>                        | UL                     | <b>Recognized</b>    |
| CSA                        | <b>Y</b>                           | CE                     | <b>N</b>             |
| IP Code                    | <b>43</b>                          |                        |                      |

### Technical Specifications

|                       |                                      |                       |                                   |
|-----------------------|--------------------------------------|-----------------------|-----------------------------------|
| Electrical Type       | <b>Capacitor Start Induction Run</b> | Starting Method       | <b>Across The Line</b>            |
| Poles                 | <b>4</b>                             | Rotation              | <b>Selective Counterclockwise</b> |
| Mounting              | <b>Rigid base</b>                    | Motor Orientation     | <b>HORIZONTAL</b>                 |
| Drive End Bearing     | <b>BALL</b>                          | Opp Drive End Bearing | <b>BALL</b>                       |
| Frame Material        | <b>Rolled Steel</b>                  | Shaft Type            | <b>NEMA 56</b>                    |
| Overall Length        | <b>13.43 in</b>                      | Frame Length          | <b>7.50 in</b>                    |
| Shaft Diameter        | <b>0.875 in</b>                      | Shaft Extension       | <b>2.25 in</b>                    |
| Assembly/Box Mounting | <b>F1 ONLY</b>                       |                       |                                   |
| Outline Drawing       | <b>028897-750B</b>                   | Connection Diagram    | <b>005005.01</b>                  |

RBC PROPRIETARY AND CONFIDENTIAL INFORMATION  
 This document is the property of REGAL BELOIT CORPORATION ("RBC") including its subsidiaries and divisions and contains proprietary information of RBC. This document is loaned on the express condition that neither it nor the information contained therein shall be disclosed to others without the express written consent of RBC, and that the information shall be used by the recipient only as approved expressly by RBC. This document shall be returned to RBC upon its request. This document may be subject to certain restrictions under U.S. export control laws and regulations.



| DASH NO. | "C"   | "AD" | CAP. DASH | "XO" |
|----------|-------|------|-----------|------|
| 650      | 12.43 | 3.69 | A         | 1.54 |
| 700      | 12.93 | 4.19 | B         | 2.01 |
| 750      | 13.43 | 4.69 | C         | 2.25 |
| 800      | 13.93 | 5.19 |           |      |
| 850      | 14.43 | 5.69 |           |      |

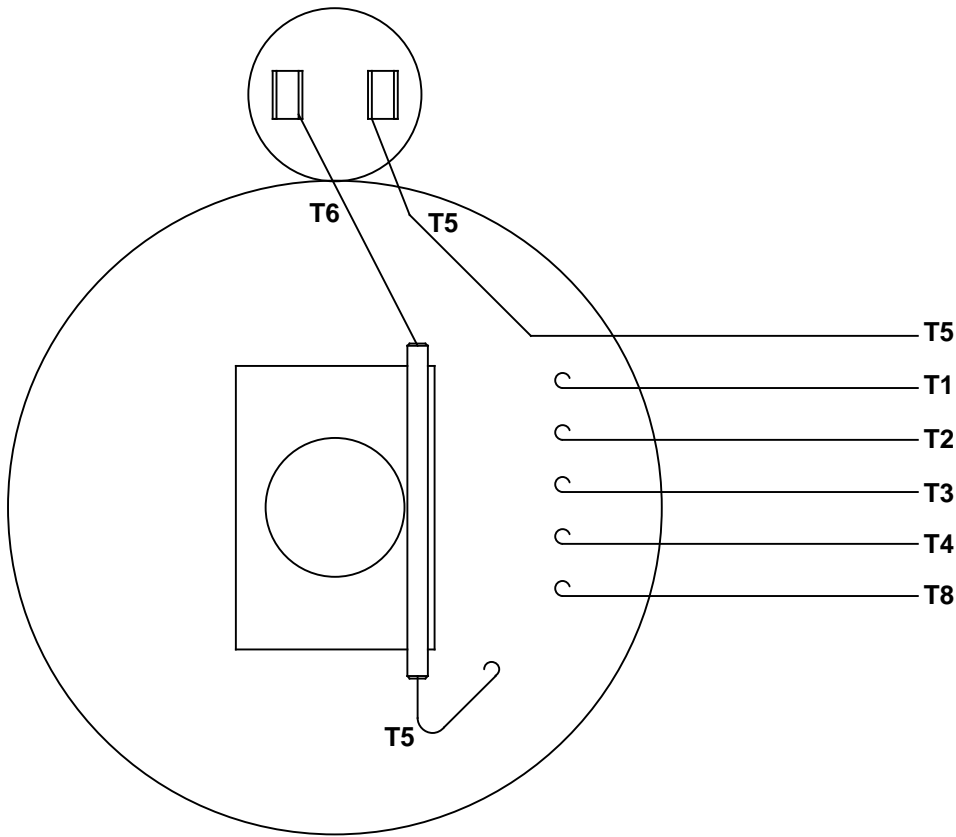
NOTES:  
 1) GASKETS THROUGHOUT

| REVISION                     |  | BY & DATE    | CHK ANG ±1/2° | FINISH                     | SCALE | PAGE               | OF | REV |
|------------------------------|--|--------------|---------------|----------------------------|-------|--------------------|----|-----|
| THIRD ANGLE PROJECTION       |  | RFP 10/30/08 | RFP           | PREV                       | 1:2   | 1                  | 1  |     |
| TOLERANCES UNLESS SPECIFIED: |  |              |               | TITLE OUTLINE - 140T FRAME |       | DRAWN GRB 10/30/08 |    |     |
| DEC INCHES                   |  |              |               | TEFC - RIGID "C"           |       | CHK DJ 10/30/08    |    |     |
| X ±.1                        |  |              |               | MATL GENERAL PURPOSE       |       | APPR               |    |     |
| .XX ±.03                     |  |              |               |                            |       | REF 028655         |    |     |
| .XXX ±.005                   |  |              |               |                            |       | FMF 121008.00      |    |     |
| .XXX ±.005                   |  |              |               |                            |       | PAGE 1 OF 1        |    |     |
| NO                           |  |              |               | NETWORK FILE NAME          |       | DRAWING NO         |    |     |
|                              |  |              |               | B                          |       | 028897             |    |     |

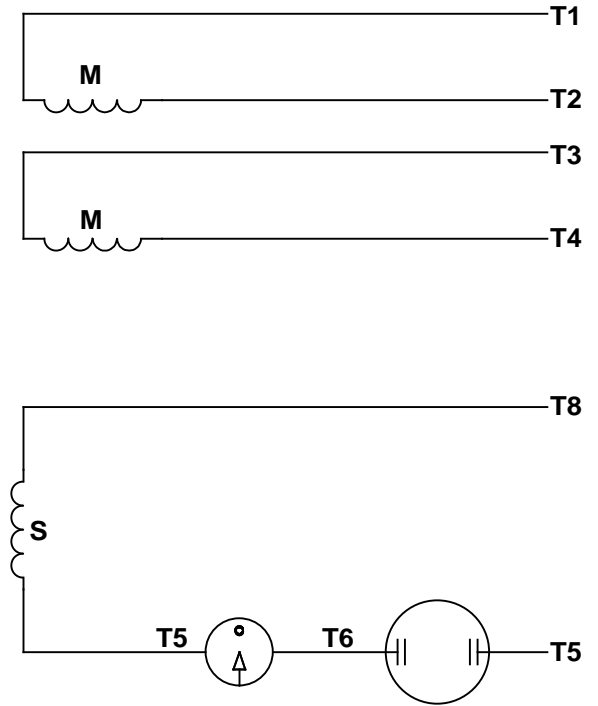


**ELECTRIC MOTORS  
 GEARMOTORS  
 AND DRIVES**

VIEW FROM OUTSIDE OF MOTOR AT SWITCH END.



LINE LEADS



RBC PROPRIETARY AND CONFIDENTIAL INFORMATION  
 This document is the property of REGAL BELOIT CORPORATION ("RBC") including its subsidiaries and divisions and contains proprietary information of RBC. This document is loaned on the express condition that neither it nor the information contained therein shall be disclosed to others without the express written consent of RBC, and that the information shall be used by the recipient only as approved expressly by RBC. This document shall be returned to RBC upon its request. This document may be subject to certain restrictions under U.S. export control laws and regulations.

|           | ROTATION FACING LEAD END | L1         | L2         | JOIN       |
|-----------|--------------------------|------------|------------|------------|
| HIGH VOLT | C.C.W.                   | T1         | T4, T5     | T2, T3, T8 |
|           | C.W.                     | T1         | T4, T8     | T2, T3, T5 |
| LOW VOLT  | C.C.W.                   | T1, T3, T8 | T2, T4, T5 | -----      |
|           | C.W.                     | T1, T3, T5 | T2, T4, T8 | -----      |

|                        |   |              |                             |              |  |                                       |                      |
|------------------------|---|--------------|-----------------------------|--------------|--|---------------------------------------|----------------------|
| --                     | REDRAWN IN SOLIDWORKS                     | VJB 02/16/11 | TOLERANCES UNLESS SPECIFIED |              | <b>LEESON</b>  | ELECTRIC MOTORS GEARMOTORS AND DRIVES | DRAWN ADH 08/06/73   |
| 27                     | UPDATED TO CURRENT STANDARDS              | DBT 05/27/97 | DEC                         | INCHES       |  |                                       | CHK                  |
| 26                     | ADDED PAGE 32 (114787) & PAGE 33 (114788) | KAZ 12/20/95 | PG                          | .X ±.1       | TITLE EXTERNAL WIRING DIAGRAM TYPE "C" W/O PROTECTOR |                                       | APPR JCW 03/09/79    |
| 25                     | ADDED PAGE 31                             | KAZ 04/19/95 | DL                          | .XX ±.01     | MAT'L DECAL - 004012                                 |                                       | SCALE 1:1            |
| 24                     | ADDED PAGES 29 & 30                       | KMM 03/30/95 | DL                          | .XXX ±.005   | FINISH   |                                       | REF FIG 2-23 C4A     |
| 23                     | ADDED PAGE 28                             | KMM 01/27/95 |                             | .XXXX ±.0005 | RFP  |                                       | FMF MGI-2.4B         |
| NO                     | REVISION                                  | BY & DATE    | CHK                         | ANG ±1/2°    | PREV   |                                       | PAGE OF              |
| THIRD ANGLE PROJECTION |   |              | RFP                         |              | SIZE A   |                                       | DRAWING NO 005005-01 |
|                        |   |              | NETWORK FILE NAME 00500501  |              | REV --   |                                       |                      |



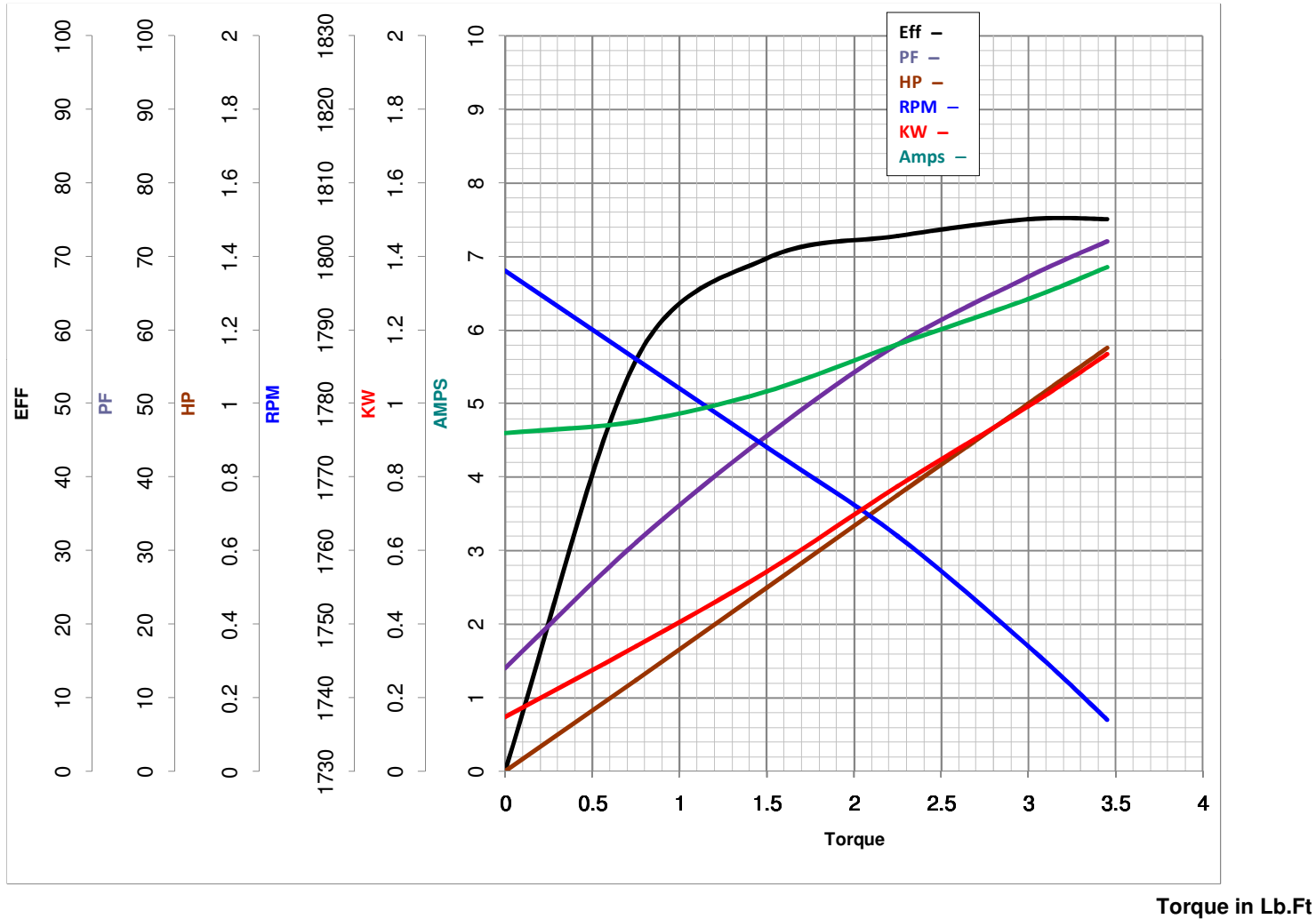
**LEESON ELECTRIC CORPORATION**  
 TYPICAL PERFORMANCE CURVE for AC MOTOR

Model No 121680.00

Curve at 230 Volts HP 1.00 PHASE 1  
60 HZ  
1 HP VOLTS 115/208-230

Catalog No 121680.00

HZ 60 RPM 1740



FL TORQUE 3 Lb.Ft  
 BD TORQUE 7.0 Lb.Ft  
 LR TORQUE 19 Lb.Ft

FL AMPS 12.8/6.4  
 PU TORQUE 6.7 Lb.Ft  
 LR AMPS 33

WINDING C634256-3

Date 3/26/2018