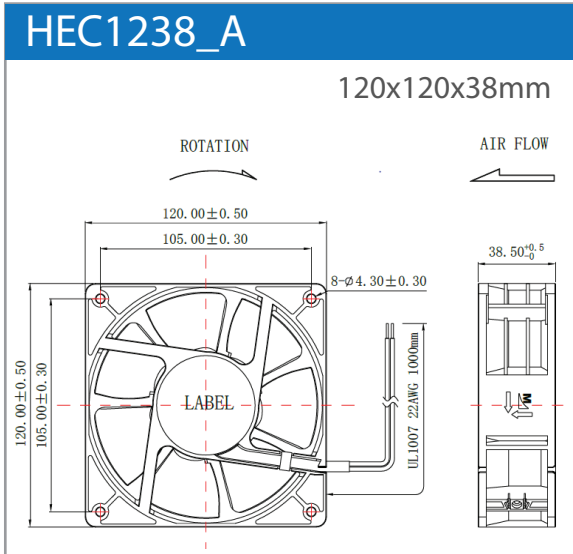
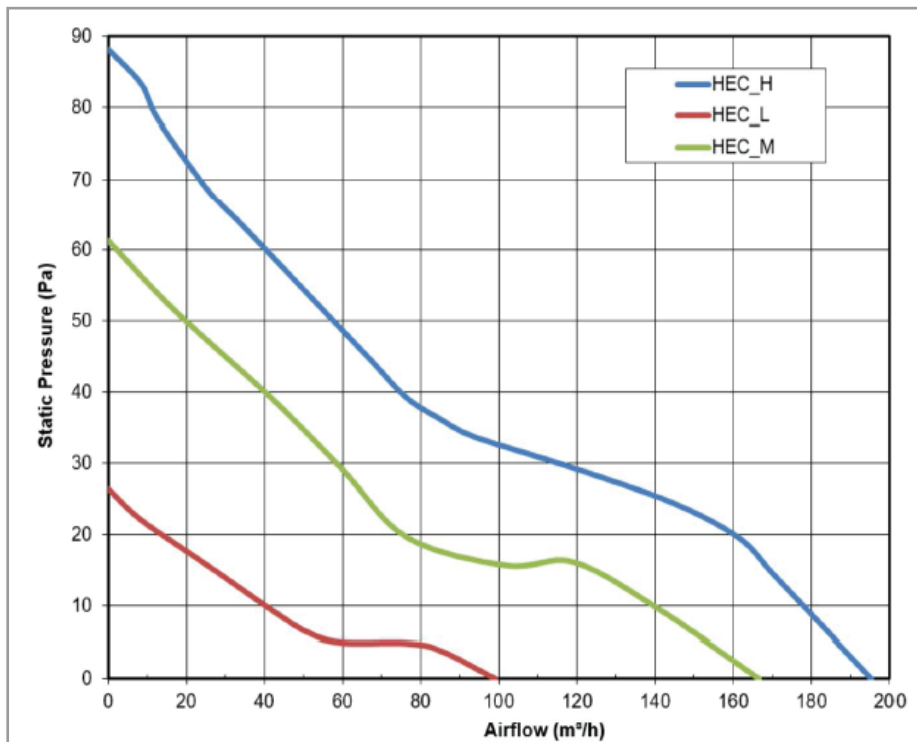


## EC ATEX IP68 Axial Compact Fan Technical Information



- Casing Material:** Thermoplastic UL 94V-0/Black
- Impeller Material:** Thermoplastic UL 94V-0/Black
- Motor Protection:** Locked Rotor Protected
- Rotation:** Clockwise (from label side)
- Storage Temperature:** -40°C to +70°C
- Operating Temperature:** -30°C to +70°C
- Lifetime (L10 at 40°C):** 70,000hrs
- Electrical Connection:** 2x Lead Wires
- Bearings:** 2x Ball Bearings
- Safety Approvals:** CE, ATEX

**Ex** II 3G Ex ec IIC Gc



Model	Voltage (V)	Voltage Range (V)	Speed (rpm)	Rated Current (A)	Rated Power (Wa)	Max. Air Flow (m³/h)	Max Pressure (Pa)	Noise (dB(A))
HEC1238HA	115/230	85-265	3000	0.16	5.8	196	88	45
HEC1238MA	115/230	85-265	2600	0.1	4.5	166	61	39
HEC1238LA	115/230	85-265	1700	0.06	2	99	26	25