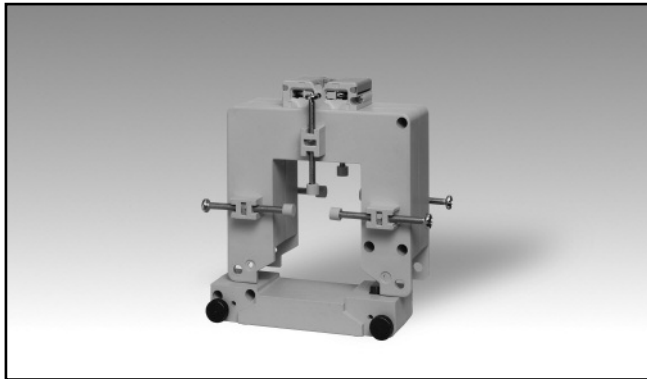


Accessories

AC Split-Core Current Transformer

Type CTD-6S (max 50x52 mm)



- Bus-bar type split core current transformer
- Class 1 accuracy
- Currents from 150 A to 1000 A
- Up to 6 Bus-bar isolated fixing screws
- Double screw terminals (up to 8-wire connections)
- Sealable terminal block covers
- Sealable fixing split-core screws

Product Description

Split-core current transformer with bus-bar mounting facility. Rated primary currents from 150 A to 1000 A.

Ordering Key **CTD-6S 1000 5A XXX**



Type Selection

| Primary current | Secondary current | Option |
|--|-----------------------|--|
| From 150A to 1000A (Refer to the Range Table) | 1A (on request) 5A | XXX: none XTX: tropicalization (on request) |

Input Specifications

| | |
|--|--|
| Operating frequency | 48 to 62 Hz |
| Max. system voltage | 0.72 kV |
| Rated insulation level | 3 kV/1 min. @ 50 Hz |
| Insulation class | E (max 75°C) |
| Short-time current rating I_{th} I_{dyn} | Typical 100 I_n / 1 s 2.5 I_{th} The short-time thermal current I_{th} is anyway limited by the cable/bus-bar size |
| Extended current rating | 120% |
| Security factor (FS) | ≤ 5 (Class: 1 and 3) |

| | |
|--|---|
| Working temperature | -25°C to +60°C (-13°F to 140°F) (R.H. < 90% non condensing @ 40°C) |
| Storage temperature | -30°C to +70°C (-22°F to 158°F) (R.H. < 90% non condensing @ 40°C) |
| Approvals | CE, cURus and CSA |
| Connection Cable cross section area | Screw type From 1.5 to 6 mm ² Min/Max screws tightening torque relevant to terminal block screws: From 1 to 2 Nm Max screws tightening torque relevant to the cable/bus-bar fixing screws: 0,3 Nm |
| Protection degree | IP00 (without sealable terminal covers) IP20 (with sealable terminal block covers + wire terminals) |
| Cable diameter | Max. 50 mm |
| Bus-bar size | Max. 50x52 mm |
| Weight | From 450 to 700 g |

General Specifications

| | |
|----------------------|--|
| Standards | According to EN61869-2 |
| Housing | ABS, self-extinguishing: UL 94 V-0 |
| Mounting | Bus-bar mounting |
| Standard accessories | Two terminal block screws. Six cable/bus-bar fixing screws. Six plastic caps for cable/bus-bar fixing screws. Two sealable terminal block covers. |
| Special features | 1 A secondary current, Tropicalization |

Output Specifications

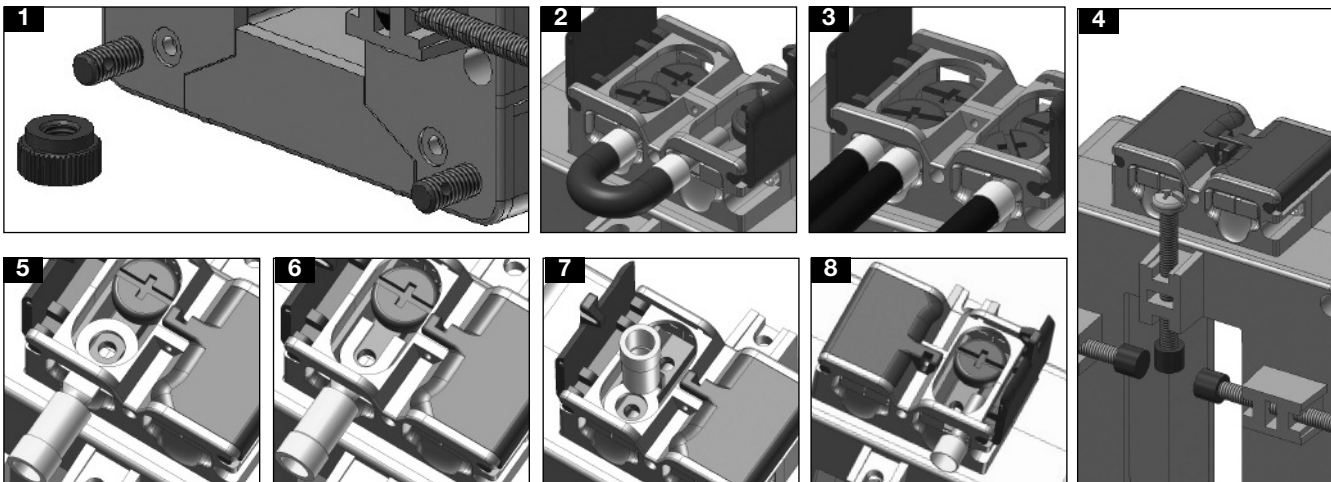
| | |
|-------------------------|------------|
| Rated secondary current | 5 A or 1 A |
|-------------------------|------------|

Range Table

| Model CTD-6S from 150A to 500A | | |
|--------------------------------|-------------|------|
| Primary Current | Burden (VA) | |
| | CL 1 | CL 3 |
| 150 (@60°C/140°F) | - | 1.5 |
| 200 (@60°C/140°F) | 1.5 | 2 |
| 250 (@60°C/140°F) | 1.5 | 3.75 |
| 300 (@60°C/140°F) | 1.5 | 5 |
| 400 (@60°C/140°F) | 2.5 | 5 |
| 500 (@60°C/140°F) | 5 | 10 |

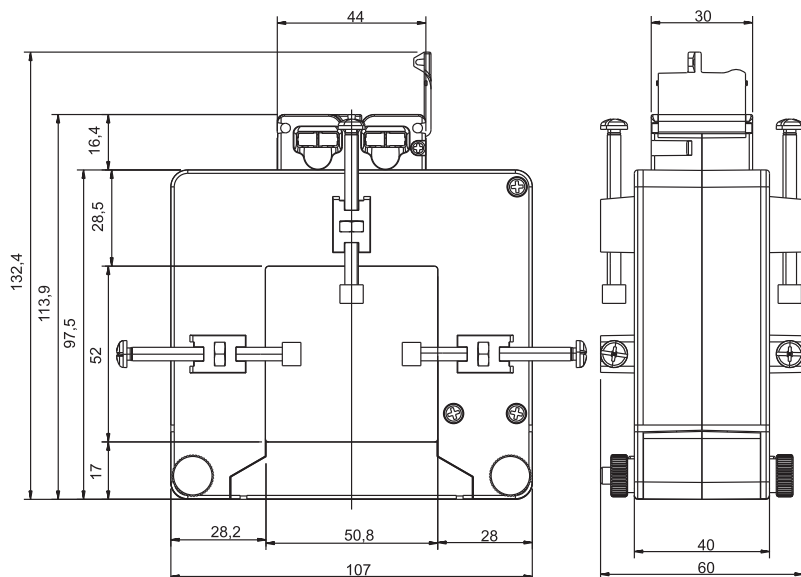
| Model CTD-6S from 600A to 1000A | | |
|---------------------------------|-------------|------|
| Primary Current | Burden (VA) | |
| | CL 1 | CL 3 |
| 600 (@60°C/140°F) | 7.5 | 15 |
| 700 (@60°C/140°F) | 7.5 | 15 |
| 750 (@50°C/122°F) | 7.5 | 15 |
| 800 (@50°C/122°F) | 10 | 15 |
| 1000 (@50°C/122°F) | 10 | 15 |

Benefits



- Easy way to open and close the CT core by the dedicate selectable screws (see figure 1).
- Bridging of current transformer output without changing the connection of the secondary, so to avoid any output overvoltage during either the maintenance or the installation procedure (see figure 2).
- Easy output and earth connection (see fig. 3).
- Multiple screws provided with isolation cap screws to grant a strong and reliable fixing of the current transformer to the bus-bar (see figure 4).
- Screw terminals compatible with any kind of wire terminals and protection of screw terminals using specific sealable covers to assure always the best safety (see figure 5-6-7-8).

Dimensions (mm)



Wiring Diagram

