



ME Series Electric Actuator Product Guide

The Best Way to Automate Your Process

ME Series Electric Actuators

KEY FEATURES & BENEFITS

- Powder Coated Aluminum Alloy Housing
- NEMA 4/4X/IP67 Enclosure
- Raised Position Indicator
- ISO5211 Compliant Mounting
- Internal Low Power Heater
- Clutchless Manual Override
- Self-Locking Drive
- Permanently Lubricated
- Thermally Protected Motor
- 2 Auxiliary Switches
- Silicone Free

OPTIONAL FEATURES

- Interchangeable ISO5211 Mount
- Interchangeable Drive Inserts
- Positioners
- Extended Duty Motors
- 3 Position Control
- Passive Analog Feedback
- Torque Switches
- Local Control Stations
- 3 phase Motor Control Center
- IP68 Submersible

Clean, Easily Accessible Internal Wiring Layout (2) 10A 125vac Aux Limit Switches Standard Anti-Condensate Heater Standard

(2) 3/4" Conduit Entry Ports

Externally Accessible Adjustable Mechanical Stops

High Efficiency AC & DC Drive Motors

Non-Declutchable Manual Override System Suitable for use with overhead chain-wheel installations

Self Locking Epicyclic Transmission and Low Pull-Force Worm Override Design

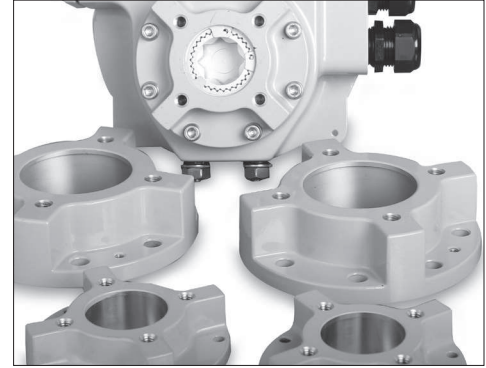


*Features typical of ME 3 Series and larger.

ME Series Electric Actuators, *FEATURES*

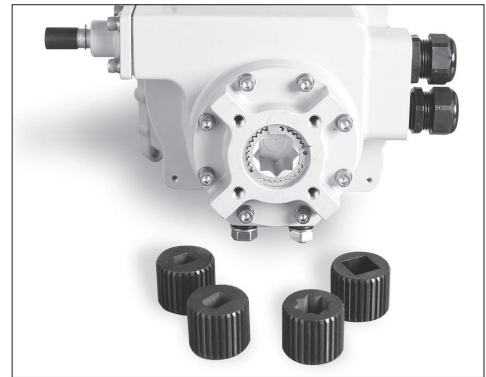
ISO Mounting flange

The bottom of the ME actuators are machined to meet ISO5211 standards. On the ME3 series up through the ME4 series, should a different flange pattern be needed, these models can be fitted with available flanges without any affect on actuator performance. Contact Max-Air Technology for available ISO compliant flanges.



Interchangeable Bushing

ME series actuators are supplied with ISO5211 compliant double-square drive sockets. On the ME3 series up through the ME4 series, the drive socket is removable and can be fitted with a different size or a different shape female drive socket. Available patterns include square, double square, double D and round keyed shafts. Contact Max-Air Technology for available splined drive inserts.



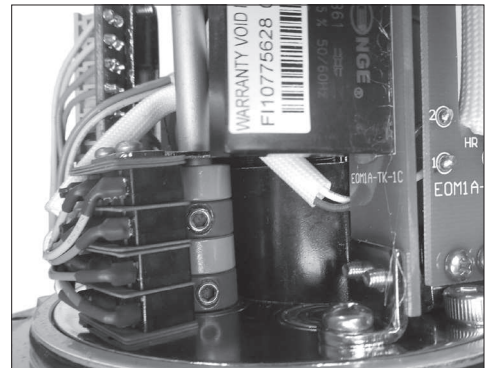
Epicyclic Drive Transmission

Highly efficient, compact transmission technology provides unmatched multiplication of motor torque compared to spur geartrain type systems. Additionally, the final drive output utilizes worm gear geometry to provide self-locking gearsets without any type of braking required to hold the connected device in position. This technology also allows a manual override system which does not require any type of declutching mechanism.



Color Coded Cam System

Easily accessible travel and auxiliary switch cams are color coded to provide instant recognition of the CW or CCW cams when making stroke adjustments. Cam positions are easily changed by utilizing 2.5mm setscrews across the entire ME range of actuators.



ME Series Electric Actuator Part Number Matrix

MODEL	TYPE	FRAME SIZE & TQR		VOLTAGE		OPTIONS 1-2		LCS OPTION		
M	EM	33H		24VA		TS		CK		
Quarter-Turn Type	ES	Electric On/Off/Jog	15	266"lb	12VD	12vdc		None		None
	EC	2 Position Relay Close	22	310"lb	12AD	12vac/vdc	TS	Torque Switches No Other Options	CK	IP65 Round Knob/Key Type
	EO	2 Position Relay Open	22H	310"lb HW	12VA	12vac	ED	Extended Duty No Other Options	CP	IP67 Round Pushbutton
	EM	Electric 4-20mA In/Out	23	440"lb	24VD	24vdc	20	No Other Options Internal Battery Backup	CL	IP67 Rectangular LED Display
	EV	Electric 2-10vdc In/Out	23H	440"lb HW	24AD	24vac/vdc	T2	Torque Switches Internal Battery Backup	CD	IP67 Rectangular LCD Display
	ET	0°-45°-90° Control	32H	880"lb	24VA	24vac	30	No Other Options Internal Supercap Backup	CM	IP67 Round Softset/Wireless Non-Intrusive
	EE	0°-90°-180° Control	33H	1770"lb	120A	120vac	T3	Torque Switches Internal Supercap Backup		
	EQ	4 Position Unidirectional	42H	3570"lb	230A	230vac	TE	Torque Switches Extended Duty		
	EH	Honeywell 0-135ohm In	43H	5510"lb						
	EW	Modbus RTU	44H	7080"lb	3 Phase solutions		3 Phase solutions must include one of the options below			
	EX	Profibus DCP	45H	8850"lb	2303	230/3/60	OR1	XTS, XREV, XPP - Level 1 use w/ existing MCC		
			46H	15040"lb	3153	315/3/60	TR1	TS, XREV, XPP - Level 1 use w/ existing MCC		
		47H	20350"lb	3803	380/3/60	OY2	XTS, XREV, XPP - Level 2 use w/ existing MCC			
		52H	30970"lb	4403	440/3/60	TY2	TS, XREV, XPP - Level 2 use w/ existing MCC			
		53H	44250"lb	4803	480/3/60	OM3	XTS, XREV, XPP - Level 3 Stand-alone, Full MCC			
		62H	70800"lb	5753	575/3/60 (limited availability)	TM3	TS, XREV, XPP - Level 3 Stand-alone, Full MCC			
		72H	115000"lb			TM4	XTS, XREV, XPP - Level 4 LCS, Round, Knob, Full MCC			
		73H	140000"lb			TM5	TS, XREV, XPP - Level 5 LCS, Round, Push Btn, Full MCC			
		74H	177000"lb			TM6	TS, XREV, XPP - Level 6 LCS, Rect, LCS, Full MCC			
						TM7	TS, XREV, XPP - Level 7 LCS, Rect, LCD, Full MCC			
						TM8	TS, XREV, XPP - Level 8 LCS, Smart, Full MCC			

Some combinations of options are not possible, contact Max-Air Technology for questions





ME1 Series ON/OFF/PROPORTIONAL ELECTRIC ACTUATORS

Overview

The ME1 Series are quarter-turn electric industrial service actuators delivering 266 lbf-in torque in voltages ranging from 24v up through 230v in on/off or proportional control modes. Other Key Features include:

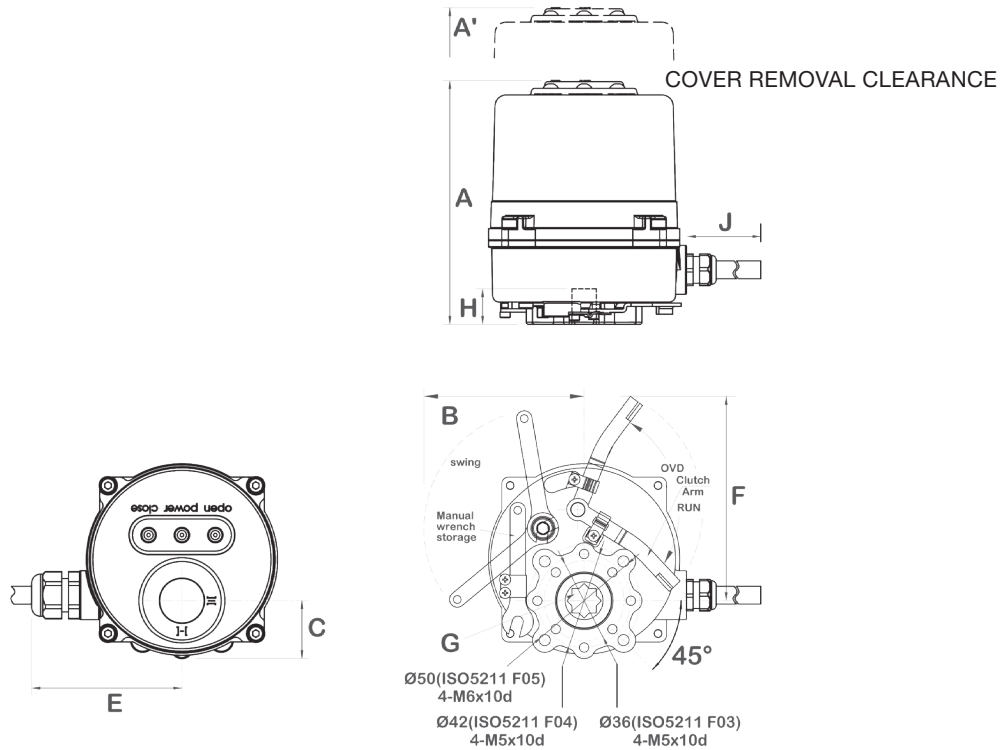
- Equipped with two (2) volt-free Form A Auxiliary switches rated at up to 1A 250vac (on/off models only)
- Proportional models have 4-20mA or 2-10vdc feedback output standard
- ISO5211 compliant with an 11mm double square female drive
- Furnished with a 39" (1M) cable to facilitate field connections outside the compact enclosure
- Low profile visual position indicator and three flush mounted LEDs allow at-a-glance position indication
- Manual override lever and 8mm access shaft at the bottom of the actuator housing
- NEMA 4X/IP67 compliant
- PG6 EMT entry port with sealed cable gland

TECHNICAL INFORMATION

ACTUATOR SPECIFICATIONS		ME 1
24VAC - 24VDC	Torque Output (lbf-in / Nm)	266 / 30
	Current Draw (Start / Run / LRA)	2.1A / 1.2A / 2.3A
	Speed (90°) DC, seconds	11
	Motor - 24vdc Perm Magnet Brush Type	10W
	Duty Cycle (on/off / mod)	75%
	Motor Starts, per hour, Max	1200
120V	Motor Class	Class B
	Current Draw (Start / Run / LRA)	.39A / .36A / .48A
	Speed (90°) 60Hz / 50Hz, seconds	11
	Motor - 120vac Split-Phase Cap TENV	10W
	Duty Cycle (on/off / mod)	25% / 75%
	Motor Starts, per hour, Max	1200
230V	Motor Class	Class B
	Current Draw (Start / Run / LRA)	.23A / .21A / .28A
	Speed (90°) 60Hz / 50Hz, seconds	11
	Motor - 230vac Split-Phase Cap TENV	10W
	Duty Cycle (on/off / mod)	25% / 75%
	Motor Starts, per hour, Max	1200
All	Motor Class	Class B
	Control	On/Off or Proportional
	Electrical Entry (1)	PG6 Nylon Gland with 39" 11C-24 Cable On/Off or 9C-24 Proportional
	Manual Override	Bottom Mounted 8mm Hex Shaft
	Ambient Operating Range	-22°F to +158°F (-30°C to +70°C)
	Humidity Range	0-95% RH
Altitude Limit	9850 ft / 3000 m	

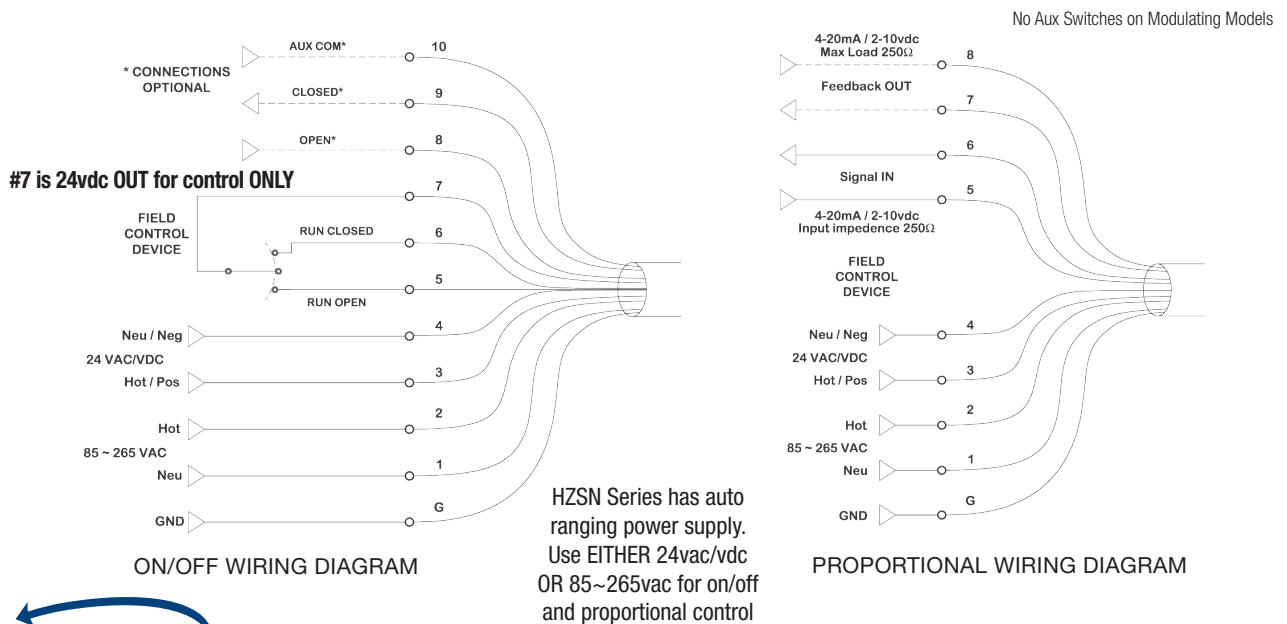
ME1 Series Electric Actuators

TECHNICAL INFORMATION, CONTINUED



DIMENSIONS

MODEL	A in/mm	A' in/mm	B in/mm	C in/mm	E in/mm	F in/mm	G in/mm	H in/mm	J in/mm	WEIGHT lbs/kg
ME 1	4.33/110	2.95/75	2.83/72	1.00/25	2.75/70	3.72/95	.433/11	.630/16	39.4/1000	2.2/1.0





ME2 Series ON/OFF/PROPORTIONAL ELECTRIC ACTUATORS

Overview

The ME2 Series are quarter-turn electric industrial service actuators delivering up to 440 lbf-in torque in voltages ranging from 12v up through 230v in on/off or proportional control modes. Other Key Features include:

- Units are equipped with two (2) volt-free Form A Auxiliary switches rated at up to 3A 250vac
- ISO5211 compliant mounting with a double square female drive
- Raised visual position indicator
- Manual override hand wheel is available as an option on 22H & 22H models
- Manual override shaft standard
- NEMA 4X/IP67 compliant
- Two (2) 1/2" EMT entry ports with sealed cable glands

Options

- Battery Backup
- Supercap Backup
- Local Control Stations
- IP68 Submersion

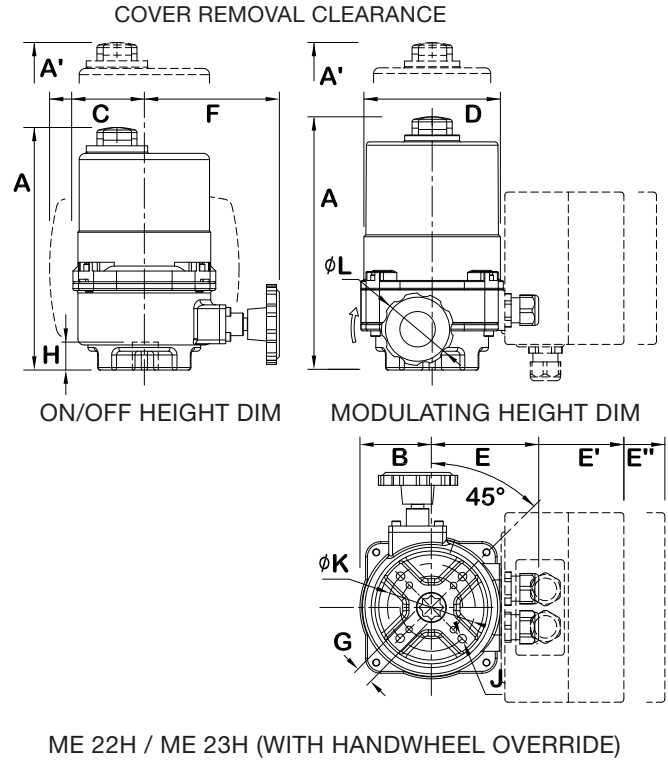
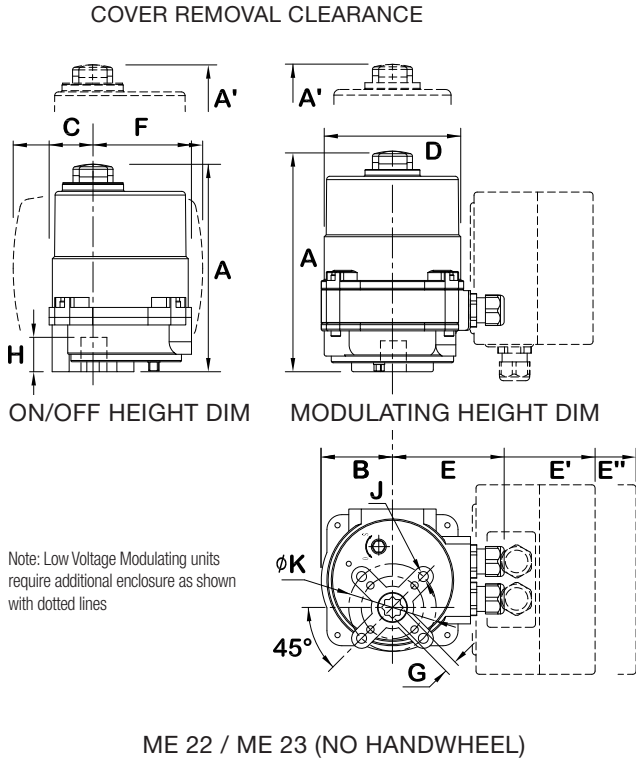
TECHNICAL INFORMATION

ACTUATOR SPECIFICATIONS		ME 22	ME 22H	ME 23	ME 23H
Supply	Torque Output (lbf-in / Nm)	310 / 35	310 / 35	440 / 50	440 / 50
	Current Draw (Start / Run / LRA)	3.5A / 2.0A / 3.8A	3.5A / 2.0A / 3.8A	3.5A / 2.0A / 3.8A	3.5A / 2.0A / 3.8A
12VAC*	Speed (90°) DC, seconds	8	8	10	10
-	Motor - 12vdc Perm Magnet Brush Type	6W	6W	6W	6W
12VDC*	Duty Cycle (on/off / mod)	75%	75%	75%	75%
	Motor Starts, per hour, Max	1200	1200	1200	1200
	Motor Class	Class B	Class B	Class B	Class B
24VAC	Current Draw (Start / Run / LRA)	2.1A / 1.2A / 2.3A	2.1A / 1.2A / 2.3A	2.1A / 1.2A / 2.3A	2.1A / 1.2A / 2.3A
-	Speed (90°) DC, seconds	8	8	10	10
24VDC	Motor - 24vdc Perm Magnet Brush Type	6W	6W	6W	6W
	Duty Cycle (on/off / mod)	75%	75%	75%	75%
	Motor Starts, per hour, Max	1200	1200	1200	1200
	Motor Class	Class B	Class B	Class B	Class B
120V	Current Draw (Start / Run / LRA)	.39A / .36A / .48A	.39A / .36A / .48A	.39A / .36A / .48A	.39A / .36A / .48A
	Speed (90°) 60Hz / 50Hz, seconds	9.2 / 11	9.2 / 11	12.5 / 15	12.5 / 15
	Motor - 120vac Split-Phase Cap TENV	10W	10W	10W	10W
	Duty Cycle (on/off / mod)	25% / 75%	25% / 75%	25% / 75%	25% / 75%
	Motor Starts, per hour, Max	1200	1200	1200	1200
	Motor Protection, Temp / Class	135°C / Class F	135°C / Class F	135°C / Class F	135°C / Class F
230V	Current Draw (Start / Run / LRA)	.23A / .21A / .28A	.23A / .21A / .28A	.23A / .21A / .28A	.23A / .21A / .28A
	Speed (90°) 60Hz / 50Hz, seconds	9.2 / 11	9.2 / 11	12.5 / 15	12.5 / 15
	Motor - 120vac Split-Phase Cap TENV	10W	10W	10W	10W
	Duty Cycle (on/off / mod)	25% / 75%	25% / 75%	25% / 75%	25% / 75%
	Motor Starts, per hour, Max	1200	1200	1200	1200
	Motor Protection, Temp / Class	135°C / Class F	135°C / Class F	135°C / Class F	135°C / Class F
All	Manual Override	Bottom 8mm Hex Shaft	Hand Wheel	Bottom 8mm Hex Shaft	Hand Wheel
	Electrical Entry (2)	1/2" EMT or Nylon gland			
	Control	On/Off or Proportional			
	Ambient Operating Range	-22°F to +158°F (-30°C to +70°C)			
	Humidity Range	0-95% RH			
	Altitude Limit	9850 ft / 3000 m			

*12V versions available custom order.

ME2 Series Electric Actuators

TECHNICAL INFORMATION, CONTINUED



DIMENSIONS

MODEL	A	A'	B	C	D	E (HV)	E' (LV)	E'' (LV)	F	G*	H	J*	K*	L	WEIGHT
	in/mm	in/mm	in/mm	in/mm	in/mm	in/mm	in/mm	in/mm	in/mm	in/mm	in/mm	in/mm	in/mm	in/mm	lbs/kg
ME 22	on/off - LV	6.38/162		1.40/36		3.60/92	-	-	3.25/83			(4) M6-1.0 X 18mm Deep	F05 / 1.969/50		6.6/3.0
	on/off - HV		4.93/125	2.20/56	4.22/107	3.60/92	-	-		0.551/14	0.78/20				6.6/3.0
	Mod - LV	7.56/192		2.52/64		-	6.32/160	2.5/64	3.60/91			(4) M8-1.25 X 20mm Deep	F07 / 2.756/70		13.8/6.3
	Mod - HV			1.40/36		3.60/92	-	-	3.25/83						6.8/3.1
ME 22H	on/off - LV	7.40/188		2.32/59		3.60/92	-	-				(4) M6-1.0 X 18mm Deep	F05 / 1.969/50		6.6/3.0
	on/off - HV		4.93/125	2.20/56	4.22/107	3.60/92	-	-		0.551/14	0.78/20			2.5/63 12 turns 90°	6.6/3.0
	Mod - LV	8.58/218		2.99/76		-	6.32/160	2.5/64	4.25/108			(4) M8-1.25 X 20mm Deep	F07 / 2.756/70		13.8/6.3
	Mod - HV			2.32/59		3.60/92	-	-							6.8/3.1
ME 23	on/off - LV	6.38/162		1.40/36		3.60/92	-	-	3.25/83			(4) M6-1.0 X 18mm Deep	F05 / 1.969/50		6.6/3.0
	on/off - HV		4.93/125	2.20/56	4.22/107	3.60/92	-	-		0.551/14	0.78/20				6.6/3.0
	Mod - LV	7.56/192		2.52/64		-	6.32/160	2.5/64	3.60/91			(4) M8-1.25 X 20mm Deep	F07 / 2.756/70		13.8/6.3
	Mod - HV			1.40/36		3.60/92	-	-	3.25/83						6.8/3.1
ME 23H	on/off - LV	7.40/188		2.32/59		3.60/92	-	-				(4) M6-1.0 X 18mm Deep	F05 / 1.969/50		6.6/3.0
	on/off - HV		4.93/125	2.20/56	4.22/107	3.60/92	-	-	4.25/108	0.669/17	0.78/20			2.5/63 14 turns 90°	6.6/3.0
	Mod - LV	8.58/218		2.99/76		-	6.32/160	2.5/64				(4) M8-1.25 X 20mm Deep	F07 / 2.756/70		13.8/6.3
	Mod - HV			2.32/59		3.60/92	-	-							6.8/3.1



ME3 Series ON/OFF/PROPORTIONAL ELECTRIC ACTUATORS

Overview

The ME 3 Series are quarter-turn electric industrial service actuators delivering up to 1770 lbf-in torque in voltages ranging from 12V up through 480/3 in on/off or proportional control modes. Other Key Features include:

- Units are equipped with two (2) volt-free Form A Auxiliary switches rated at up to 10A 250vac
- ISO5211 compliant mounting with double square female drive inserts
- Raised visual position indicator
- Clutch-free manual override handwheel standard
- NEMA 4X/IP67 compliant
- Two (2) 3/4" EMT entry ports with sealed cable glands

Options

- Torque Switches
- Motor Control Centers
- Local Control Stations
- IP68 Submersion
- Battery Backup
- Supercap Backup
- Interchangeable ISO5211 Flange & Drives



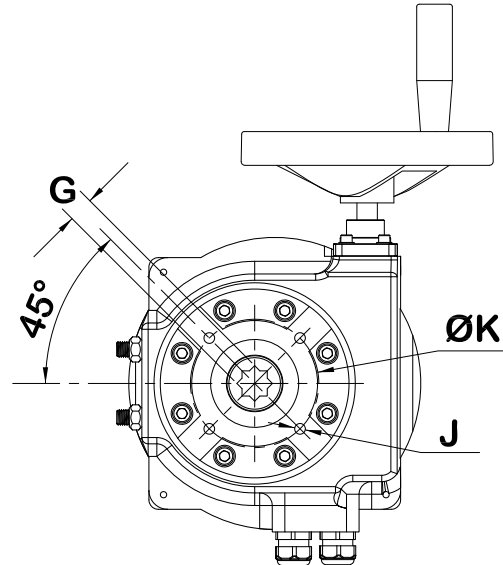
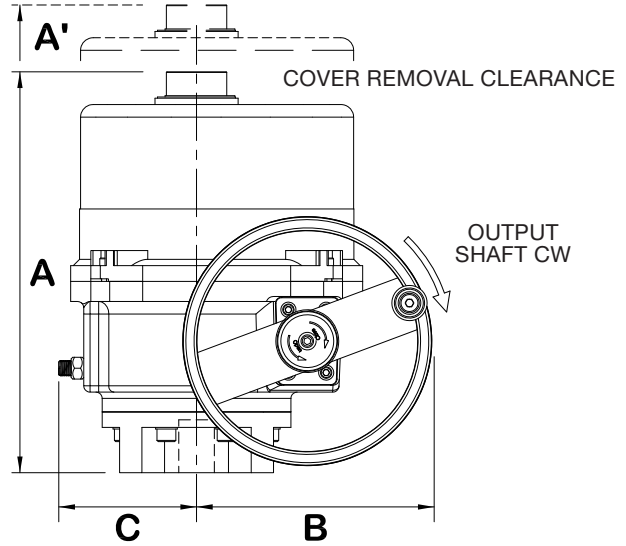
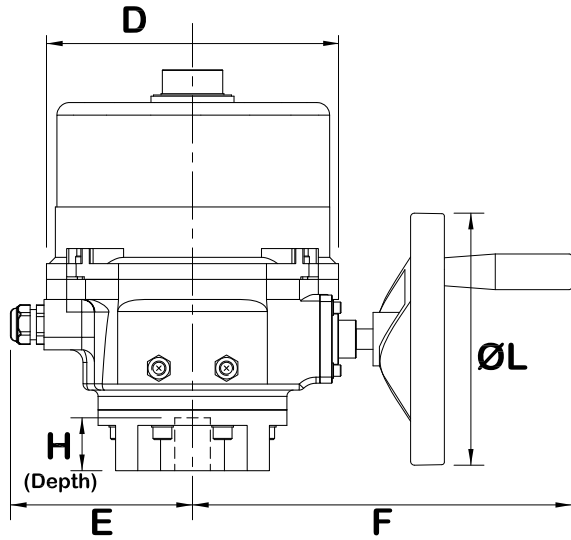
TECHNICAL INFORMATION

ACTUATOR SPECIFICATIONS		ME 32H	ME 33H
Supply	Torque Output (lbf-in / Nm)	880 / 100	1770 / 200
	Current Draw (Start / Run / LRA)	7.2A / 5.2A / 17.8A	7.2A / 5.2A / 17.8A
12VAC*	Speed (90°) DC, seconds	14	28
-	Motor - 12vdc Perm Magnet Brush Type	25W	25W
12VDC*	Duty Cycle (on/off / mod)	75%	75%
	Motor Starts, per hour, Max	1200	1200
	Motor Class	Class B	Class B
24VAC	Current Draw (Start / Run / LRA)	4.2A / 3.2A / 11A	4.2A / 3.2A / 11A
-	Speed (90°) DC, seconds	14	28
24VDC	Motor - 24vdc Perm Magnet Brush Type	25W	25W
	Duty Cycle (on/off / mod)	75%	75%
	Motor Starts, per hour, Max	1200	1200
	Motor Class	Class B	Class B
120V	Current Draw (Start / Run / LRA)	1.16A / 0.93A / 1.47A	1.16A / 0.93A / 1.47A
	Speed (90°) 60Hz / 50Hz, seconds	16 / 19	33 / 39
	Motor - 120vac Split-Phase Cap TENV	40W	40W
	Duty Cycle (on/off / mod)	25% / 75%	25% / 75%
	Motor Starts, per hour, Max	1200	1200
	Motor Protection, Temp / Class	135°C / Class F	135°C / Class F
230V	Current Draw (Start / Run / LRA)	0.54A / 0.42A / 0.66A	0.54A / 0.42A / 0.66A
	Speed (90°) 60Hz / 50Hz, seconds	16 / 19	33 / 39
	Motor - 230vac Split-Phase Cap TENV	40W	40W
	Duty Cycle (on/off / mod)	25% / 75%	25% / 75%
	Motor Starts, per hour, Max	1200	1200
	Motor Protection, Temp / Class	135°C / Class F	135°C / Class F
All	Electrical Entry (2)	3/4" EMT or Nylon gland	
	Control	On/Off or Proportional	
	Ambient Operating Range	-22°F to +158°F (-30°C to +70°C)	
	Humidity Range	0-95% RH	
	Altitude Limit	9850 ft / 3000 m	

*12V versions available custom order.

ME3 Series Electric Actuators

TECHNICAL INFORMATION, CONTINUED



DIMENSIONS

MODEL	A	A'	B	C	D	E	F	G*	H	J*	K*	L	WEIGHT	
	in/mm	in/mm	in/mm	in/mm	in/mm	in/mm	in/mm	in/mm	in/mm	in/mm	in/mm		lbs/kg	
ME 32H	10.45/265	6/150	4.85/123	3.11/79	8.50/216	4.73/120	9.45/240	0.866/22 0.669/17	1.38/35	(4) M8 - 1.25 X 20mm D	F07 2.756/70	4.7/120	12.5 turns 90°	24.5/11
ME 33H	10.45/265	6/150	4.85/123	3.11/79	8.50/216	4.73/120	9.45/240	0.866/22 0.669/17	1.38/35	(4) M8 - 1.25 X 20mm D	F07 2.756/70	4.7/120	12.5 turns 90°	24.5/11

*ME 3 Series have 17mm & 22mm DSQ Drive Inserts (Dimension G) included as well.



ME4 Series ON/OFF/PROPORTIONAL ELECTRIC ACTUATORS

Overview

The ME4 Series are quarter-turn electric industrial service actuators delivering up to 20,350 lbf-in torque in voltages ranging from 12V up through 480/3 in on/off or proportional control modes.

Other Key Features include:

- Units are equipped with two (2) volt-free Form A Auxiliary switches rated at up to 10A 250vac
- ISO5211 compliant mounting with double square female drive inserts
- Raised visual position indicator
- Clutch-free manual override handwheel standard
- NEMA 4X/IP67 compliant
- Two (2) 3/4" EMT entry ports with sealed cable glands

Options

- Torque Switches
- Motor Control Centers
- Local Control Stations
- IP68 Submersion
- Battery Backup
- Supercap Backup
- Interchangeable ISO5211 Flange & Drives



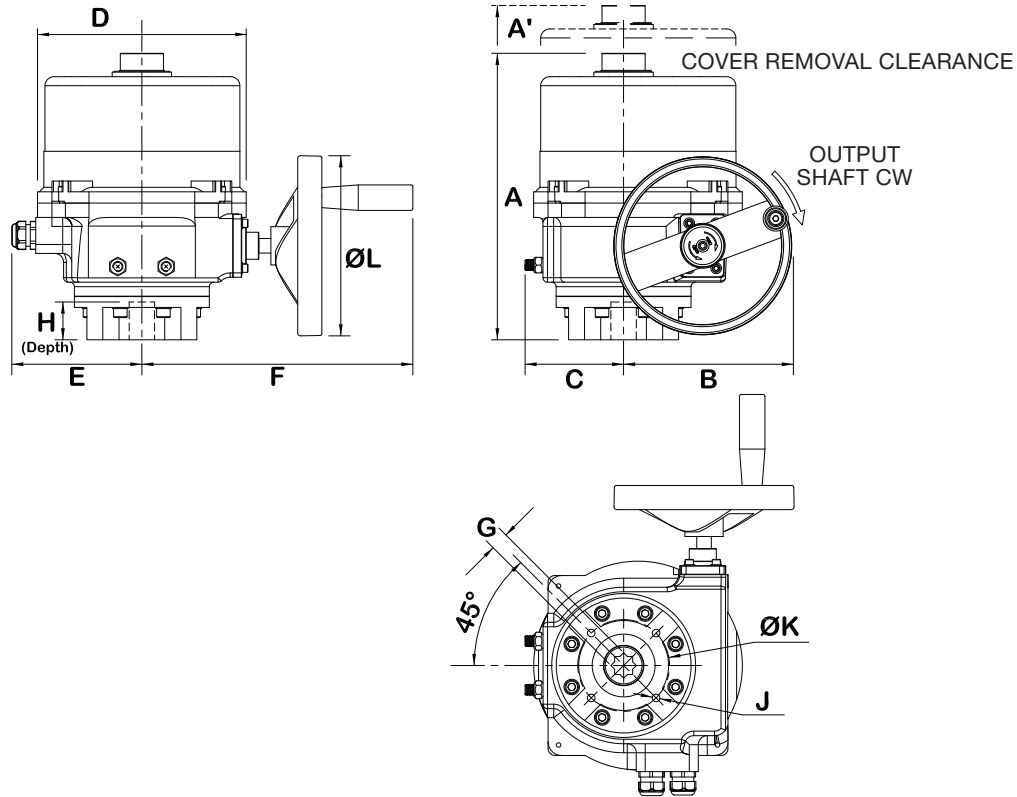
TECHNICAL INFORMATION

ACTUATOR SPECIFICATIONS		ME 42H	ME 43H	ME 44H	ME 45H	ME 46H	ME 47H
Supply	Torque Output (lbf-in / Nm)	3540 / 400	5310 / 600	7080 / 800	8850 / 1000	15,040 / 1700	20,350 / 2300
12VAC*	Current Draw (Start / Run / LRA)	11.4A / 9.4A / 24.4A	11.4A / 9.4A / 24.4A	11.4A / 9.4A / 24.4A	-	-	-
	Speed (90°) DC, seconds	21	28	34	-	-	-
	Motor - 12vdc Perm Magnet Brush Type	40W	40W	40W	-	-	-
12VDC*	Duty Cycle (on/off / mod)	75%	75%	75%	-	-	-
	Motor Starts, per hour, Max	1200	1200	1200	-	-	-
	Motor Class	Class B	Class B	Class B	-	-	-
24VAC	Current Draw (Start / Run / LRA)	7.0A / 5.8A / 15A	7.0A / 5.8A / 15A	7.0A / 5.8A / 15A	10.5A / 7.8A / 22A	-	-
	Speed (90°) DC, seconds	21	28	34	34	-	-
	Motor - 24vdc Perm Magnet Brush Type	40W	40W	40W	60W	-	-
24VDC	Duty Cycle (on/off / mod)	75%	75%	75%	75%	-	-
	Motor Starts, per hour, Max	1200	1200	1200	1200	-	-
	Motor Class	Class B	Class B	Class B	Class B	-	-
120V	Current Draw (Start / Run / LRA)	2.95A / 1.8A / 3.5A	2.95A / 1.8A / 3.5A	2.95A / 1.8A / 3.5A	3.8A / 2.3A / 4.8A	7.2A / 4.5A / 9.4A	7.2A / 4.5A / 9.4A
	Speed (90°) 60Hz / 50Hz, seconds	24 / 29	33 / 39	39 / 47	39 / 47	28 / 34	39 / 47
	Motor - 120vac Split-Phase Cap TENV	90W	90W	90W	120W	200W	200W
	Duty Cycle (on/off / mod)	25% / 75%	25% / 75%	25% / 75%	25% / 75%	25% / 75%	25% / 75%
	Motor Starts, per hour, Max	1200	1200	1200	1200	1200	1200
	Motor Protection, Temp / Class	135°C / Class F	135°C / Class F	135°C / Class F	135°C / Class F	135°C / Class F	135°C / Class F
230V	Current Draw (Start / Run / LRA)	1.71A / 0.91A / 1.9A	1.71A / 0.91A / 1.9A	1.71A / 0.91A / 1.9A	2.16A / 1.1A / 2.43A	4.1A / 2.2A / 4.5A	4.1A / 2.2A / 4.5
	Speed (90°) 60Hz / 50Hz, seconds	24 / 29	33 / 39	39 / 47	39 / 47	28 / 34	39 / 47
	Motor - 230vac Split-Phase Cap TENV	90W	90W	90W	120W	200W	200W
	Duty Cycle (on/off / mod)	25% / 75%	25% / 75%	25% / 75%	25% / 75%	25% / 75%	25% / 75%
	Motor Starts, per hour, Max	1200	1200	1200	1200	1200	1200
	Motor Protection, Temp / Class	135°C / Class F	135°C / Class F	135°C / Class F	135°C / Class F	135°C / Class F	135°C / Class F
Electrical Entry (2)	3/4" EMT or Nylon gland						
Control	On/Off or Proportional						
Ambient Operating Range	-22°F to +158°F (-30°C to +70°C)						
Humidity Range	0-95% RH						
Altitude Limit	9850 ft / 3000 m						

*12V versions available custom order.

ME4 Series Electric Actuators

TECHNICAL INFORMATION, CONTINUED



DIMENSIONS

MODEL	A in/mm	A' in/mm	B in/mm	C in/mm	D in/mm	E in/mm	F in/mm	G* in/mm	H in/mm	J* in/mm	K* in/mm	L	WEIGHT lbs/kg	
ME 42H	12.64/321	8/200	7.36/187	4.06/103	10.32/262	5.91/150	11.70/297	0.866/22	2.17/55	(4) M10 - 1.50 X 20mm D	F10 4.016/102	7.8 / 197	14.5 turns 90°	49/22
ME 43H	12.64/321	8/200	7.36/187	4.06/103	10.32/262	5.91/150	11.70/297	1.063/27	2.17/55	(4) M12 - 1.75 X 20mm D	F12 4.921/125	7.8 / 197	14.5 turns 90°	49/22
ME 44H	12.64/321	8/200	7.36/187	4.06/103	10.32/262	5.91/150	11.70/297	1.063/27	2.17/55	(4) M12 - 1.75 X 20mm D	F12 4.921/125	7.8 / 197	14.5 turns 90°	49/22
ME 45H	12.64/321	8/200	7.36/187	4.06/103	10.32/262	5.91/150	11.70/297	1.063/27	2.17/55	(4) M12 - 1.75 X 20mm D	F12 4.921/125	7.8 / 197	14.5 turns 90°	49/22
ME 46H	14.89/378	10/250	9.49/241	4.69/119	11.54/293	6.34/161	13.62/346	1.063/27	2.56/65	(4) M12 - 1.75 X 20mm D	F14 5.512/140	11.5 / 290	16 turns 90°	80/36
ME 47H	14.89/378	10/250	9.49/241	4.69/119	11.54/293	6.34/161	13.62/346	1.417/36	2.56/65	(4) M16 - 2.0 X 20mm D	F14 5.512/140	11.5 / 290	16 turns 90°	80/36

*Consult Max-Air Technology for optional ISO patterns





ME5 Series ON/OFF/PROPORTIONAL ELECTRIC ACTUATORS

Overview

The ME5 Series are quarter-turn electric industrial service actuators delivering up to 44,250 lbf-in torque in voltages ranging from 120VAC up through 480/3 in on/off or proportional control modes.

Other Key Features include:

- Units are equipped with two (2) volt-free Form A Auxiliary switches rated at up to 10A 250vac
- ISO5211 compliant mounting with double square female drive
- Flat visual position indicator
- Clutch-free manual override handwheel standard
- NEMA 4X/IP67 compliant
- Two (2) 3/4" EMT entry ports with sealed cable glands

Options

- Torque Switches
- Motor Control Centers
- Local Control Stations
- IP68 Submersion
- Battery Backup

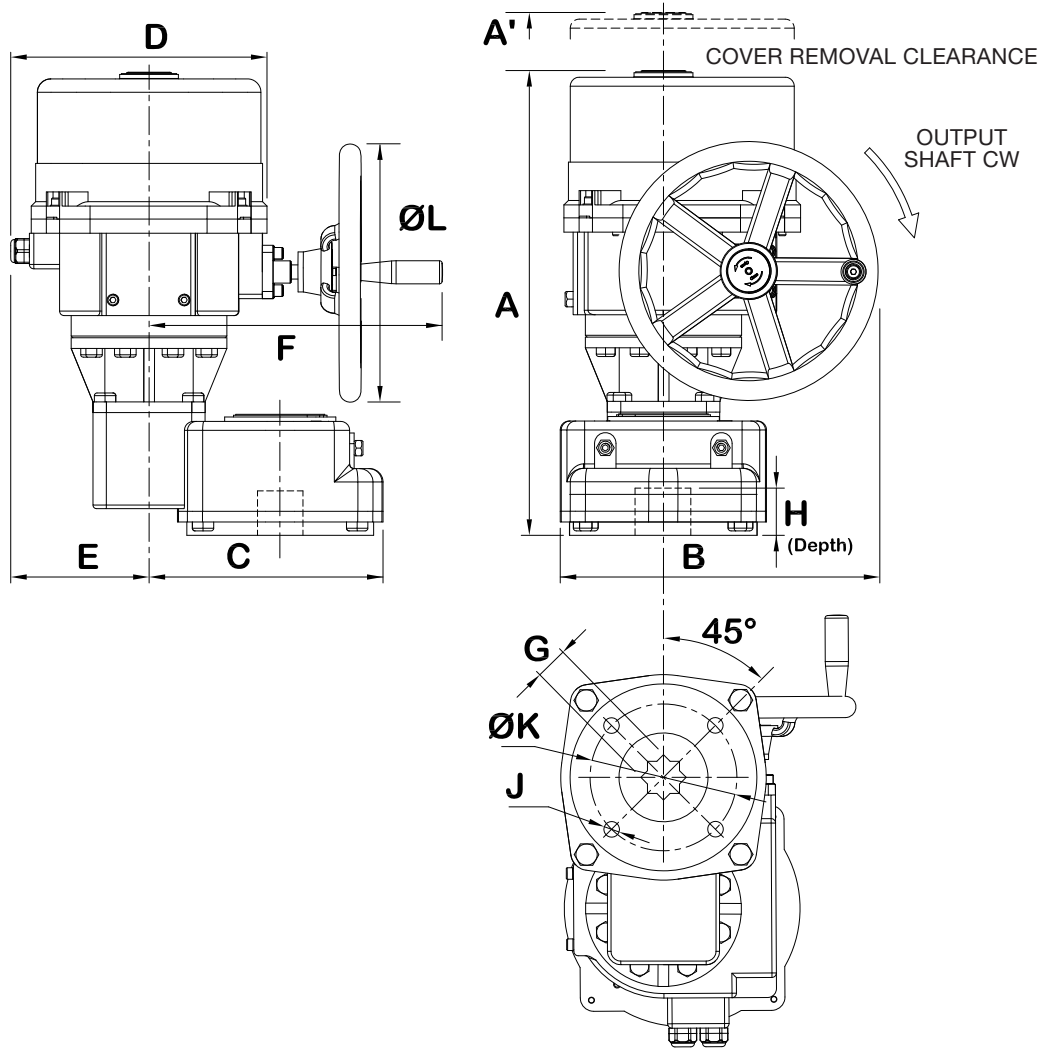
TECHNICAL INFORMATION

ACTUATOR SPECIFICATIONS		ME 52H	ME 53H
Supply*	Torque Output (lbf-in / Nm)	30,975 / 3500	44,250 / 5000
120V	Current Draw (Start / Run / LRA)	7.2A / 4.5A / 9.4A	7.2A / 4.5A / 9.4A
	Motor - 120vac Split-Phase Cap TENV / Protection / Class	200W /135°C / Class F	200W /135°C / Class F
230V	Current Draw (Start / Run / LRA)	4.05A / 2.2A / 4.5A	4.05A / 2.2A / 4.5A
	Motor - 230vac Split-Phase Cap TENV / Protection / Class	200W /135°C / Class F	200W /135°C / Class F
220/3ph	Current Draw (Start / Run / LRA)	3.58A / 1.33A / 4.52A	3.58A / 1.33A / 4.52A
	Motor - 220/3 Polyphase TENV / Protection / Class	200W /135°C / Class F	200W /135°C / Class F
315/3ph	Current Draw (Start / Run / LRA)	2.5A / 1.3A / 3.16A	2.5A / 1.3A / 3.16A
	Motor - 315/3 Polyphase TENV / Protection / Class	200W /135°C / Class F	200W /135°C / Class F
380/3ph	Current Draw (Start / Run / LRA)	2.1A / 1.1A / 2.6A	2.1A / 1.1A / 2.6A
	Motor - 380/3 Polyphase TENV / Protection / Class	200W /135°C / Class F	200W /135°C / Class F
440/3ph	Current Draw (Start / Run / LRA)	1.5A / 0.95A / 2.3A	1.5A / 0.95A / 2.3A
	Motor - 440/3 Polyphase TENV / Protection / Class	200W /135°C / Class F	200W /135°C / Class F
480/3ph	Current Draw (Start / Run / LRA)	1.2A / 0.87A / 2.1A	1.2A / 0.87A / 2.1A
	Motor - 480/3 Polyphase TENV / Protection / Class	200W /135°C / Class F	200W /135°C / Class F
All	Speed (90°) 60Hz / 50Hz	63 sec / 76 sec	88 sec / 105 sec
	Motor Starts	1200 per hour	
	Duty Cycle (on/off / mod)	25% / 50%	
	Control	On/Off/Jog, Proportional	
	Electrical Entry (2)	3/4" EMT or Nylon Gland	
	Ambient Operating Range	-22°F to +158°F (-30°C to +70°C)	
	Humidity Range	0-95% RH	
	Altitude Limit	9850 ft / 3000 m	

*ME5 not available below 120vac supply.

ME5 Series Electric Actuators

TECHNICAL INFORMATION, CONTINUED



DIMENSIONS

MODEL	A in/mm	A' in/mm	B in/mm	C in/mm	D in/mm	E in/mm	F in/mm	G* in/mm	H in/mm	J* in/mm	K* in/mm	L	WEIGHT lbs/kg	
ME 52H	20.95/532	9.83/250	14.14/359	8.90/226	11.54/293	6.34/161	13.62/346	1.811/46	3.35/85	(4) M20 - 2.5 X 35mm D	F16 6.50/165	11.42 / 290	35.6 turns 90°	167/76
ME 53H	20.95/532	9.83/250	14.14/359	8.90/226	11.54/293	6.34/161	13.62/346	1.811/46	3.35/85	(4) M20 - 2.5 X 35mm D	F16 6.50/165	11.42 / 290	35.6 turns 90°	167/76

*Consult Max-Air Technology for optional ISO patterns





ME6 Series ON/OFF/PROPORTIONAL ELECTRIC ACTUATORS

Overview

The ME6 Series are quarter-turn electric industrial service actuators delivering up to 71,200 lbf-in torque in voltages ranging from 120VAC up through 480/3 in on/off or proportional control modes.

Other Key Features include:

- Units are equipped with two (2) volt-free Form A Auxiliary switches rated at up to 10A 250vac
- ISO5211 compliant mounting with double square female drive
- Flat visual position indicator
- Clutch-free manual override handwheel standard
- NEMA 4X/IP67 compliant
- Two (2) 3/4" EMT entry ports with sealed cable glands

Options

- Torque Switches
- Motor Control Centers
- Local Control Stations
- IP68 Submersion
- Battery Backup

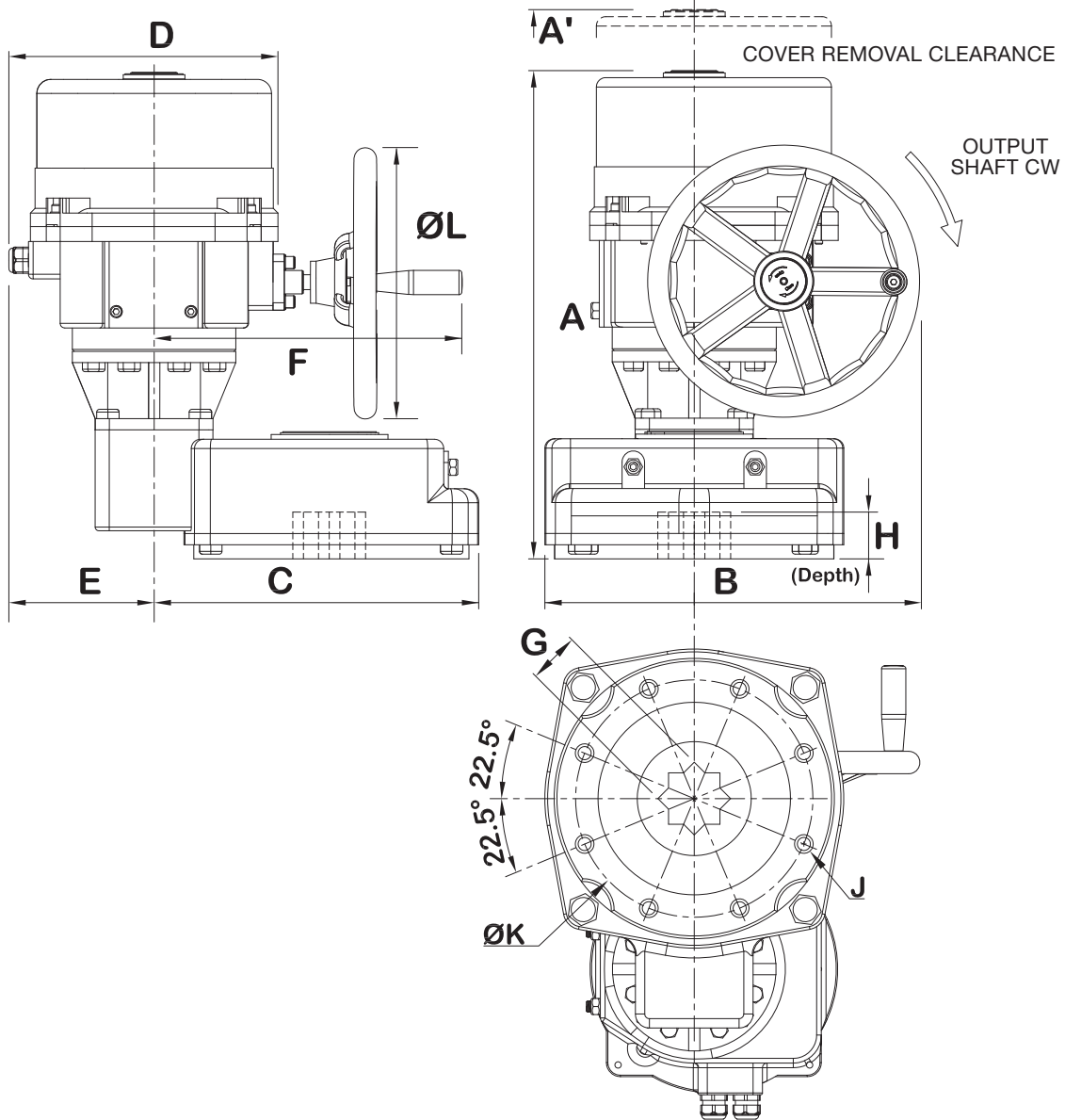
TECHNICAL INFORMATION

ACTUATOR SPECIFICATIONS		ME 62H
Supply*	Torque Output (lbf-in / Nm)	71,200 / 8000
120V	Current Draw (Start / Run / LRA)	7.2A / 4.5A / 9.4A
	Motor - 120vac Split-Phase Cap TENV / Protection / Class	200W / 135°C / Class F
230V	Current Draw (Start / Run / LRA)	4.05A / 2.2A / 4.5A
	Motor - 230vac Split-Phase Cap TENV / Protection / Class	200W / 135°C / Class F
220/3ph	Current Draw (Start / Run / LRA)	3.58A / 1.33A / 4.52A
	Motor - 220/3 Polyphase TENV / Protection / Class	200W / 135°C / Class F
315/3ph	Current Draw (Start / Run / LRA)	2.5A / 1.3A / 3.16A
	Motor - 315/3 Polyphase TENV / Protection / Class	200W / 135°C / Class F
380/3ph	Current Draw (Start / Run / LRA)	2.1A / 1.1A / 2.6A
	Motor - 380/3 Polyphase TENV / Protection / Class	200W / 135°C / Class F
440/3ph	Current Draw (Start / Run / LRA)	1.5A / 0.95A / 2.3A
	Motor - 440/3 Polyphase TENV / Protection / Class	200W / 135°C / Class F
480/3ph	Current Draw (Start / Run / LRA)	1.2A / 0.87A / 2.1A
	Motor - 480/3 Polyphase TENV / Protection / Class	200W / 135°C / Class F
All	Speed (90°) 60Hz / 50Hz	120 sec / 143 sec
	Motor Starts	1200 per hour
	Duty Cycle (on/off / mod)	25% / 50%
	Control	on/off or proportional
	Electrical Entry (2)	3/4" EMT or Nylon Gland
	Ambient Operating Range	-22°F to +158°F (-30°C to +70°C)
	Humidity Range	0-95% RH
	Altitude Limit	9850 ft / 3000 m

*ME6 not available below 120vac supply.

ME6 Series Electric Actuators

TECHNICAL INFORMATION, CONTINUED



DIMENSIONS

MODEL	A in/mm	A' in/mm	B in/mm	C in/mm	D in/mm	E in/mm	F in/mm	G* in/mm	H in/mm	J* in/mm	K* in/mm	L	WEIGHT lbs/kg	
ME 62H	22.56/573	9.83/250	15.75/400	13.50/343	11.54/293	6.34/161	12.76/324	2.165/55	5.12/130	(8) M16 - 2.0 X 35mm D	F25 10.0/254	11.42/ 290	48 turns 90°	235/107





ME7 Series ON/OFF/PROPORTIONAL ELECTRIC ACTUATORS

Overview

The ME7 Series are quarter-turn electric industrial service actuators delivering up to 177,000 lbf-in torque in voltages ranging from 220/3 up through 480/3 in on/off or proportional control modes.

Other Key Features include:

- Units are equipped with two (2) volt-free Form A Auxiliary switches rated at up to 10A 250vac
- ISO5211 compliant mounting with double square female drive inserts
- Flat visual position indicator
- Clutch-free manual override handwheel standard
- NEMA 4X/IP67 compliant
- Two (2) 3/4" EMT entry ports with sealed cable glands

Options

- Torque Switches
- Motor Control Centers
- Local Control Stations
- IP68 Submersion
- Interchangeable ISO5211 Drive Inserts

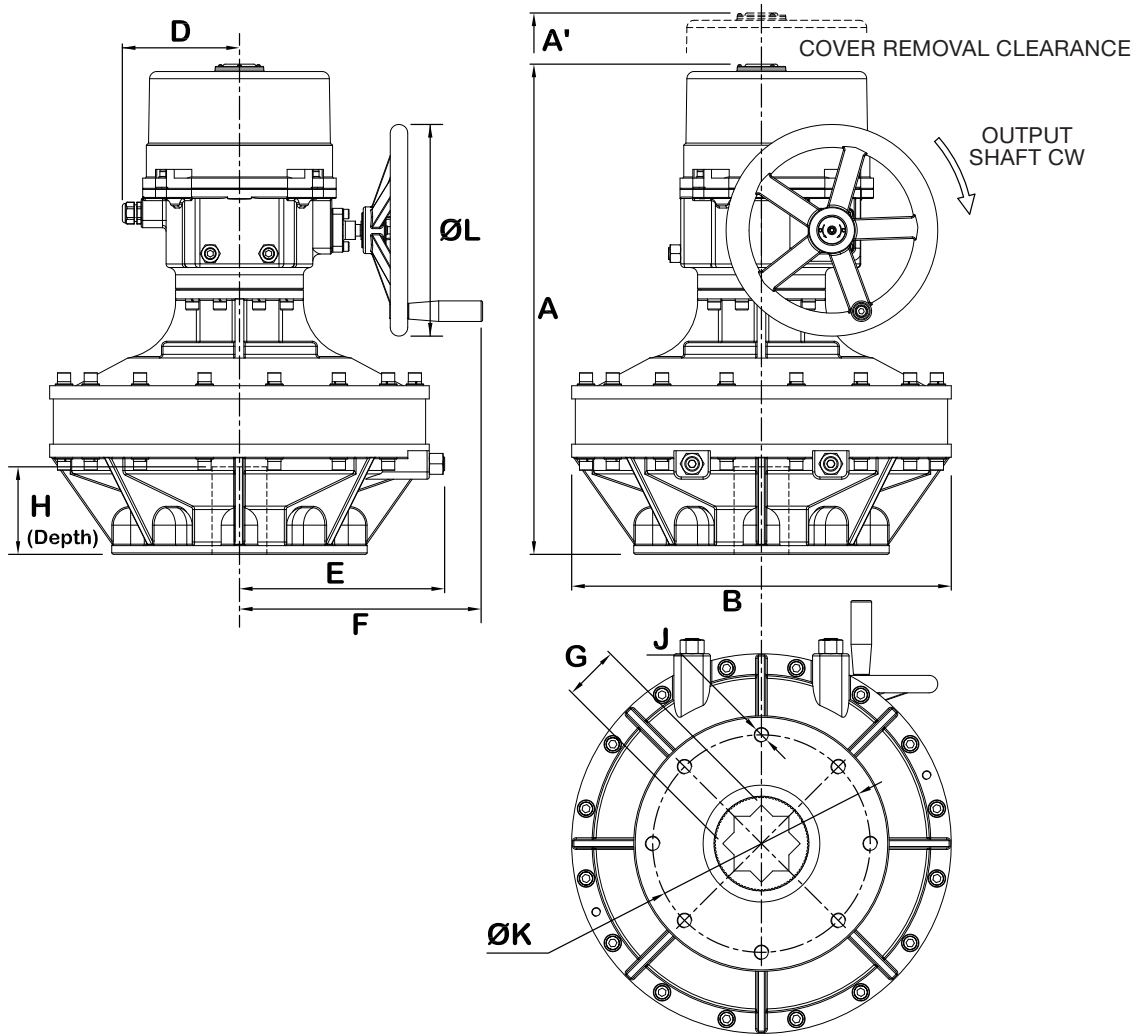
TECHNICAL INFORMATION

ACTUATOR SPECIFICATIONS		ME 72H	ME 73H	ME 74H
Supply*	Torque Output (lbf-in / Nm)	115,700 / 13000	142,400 / 16000	177,000 / 20000
220/3ph	Current Draw (Start / Run / LRA)	6.82A / 3.5A / 8.89A	6.82A / 3.5A / 8.89A	6.82A / 3.5A / 8.89A
	Motor - 220/3 Polyphase TENV	400W / 135°C / Class F	400W / 135°C / Class F	400W / 135°C / Class F
315/3ph	Current Draw (Start / Run / LRA)	4.75A / 2.4A / 6.20A	4.75A / 2.4A / 6.20A	4.75A / 2.4A / 6.20A
	Motor - 315/3 Polyphase TENV	400W / 135°C / Class F	400W / 135°C / Class F	400W / 135°C / Class F
380/3ph	Current Draw (Start / Run / LRA)	3.95A / 2.0A / 5.0A	3.95A / 2.0A / 5.0A	3.95A / 2.0A / 5.0A
	Motor - 380/3 Polyphase TENV	400W / 135°C / Class F	400W / 135°C / Class F	400W / 135°C / Class F
440/3ph	Current Draw (Start / Run / LRA)	3.2A / 1.7A / 4.32A	3.2A / 1.7A / 4.32A	3.2A / 1.7A / 4.32A
	Motor - 440/3 Polyphase TENV	400W / 135°C / Class F	400W / 135°C / Class F	400W / 135°C / Class F
480/3ph	Current Draw (Start / Run / LRA)	2.2A / 1.6A / 3.96A	2.2A / 1.6A / 3.96A	2.2A / 1.6A / 3.96A
	Motor - 480/3 Polyphase TENV	400W / 135°C / Class F	400W / 135°C / Class F	400W / 135°C / Class F
All	Speed (90°) 60Hz / 50Hz	91 sec / 109 sec	108 sec / 129 sec	130 sec / 155 sec
	Motor Starts		1200 per hour	
	Duty Cycle (on/off / mod)		25% / 50%	
	Control		on/off or proportional	
	Electrical Entry (2)		3/4" EMT or Nylon Gland	
	Ambient Operating Range		-22°F to +158°F (-30°C to +70°C)	
	Humidity Range		0-95% RH	
	Altitude Limit		9850 ft / 3000 m	

*ME7 not available below 220/3 supply.

ME7 Series Electric Actuators

TECHNICAL INFORMATION, CONTINUED



DIMENSIONS

MODEL	A in/mm	A' in/mm	B in/mm	C in/mm	D in/mm	E in/mm	F in/mm	G* in/mm	H in/mm	J* in/mm	K* in/mm	L	WEIGHT lbs/kg	
ME 72H	26.46/672	9.83/250	20.47/520	-	6.34/161	11.06/281	13.03/331	2.953/75	4.72/120	(8) M20 - 2.5 X 35mm D	F30 11.73/298	11.5/ 290	48 turns 90°	480/218
ME 73H	26.46/672	9.83/250	20.47/520	-	6.34/161	11.06/281	13.03/331	2.953/75	4.72/120	(8) M20 - 2.5 X 35mm D	F30 11.73/298	11.5/ 290	48 turns 90°	480/218
ME 74H	26.46/672	9.83/250	20.47/520	-	6.34/161	11.06/281	13.03/331	2.953/75	4.72/120	(8) M20 - 2.5 X 35mm D	F30 11.73/298	11.5/ 290	48 turns 90°	480/218

*Consult Max-Air Technology for optional ISO patterns

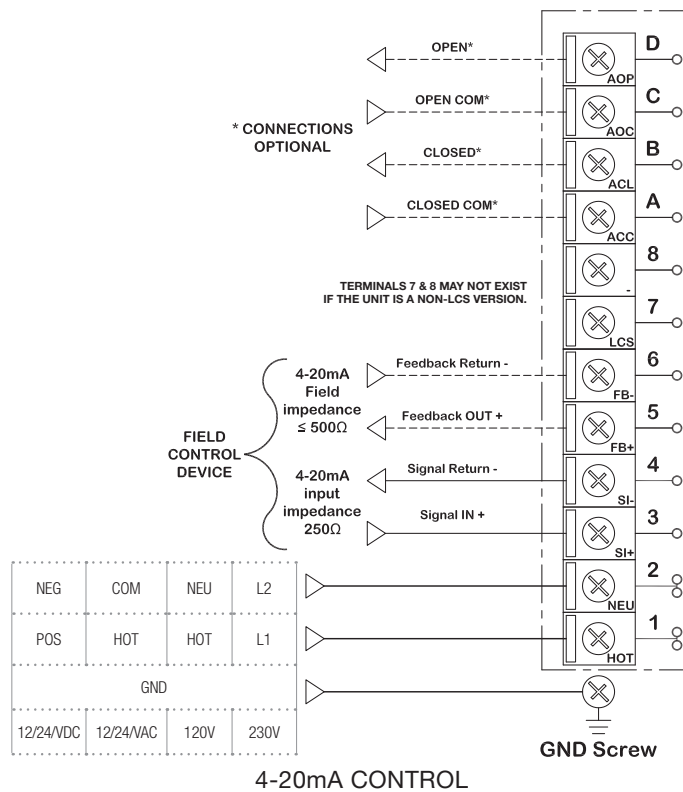
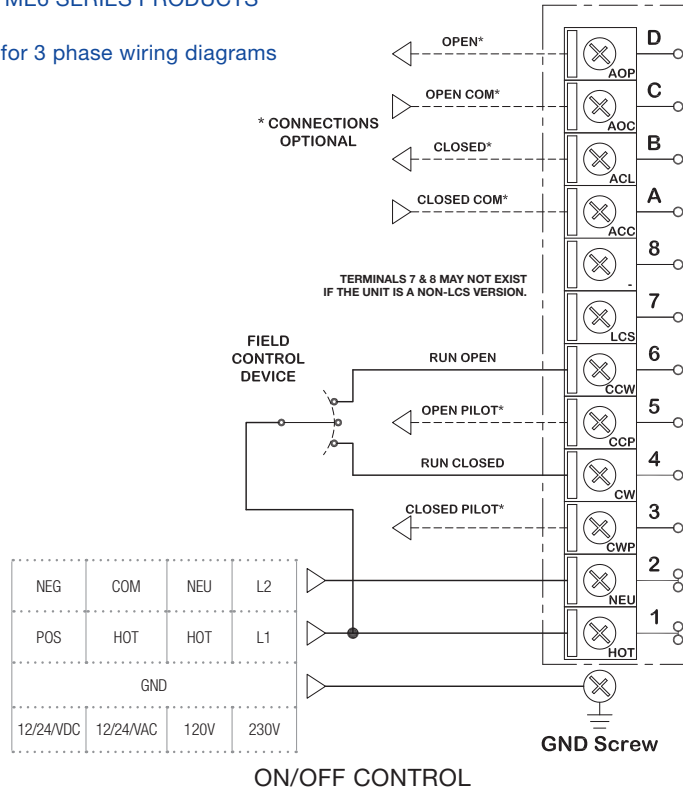


ME SERIES WIRING DIAGRAMS

APPLIES TO ALL ME2 THRU ME6 SERIES PRODUCTS

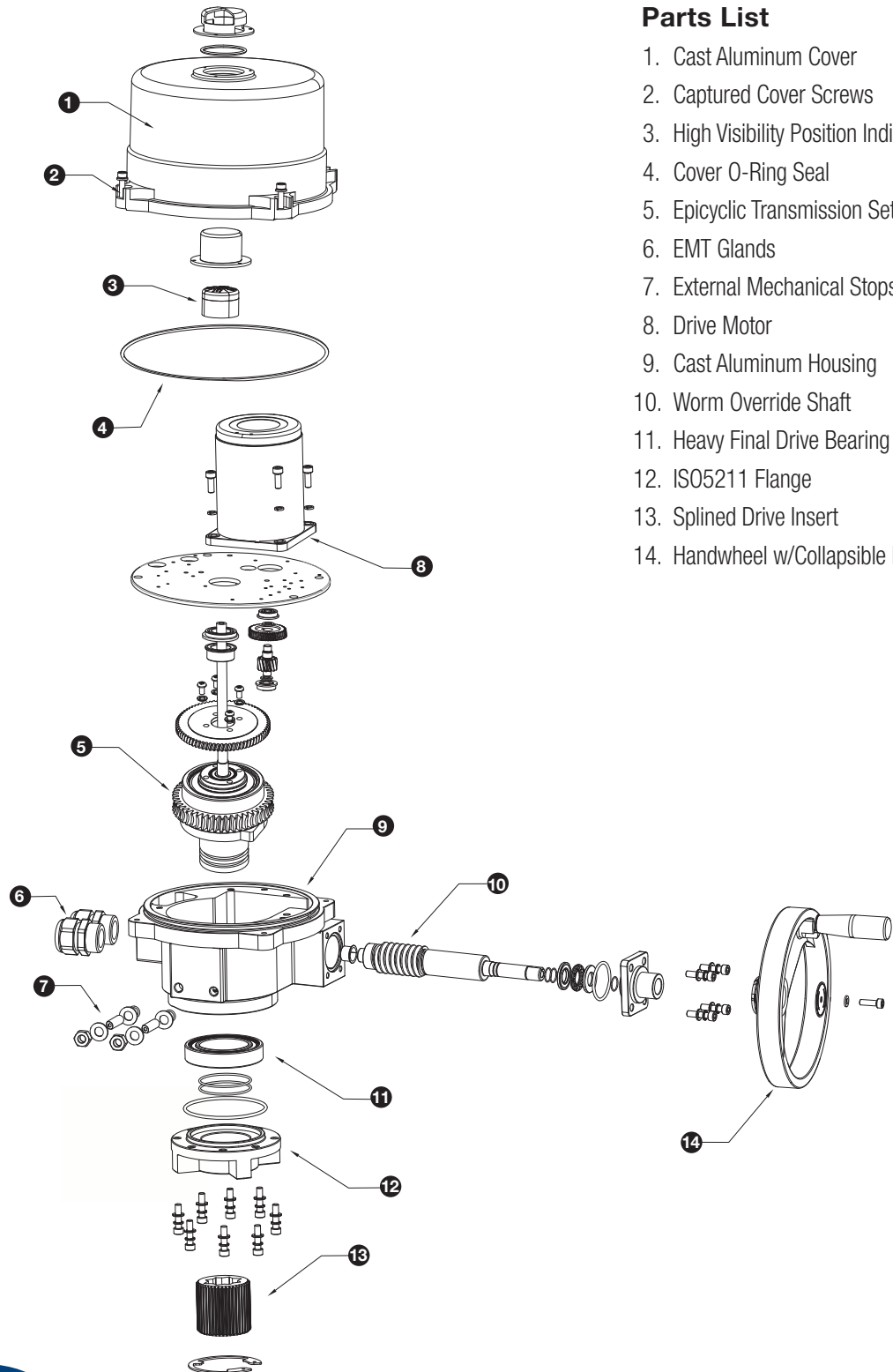
12VAC/DC ~ 220/1 PHASE

Contact Max-Air Technology for 3 phase wiring diagrams



ME Series Electric Actuators, Features

Exploded View



Parts List

1. Cast Aluminum Cover
2. Captured Cover Screws
3. High Visibility Position Indicator
4. Cover O-Ring Seal
5. Epicyclic Transmission Set
6. EMT Glands
7. External Mechanical Stops
8. Drive Motor
9. Cast Aluminum Housing
10. Worm Override Shaft
11. Heavy Final Drive Bearing
12. ISO5211 Flange
13. Splined Drive Insert
14. Handwheel w/Collapsible Knob

