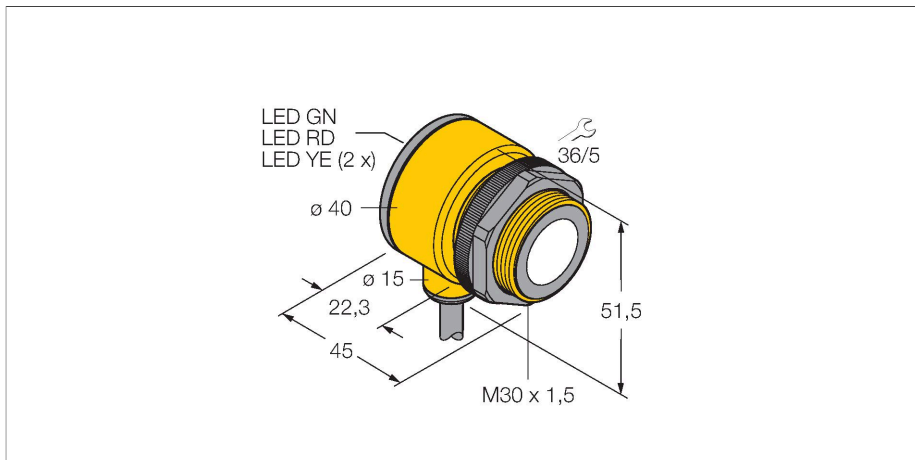


T30UHPA W/30

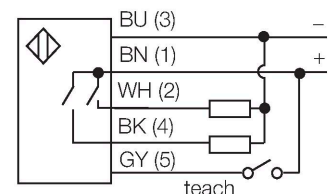
Ultrasonic sensor – diffuse mode sensor



Features

- Compact design
- Cable, 2 m
- Operating voltage 12...24 VDC
- Two PNP transistor outputs
- Two independent switching ranges adjustable via button or control line

Wiring diagram



Functional principle

Ultrasonic sensors detect a multitude of objects contactless and wear-free with ultrasonic waves. Regardless of whether the object is transparent or opaque, metallic or non-metallic, liquid, solid or powdery. Even environmental conditions such as spray, dust or rain hardly affect their function.

Technical data

Type	T30UHPA W/30
ID	3056890
Ultrasonic data	
Function	Proximity switch
Range	150...1000 mm
Ultrasound frequency	228 kHz
Repeatability	≤ ± 0.375 mm
Temperature drift	≤ 0.17 % of full scale/K
Electrical data	
Operating voltage	12...24 VDC
Response time typical	< 48 ms
Output function	2 normally open contact, PNP
Switching frequency	≤ 20 Hz
Hysteresis	≤ 2.5 mm
Mechanical data	
Design	Tube, T30U
Radiation direction	straight
Dimensions	Ø 40 x 45 mm
Housing material	Plastic, PBT
Transducer material	Plastic, Epoxyd resin and PU foam
Electrical connection	Cable, 2 m, PVC
Ambient temperature	-20...+70 °C
Relative humidity	100 %
Protection class	IP67
Power-on indication	LED
Switching state	LED, Yellow

Technical data

Object detected	LED
Tests/approvals	
MTTF	246 years acc. to SN 29500 (Ed. 99) 40 °C
Approvals	CE

Accessories

SMB30A 3032723

Mounting bracket, rectangular, stainless steel, for sensors with 30mm thread

SMB30FAM10 3011185

Mounting bracket, stainless steel, for M10 x 1.5 thread, thread length 30 mm

SMB30SC 3052521

Mounting bracket, PBT black, for sensors with 30 mm thread, rotatable