



Identification	Type	LVER-V10-6509 DC 24 V
	Part-No.	706509

Technical data	
Function type	Switching amplifier
Protection device	Suppressor diode
Nominal voltage	DC 24 V
Nominal voltage range	18 V – 30 V
Current Consumption per LED	21 mA
Shut-off points	≤52 V
Control current	10 mA
Control voltage	In: 9 V–30 V Out: 0 V–5 V
Switching current	0.005A – 2A, short circuit protection
Switching frequency	max. 20 Hz
Switch-on delay	<100 µs
Switch-off delay	<200 µs
Holding Capacity	100 VA
Connecting lead	∅ 5–9 mm
Fittings	PG 9
Short-circuit protection	yes

General	
Form	Design A, contact clearance 18 mm

10.08.2014 – Subject to technical modification

Part-No. 706509

USA: LUTZE INC.

13330 South Ridge Drive • Charlotte, NC 28273, USA
Tel. +1 (704) 504-0222 • Fax +1 (704) 504-0223
www.lutze.com • info@lutze.com

United Kingdom: LÜTZE Ltd.

Unit 3, Sandy Hill Park
Sandy Way, Amington • GB-Tamworth, Staffs B77 4DU
Tel. +44 (0)1827 31333-0 • Fax +44 (0)1827 31333-2
www.lutze.com • sales.gb@lutze.co.uk

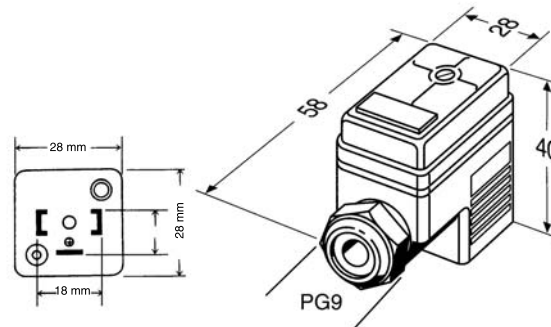


SYSTEMATIC TECHNOLOGY

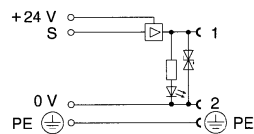
Technical data sheet • Suppression Technology

Status Indication	LED yellow
Housing material	PA grey / transparent
Protection class	IP 65
Field installation	Breakaway torque 0.4 Nm
Termination	Screw terminal: 0.5–1.5 mm ²
Operation temperature range	-25 °C – 60 °C
Storage temperature range	-25 °C – 80 °C
Dimensions (w × h × d)	28.0 × 40.0 × 58.0 mm
Weight (kg/piece)	0.039
Standards	EN 175301-803 (DIN 43 650), ISO 4400

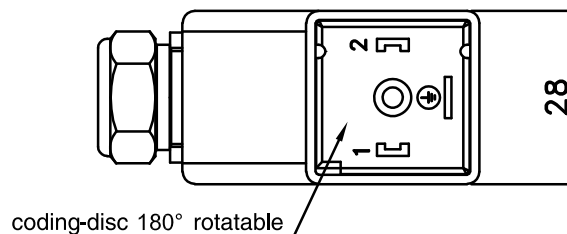
Dimensions



PIN assignment



Mounting diagram



Accessories

Accessories	Colour	Article number	Type	PU
Tag holder 9×20 mm	white	681315	BZT-0920	100

10.08.2014 – Subject to technical modification

Part-No. 706509

USA: LUTZE INC.

13330 South Ridge Drive • Charlotte, NC 28273, USA
 Tel. +1 (704) 504-0222 • Fax +1 (704) 504-0223
 www.lutze.com • info@lutze.com

United Kingdom: LÜTZE Ltd.

Unit 3, Sandy Hill Park
 Sandy Way, Amington • GB-Tamworth, Staffs B77 4DU
 Tel. +44 (0)1827 31333-0 • Fax +44 (0)1827 31333-2
 www.lutze.com • sales.gb@lutze.co.uk



SYSTEMATIC TECHNOLOGY