

Data sheet (Translation of the original)

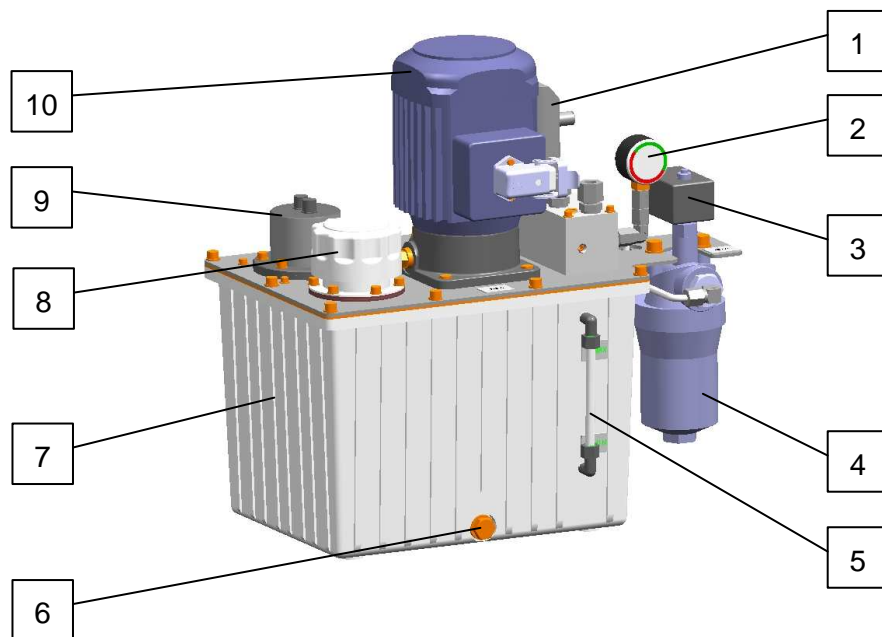
30818300 (01/12)

Fluid unit

1 Application

The bielomatik fluid unit guarantees the oil supply of the quick valves of the MQL 2-channel system via a circular pipeline, to which the individual quick valves are connected. The fluid unit must be supplemented with additional components in a minimum quantity lubrication system.

The detailed functional description can be obtained from the MQL 2-channel system technology assembly instructions and the wiring manual.



1. *Pressure switch*
2. *Pressure gauge*
3. *Fouling display*
4. *Filter*
5. *Oil level display*
6. *Cap screw*
7. *Tank*
8. *Filling/ venting filter*
9. *Level switch*
10. *Gear pump*

2 Version

General

Contents of the tank (nominal volume)	10L
Filter element (fineness)	6 μ m
Protection class as per EN60529	IP 55
Ambient temperature	+10 to +45°C

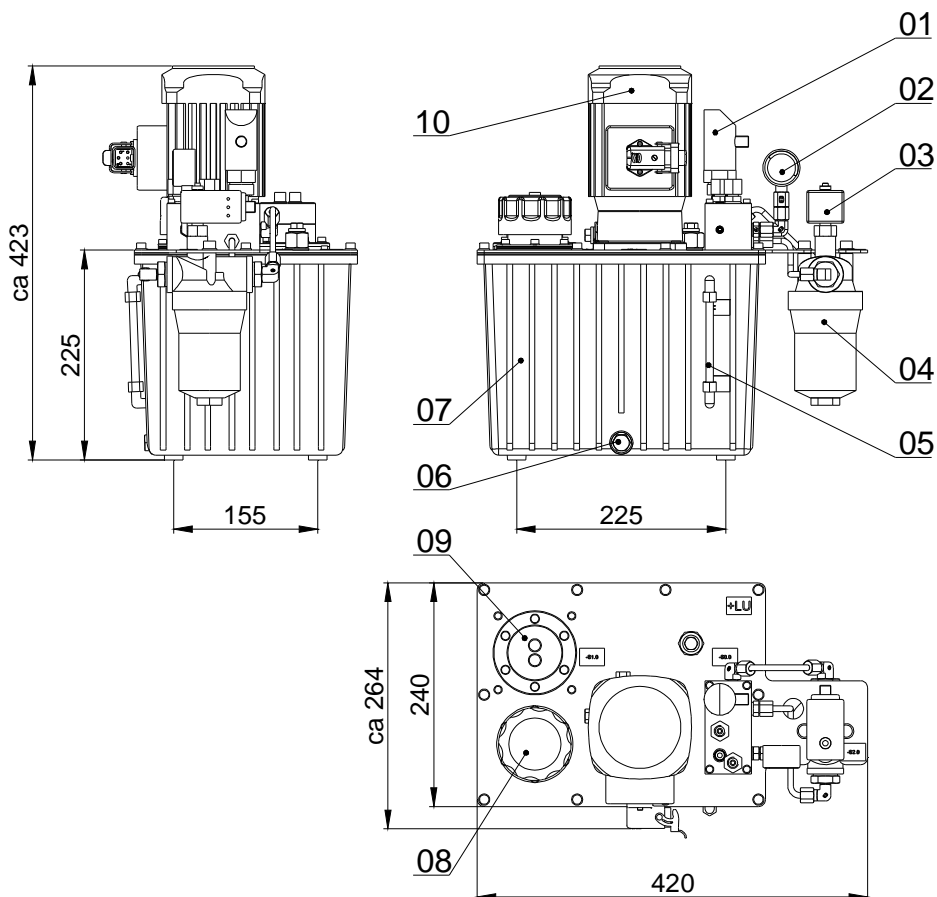
Hydraulic system

Displacement	0.375 l/min
Operating pressure	14 bar (adjustable), max. 28bar

Drive

Type of drive	electrical	
	at 50Hz	at 60Hz
Supply voltage	380-420V	440-500V
Supply current	0.6A	0.5A
Power consumption	0.18kW	0.18kW
Speed	1395 1/min	1705 1/min

3 Dimensions



4 Interfaces

Interface Type	Interface Format	Signal
Gear wheel-hydraulic pump	Han® Q5 / 5 pole / plug	400V AC
Level control	M12x1 A-coded / 4 pole / plug	24V DC
Pressure switch	M12x1 A-coded / 4 pole / plug	24V DC
Fouling display	M12x1 A-coded / 4 pole / plug	24V DC
Oil outlet	10mm Ø / Straight pipe fitting	Oil
Oil inlet	10mm Ø / Straight pipe fitting	Oil
Compressed air feed back	Ø6mm / Push-in fittings	Air

5 Spare parts

Pos.	Article Number	Designation
01	300 62 563	Pressure switch
02	300 27 148	Pressure gauge
03	301 91 114	Fouling display
04	301 91 309	Filter insert
08	300 39 022	Filling filter
09	300 61 632	Level control
10	300 14 175	Gear pump

6 Accessory parts

Article Number	Designation
300 69 223	Plug connector (Han® Q5 / 5 pole)

7 Scope of Application

Article Number	Designation
300 18 300	Fluid unit