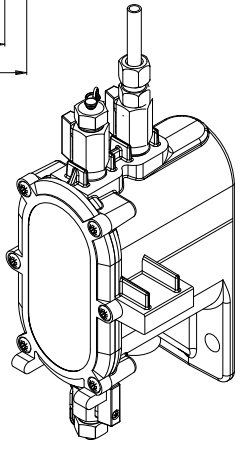


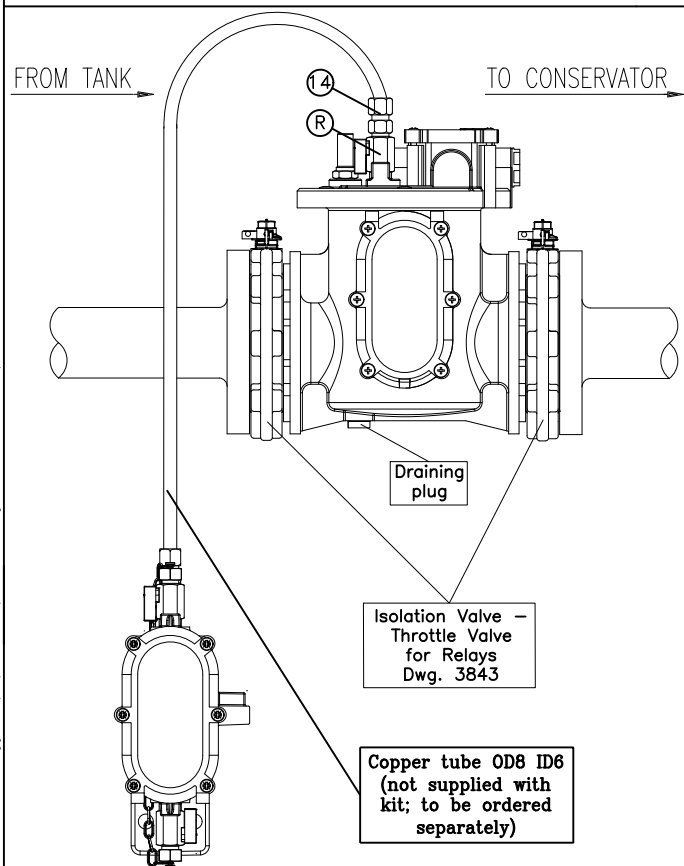
Pos	Description
1	Inspection window
2	Gas release cock
11	Oil drain cock
12	Stop cock
13	Fixing plate
14	Hermeto joint

ORDERING CODES		
MODEL	WINDOW MATERIAL	CODE
RG3.2	TEMPERED GLASS	AB9DPG0172

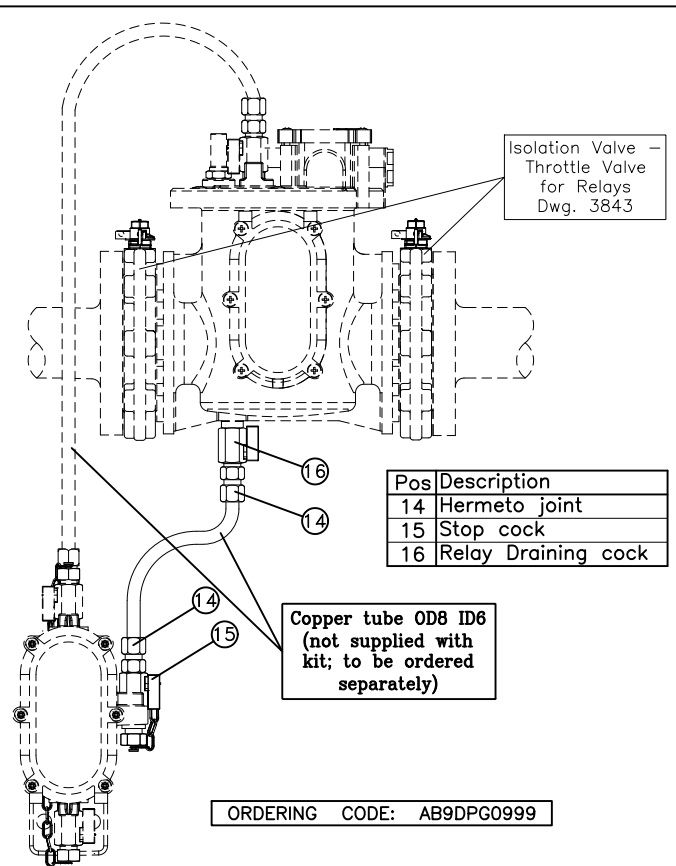


Average weight : ~2.5 Kg

RG3 Mounting sketch



OPTIONAL: Relay oil draining Kit



ORDERING CODE: AB9DPG0999



Titolo
New Gas collecting device RG3.2
 Suitable for relays series EB & ET

Data 31/08/12
 Scala 1:4
 Dis.
 Visto

Dis. Nr
3680
 6 7