

# Type 61216



## Bellows pressure and underpressure limiter



### Characteristics

Range: -80 kPa to 4 MPa in 11 ranges

Contact load: ~ 250V/10A, cos 1

~ 250V/2A, cos  $\phi$  0.6-0.3

= 250V/0,1A

= 48V/0,2A

Protection class: IP 65

Compact design

Connection by means of terminals on the switch or connector (except for switch B)

### Description - use

The main use is for protection from pressure overloading. The main use is for gases and liquids to the temperature of medium up to maximum +120 °C. The limiter type can be selected according to the medium (it is possible to use stainless expansion for gas fuels and aggressive medium). Emergency position is controlled by means of RESET button.

Accessories for ordering include the connection screws M12 or M20x1,5 see. "Accessories".

**According to the opinion of ITI Praha pr. no. 2940/05.02/99/15.07/1 the pressure limiter with stainless expansion type 61216 as a component of the specified pressure device complies with the operating safety conditions for boiler devices with steam boilers without permanent supervision.**

### Technical data

**Ambient temperature:** temperature range -40 to +60°C

**Vibration during**

**operation:**

$f = 10$  to 55 Hz,  $s_a =$  to 0,15 mm

**Min. service life:**

at load by rated values according to the manual and max. speed of cycling up to 6 cycles/min is min. 100 000 cycles

**Connection:**

cable:  $\varnothing 9 \div 13$  mm,

wires: 0,75 at 2,5 mm<sup>2</sup>

0 kPa = atmospheric pressure  
0,1 MPa = 100 kPa = 1 bar

Order No. 405 xxxxx xxxx *)		Microswitch		Range	Unstability	Diference	Operating pressure [ $p_{max}/p_{min}$ ] ***)	Hydraulic test pressure	Units	L/D [min] see dimension table	Weight [kg]	
Design		A **)	B									
T	61216	6011	6111	-80 to 250	15	15	350/N	800	kPa	169/34	0,6	
T	61216	6021	6121	4 to 63	2	2	190/0	400		187/63	0,8	
T	61216	6022	6122	10 to 100	3							
T	61216	6023	6123	16 to 160	4							
T	61216	6031	6131	25 to 250	10	10	460/N	660		167/43,5	0,6	
T	61216	6032	6132	40 to 400	15							
T	61216	6041	6141	63 to 630	20	20	1700/N	2500	MPa	169/34		0,6
T	61216	6042	6142	0,1 to 1	0,03	0,03	1,7/N	2,5				
T	61216	6043	6143	0,16 to 1,6	0,04					0,12		
T	61216	6051	6151	0,25 to 2,5	0,05	0,2	5/N	7,2				

\*) Order number for devices with stainless bellows or connector comprises of basic ordering number according to the table and additional number 10 (stainless bellows), 11 (stainless bellows + connector), 01 (connector)

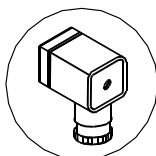
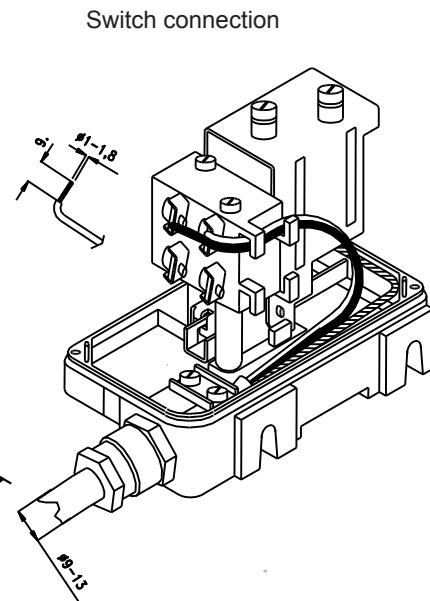
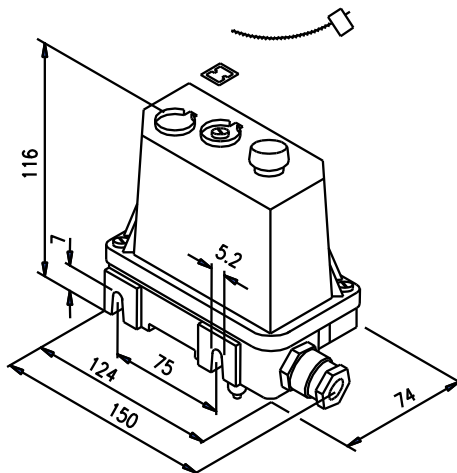
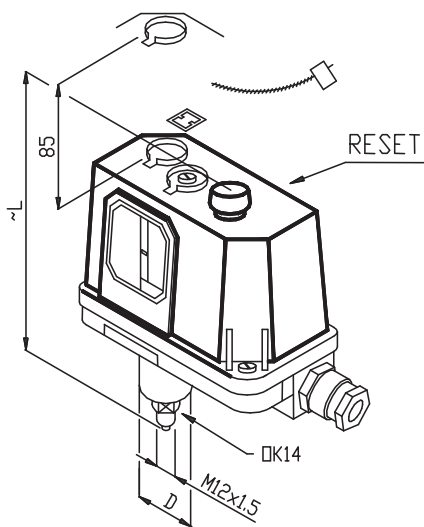
\*\*\*) Design with microswitch A only custom made

\*\*\*\*) N - underpressure unlimited

\*\*\*\*\*) Dimension drawing as type 61218

Due to continual technical development the manufacturer reserves the right to change parameters without prior notification.

Dimension drawing



**Connector** - ordered with additional number **01** after ordering number of the limiter with switch A (custom made)

Height above the limiter necessary for tilting the lid is approx 85 mm.

Ordering devices

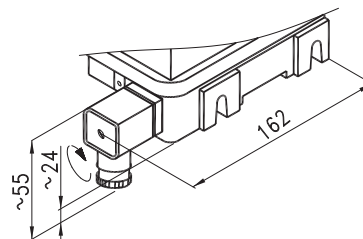
Code	Name
<b>405 61216</b>	Bellows pressure and underpressure limiter
Code	Design
<b>6</b>	T
Code	Switch type
<b>0</b>	A (custom made)
<b>1</b>	B
Code	Range
<b>11</b>	-80 to 250 kPa
<b>21</b>	4 to 63 kPa
<b>22</b>	10 to 100 kPa
<b>23</b>	16 to 160 kPa
<b>31</b>	25 to 250 kPa
<b>32</b>	40 to 400 kPa
<b>41</b>	63 to 630 kPa
<b>42</b>	0,1 to 1 MPa
<b>43</b>	0,16 to 1,6 MPa
<b>51</b>	0,25 to 2,5 MPa
<b>52</b>	0,4 to 4 MPa
Code	Custom made
<b>10</b>	stainless bellows
<b>11</b>	stainless bellows + connector
<b>01</b>	connector

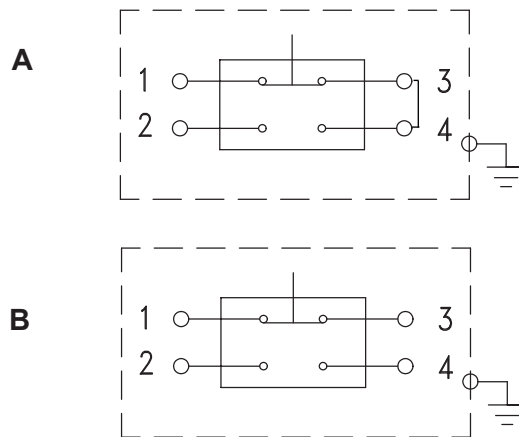
<b>405 61216</b>	<b>6</b>	<b>1</b>	<b>22</b>	-	Ordered No.
------------------	----------	----------	-----------	---	-------------

**Order example:** bellows pressure limiter, design T, switch B, range 10-100 kPa

Design with connector



Connecting switches (type A, B)



Switches 2-4 at increasing pressure and disconnects 1-3

Warranty

24 months warranty is provided from the delivery date unless specified otherwise in the purchase contract.