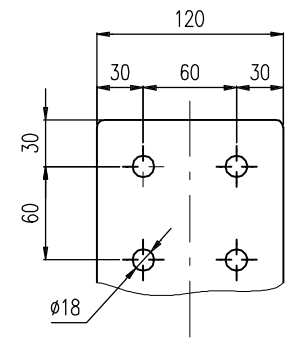
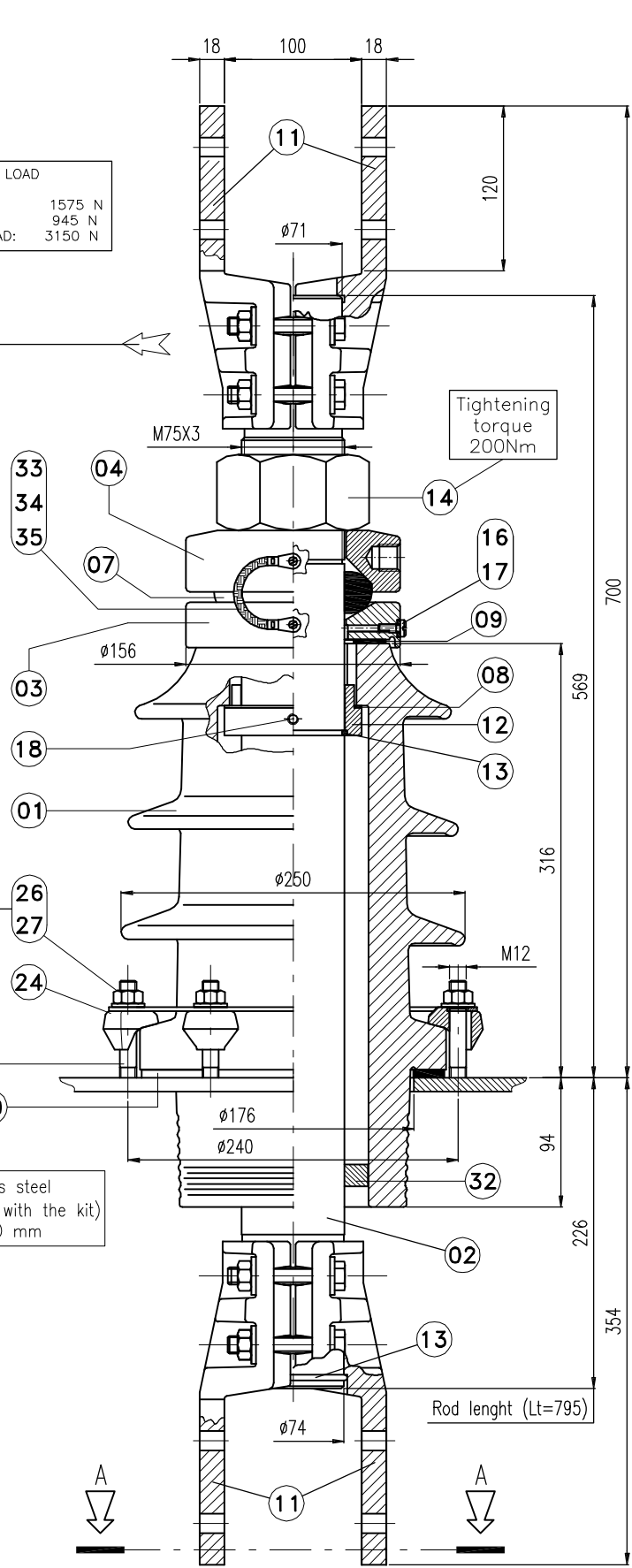


CANTILEVER OPERATING LOAD
 - VERTICAL: 1575 N
 - INCLINED 30°: 945 N
 - OPERATING TEST LOAD: 3150 N

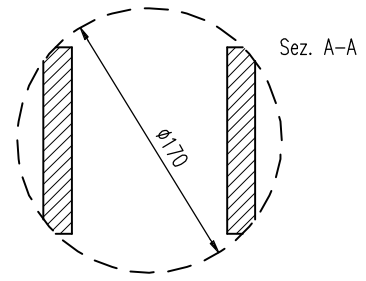
Tightening torque 200Nm

Tightening torque 25Nm

n° 6 fixing studs steel M12x70 (not supplied with the kit) Bolt circle 240 mm

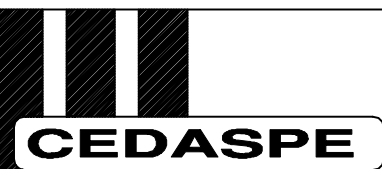


Pos.	Description
1	Porcelain
2	Copper rod
3	Brass cap "E"
4	Brass top washer "F"
7	NBR ring gasket "J"
8	Gasket "O"
9	NBR gasket "M"
10	NBR Flange gasket "N"
11	Brass Flag
12	Brass ring "P"
13	Copper ring "S"
14	Brass nut M75 DIN 934
16	Fiber gasket
17	Vent/screw "R"
18	Locking screw
24	S/S fixing ring
25	Alluminium clamping piece "F"
26	Nuts M12 DIN934 (AISI304)
27	Washer ø13 (AISI304)
28	Fixing stud M12x70 (not supplied)
32	Center ring
33+35	Equipotential link



Bushing	Voltage kV	Current A	Creepage distance mm	PF 1'	BIL kV	Z n° of sheds	G.W. Kg
20/6300	24	6300	440	55	125	3	80

Bushing Acc. to IEC 60137 ed. 6.0



Titolo
**OUTDOOR TRANSFORMER
 BUSHING TYPE 20/6300**

Data	11/03/13	Dis. Nr
Scala	1:5	
Dis.		3812
Vista		