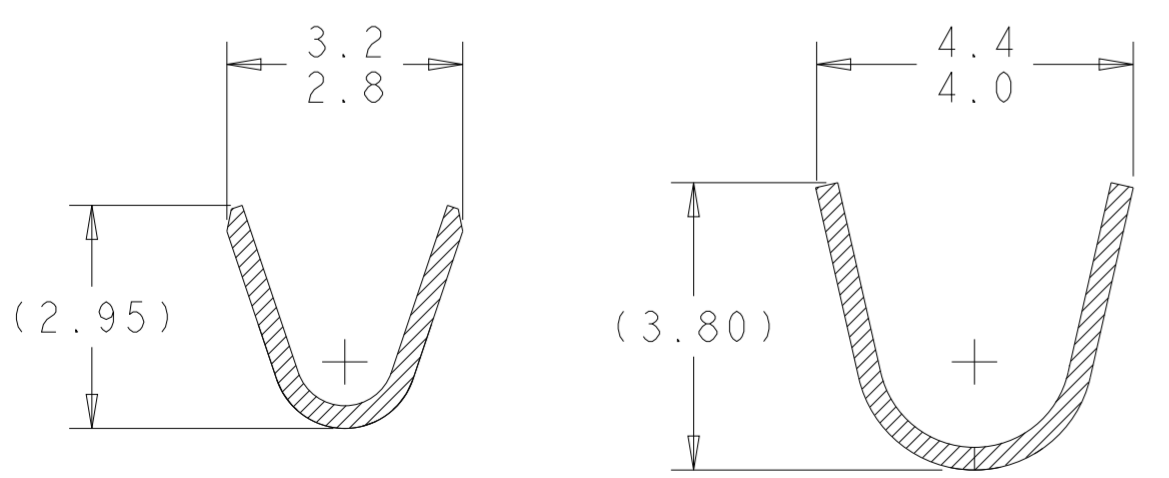
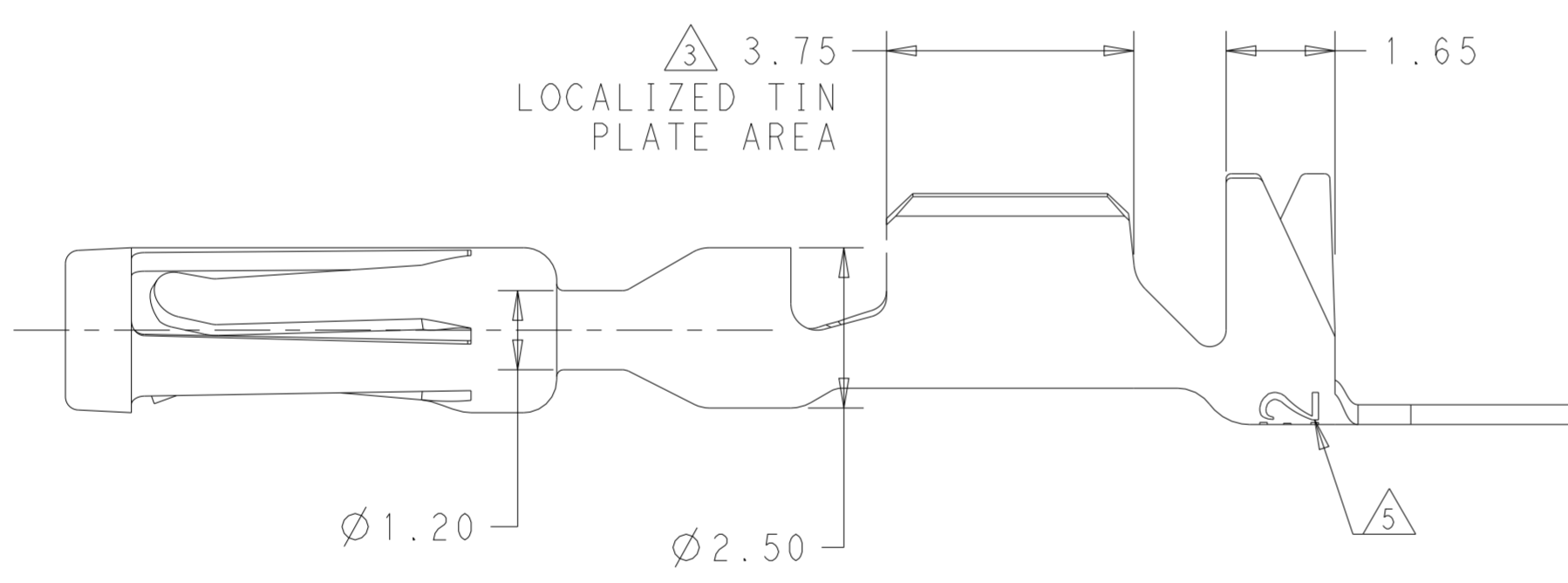
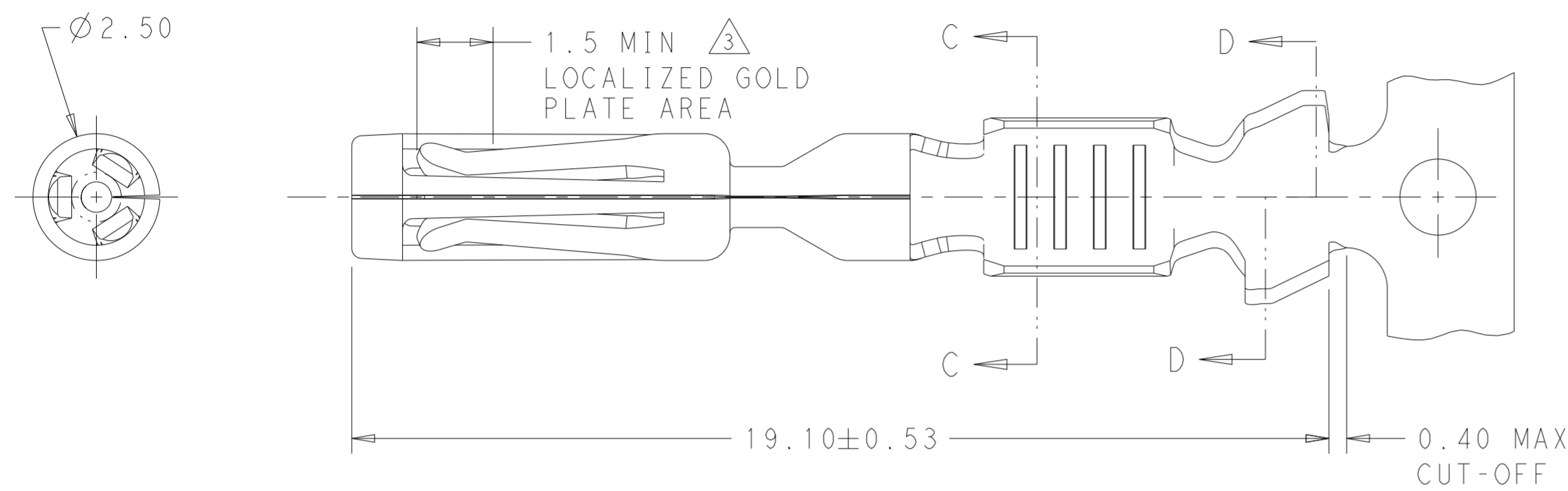


THIS DRAWING IS UNPUBLISHED. RELEASED FOR PUBLICATION 2012
 © COPYRIGHT copyright dbYTE CONNECTIVITY ALL RIGHTS RESERVED.

REVISIONS				
P	LTR	DESCRIPTION	DATE	APVD
E3		REV PER ECN-21-124923	08NOV2021	DS DS
-	-	-	-	-
-	-	-	-	-
-	-	-	-	-



- THE WIRE SIZES QUALIFIED FOR THIS TERMINAL ARE LISTED BELOW SHOWING THE AWG SIZE AND THE METRIC EQUIVALENT
 20AWG - 0.5mm²
 18AWG - 0.8mm²
 16AWG - 1.0mm²
 THE TERMINAL HAS ALSO BEEN QUALIFIED TO THE SPECIFIC METRIC WIRE SIZES LISTED BELOW
 1.0mm²FLRY
 1.5mm²FLRY
- INSULATION RANGE: 1.10-2.70.
- $\triangle 3$.00075 MIN GOLD IN THE LOCALIZED GOLD PLATE AREA, .0025 MIN MATTE TIN IN THE LOCALIZED TIN PLATE AREA OVER .00125 MIN NICKEL OVER ENTIRE CONTACT
- USED WITH AMPSEAL PLUG ASSEMBLY: 776286, 776273, 770680, 776164
- $\triangle 5$ DIE IDENTIFIER, T275 AND TE2, LOCATED IN THIS AREA.

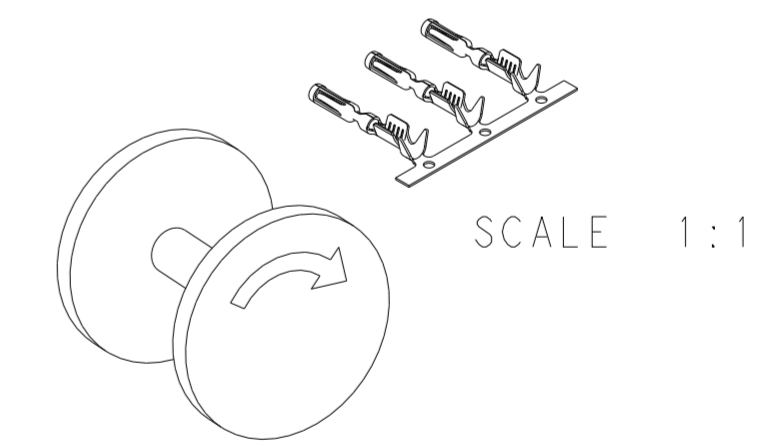


FIGURE 1
FINAL PAYOUT DIRECTION

770854-3	16-20	GOLD $\triangle 3$	0.30 COPPER ALLOY	770520-3
770854-1	16-20	TIN	0.30 COPPER ALLOY	770520-1
LOOSE PIECE	WIRE GAGE AWG	FINISH	MATERIAL	PART NUMBER

THIS DRAWING IS A CONTROLLED DOCUMENT.

DWN R. VESTAL 19 JUN 2012
 CHK D. STRAUSSER 19 JUN 2012
 APVD D. STRAUSSER 19 JUN 2012

STE TE Connectivity

NAME CONTACT, AMPSEAL

PRODUCT SPEC 108-1329
 APPLICATION SPEC 114-16016

MATERIAL SEE TABLE
 DIMENSIONS: mm
 TOLERANCES UNLESS OTHERWISE SPECIFIED:
 0 PLC ±
 1 PLC ±
 2 PLC ±
 3 PLC ±
 4 PLC ±
 ANGLES ±
 FINISH SEE TABLE

SIZE A2
 CAGE CODE 00779
 DRAWING NO C-770520
 RESTRICTED TO

CUSTOMER DRAWING SCALE 10:1 SHEET 1 OF 1 REV E3

Mouser Electronics

Authorized Distributor

Click to View Pricing, Inventory, Delivery & Lifecycle Information:

[TE Connectivity:](#)

[770520-1](#)