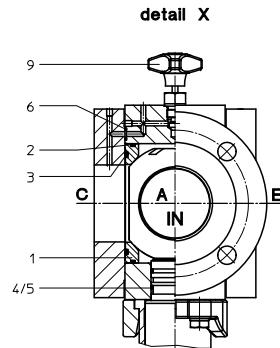
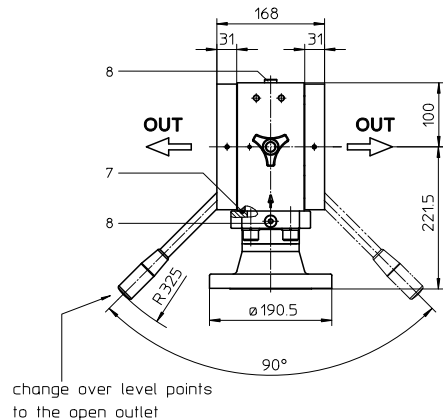
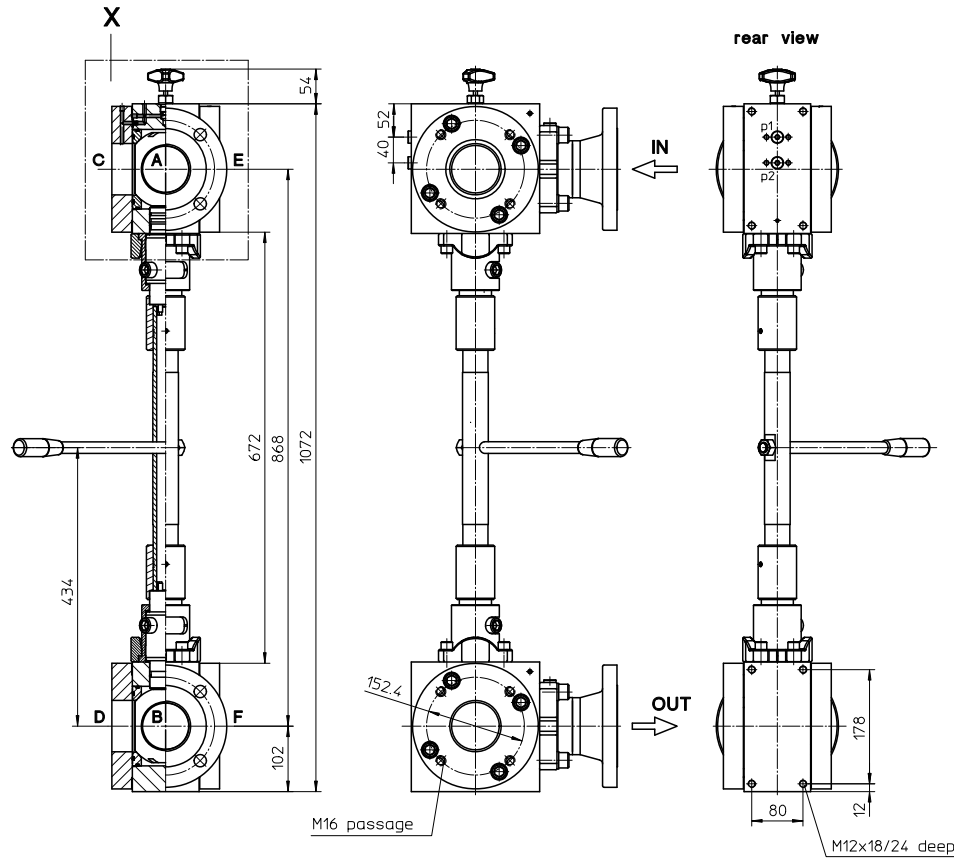


# STAINLESS STEEL-CHANGE OVER BALL TAPS

Series EUKK.51116 DN 80 PN 20

Sheet No.  
51116-4A



p1 = measuring connection at A  
p2 = measuring connection at B

## 1. Type index: (ordering example)

**EUKK. 51116. FA11. A. FA11. A. 20. P. VA**

1	2	3	4	5	6	7	8	9
---	---	---	---	---	---	---	---	---

- series:**  
EUKK = stainless steel change over ball taps
- execution** according to sheet-no: 51116
- connection at A-B:**  
FA11 = ANSI-flange 150 PSI, sealing surface  $R_z = 160 \mu\text{m}$  (not finer than  $40 \mu\text{m}$ )
- connection size:**  
A = 3" (DN80)
- connection at C-D-E-F:**  
FA11 = ANSI-flange 150 PSI, sealing surface  $R_z = 160 \mu\text{m}$  (not finer than  $40 \mu\text{m}$ )
- connection size:**  
A = 3" (DN80)
- nominal pressure:**  
20 = 20 bar
- sealing material:**  
P = Nitrile (NBR)  
V = Viton (FPM)
- execution:**  
VA = stainless steel (316/A4)

## 2. Spare parts:

item	qty.	designation	dimension	article-no.	
1	4	gasket, complete	DN 80	320394 (NBR)	322720 (FPM)
2	4	O-ring	110,72 x 3,53	316355 (NBR)	316356 (FPM)
3	4	O-ring	98 x 4	301940 (NBR)	304765 (FPM)
4	3	O-ring	45 x 3	304991 (NBR)	304997 (FPM)
5	2	supporting ring	50 x 45,2 x 5	318245	
6	2	O-ring	8 x 2	310004 (NBR)	316530 (FPM)
7	2	O-ring	85,32 x 3,53	305590 (NBR)	306308 (FPM)
8	4	screw plug	G 1/4	306968	
9	1	pressure balance valve	DN 10	310316	

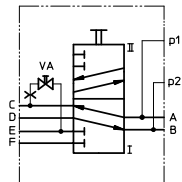
## 3. Description:

The EUKK.51116 ball change over consists of rigidly connected 2/3-way valves. The control elements are control balls with L-shaped holes, which are connected mechanically by means of a changeover key. The change-over cover is negative, i.e. paths A-C-E and B-D-F are connected when in the centre position. Measuring connections p1 and p2 are available for connections A and B. Paths C and E are connected by a stop cock, which can be used for filling or pressure compensation of a user unit connected to either C or E connection.

## 4. Technical data:

operating temperature: +80°C (for a short time +100°C)  
operating pressure: 20 bar  
test pressure: 29 bar  
connection system: ANSI-flange 150 PSI  
housing material: type 316 (1.4401)  
316L (1.4404)  
316Ti (1.4571)  
bolting: A4, SA193-B8M  
sealing material: Nitrile (NBR) or (Viton)  
measuring connections: G 1/4  
operating medium: mineral oil

## 5. Switching symbol:



Changes of measures and design are subject to alteration!