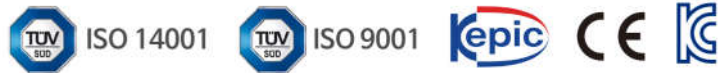


QUICK FLOAT TYPE LEVEL SWITCH

HQ Series



www.hitrol.com

Overview

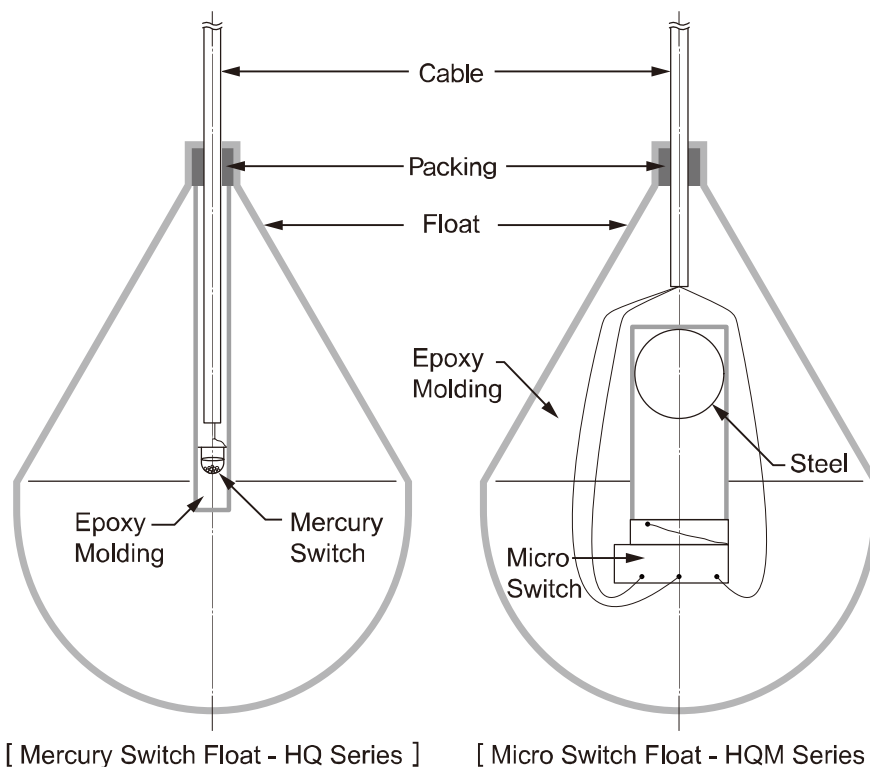
HQ Series is a Quick Float Type Level Switch which is suitable to control liquid levels in general industries, especially wastewater treatment plant and it is designed to use easily with strong structure.

Characteristics

- Simple installation
- Easy adjustment at the site
- Strong to corrosion due to no metal exposed part and long life cycle
- Simple appearance and structure
- Applicable to wastewater having floating material and high viscosity liquid

Operating Principle

- When liquid level increases, float rises by buoyancy.
- When float reaches to the setting point, the built-in mercury switch or micro switch in the float is operated with switch ON or OFF.
- When liquid level decreases, the switch is operated contrary to above situation.



Specification

► HQ-66 Series

Model	HQ-66	HQ-66S
Mounting	Flange	
Enclosure	Weather Proof, IP54	
Process Pressure	ATM	
Process Temperature	Max. 60°C	Max. 150°C
Switch Type	Mercury Switch	
Contact Rating	AC 110V, 1A / DC 24V, 0.5A	
Contact Form	SPST (std.) / SPDT	
Head Material	ABS (std.), SS41, SUS 304	SS41 (std.), SUS304
Process Connection	100A JIS 10K FF (std.)	100A JIS 10K RF (std.)
Flange Material	ABS (std.), PVC	SUS 304
Float Material	ABS (ø80)	SUS 316L (ø73)
Cable Material	NBR (std.), Polyurethane	Silicon
Weight Material	ABS (std.), SUS 316L	SUS 316L
Cable Entry	ABS : PF 1/2"(F) (std.) / SS41, SUS 304 : PF3/4" (std.)	
Measuring Length	6m (std.)	
Application	General liquids such as water (Cable:NBR), Acidic or oily liquids (Cable:Polyurethane)	High temperature liquids

► HQ-36 Series, HQM-77 Series

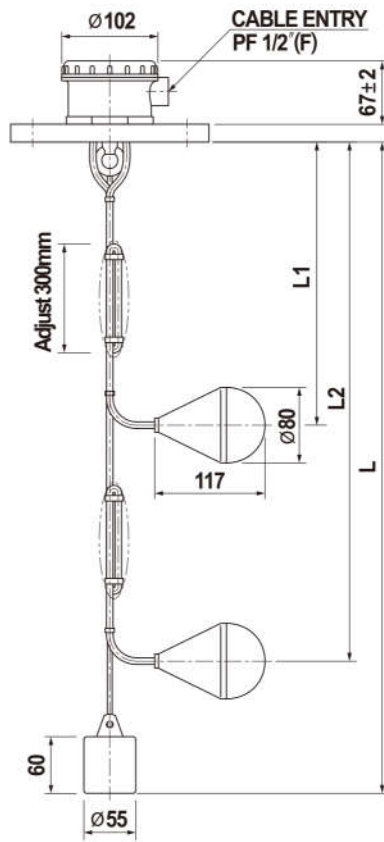
Model	HQ-36	HQM-77
Mounting	Flange	
Enclosure	Weather Proof, IP54	
Process Pressure	ATM	
Process Temperature	Max. 60°C	
Switch Type	Mercury Switch	Micro Switch
Contact Rating	AC 110V, 1A / DC 24V, 0.5A	AC 250V, 3A
Contact Form	SPST	SPDT
Head Material	ABS (std.), SS41, SUS 304	
Process Connection	80A JIS 10K FF (std.)	100A JIS 10K FF (std.)
Flange Material	ABS (std.), PVC	
Float Material	ABS (ø60)	ABS (ø80)
Cable Material	NBR	NBR (std.), Polyurethane
Weight Material	ABS (std.), SUS 316L	
Cable Entry	ABS : PF 1/2"(F) (std.) / SS41, SUS 304 : PF3/4" (std.)	
Measuring Length	6m (std.)	
Application	General liquids such as water	General liquids such as water (Cable:NBR), Acidic or oily liquids (Cable:Polyurethane)

► **Order Code** can be printed at our website (www.hitrol.com)

Dimension

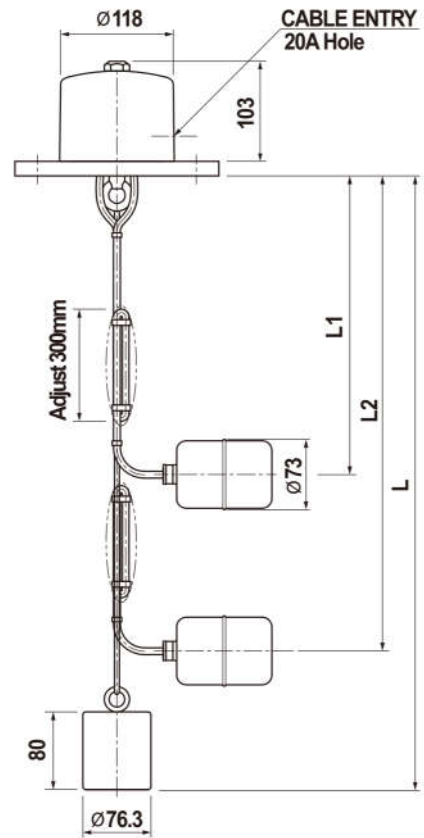
HQ-66
HQM-77

(ABS HEAD)



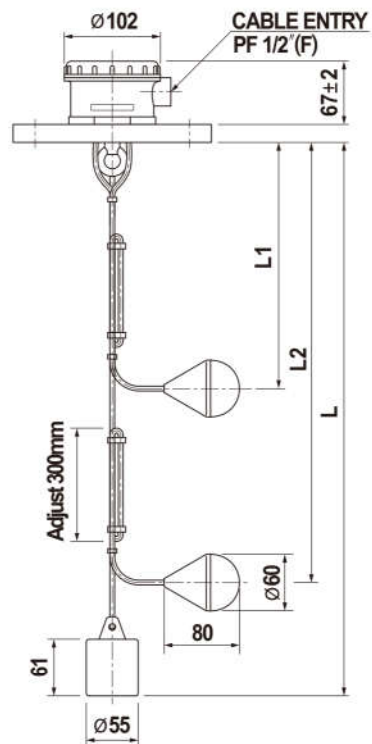
HQ-66S

(C.S or SUS 304 HEAD)

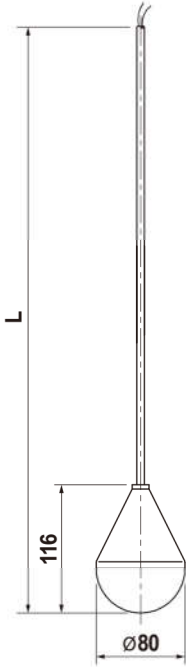


HQ-36

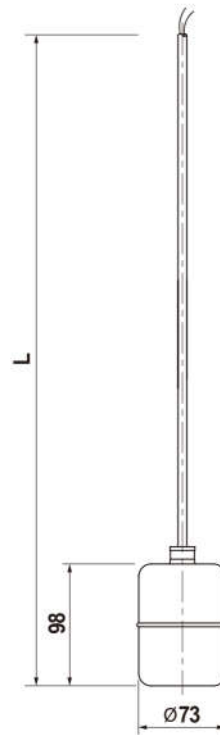
(ABS HEAD)



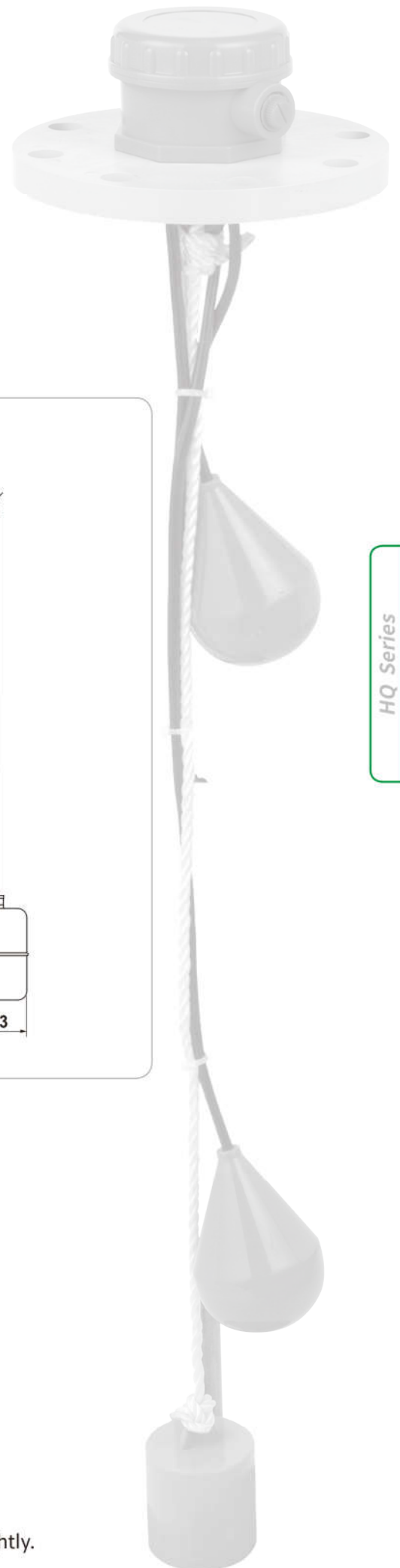
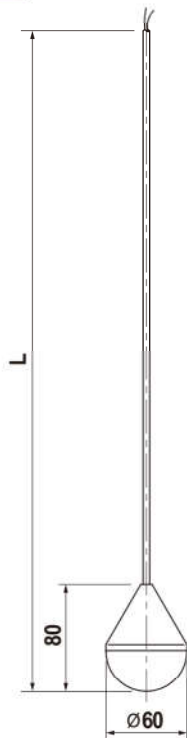
HQ-6
HQM-7



HQ-6S



HQ-3



HQ Series

■ Actual product may have a tolerance slightly.

QUICK FLOAT TYPE LEVEL SWITCH

HQ Series

1 High performance & economic price

2 Suitable for wastewater and sewage

3 Easy adjustment and maintenance

 hitrol@hitrol.com

 www.hitrol.com

* Design of product can be changed for upgrade without notice.