

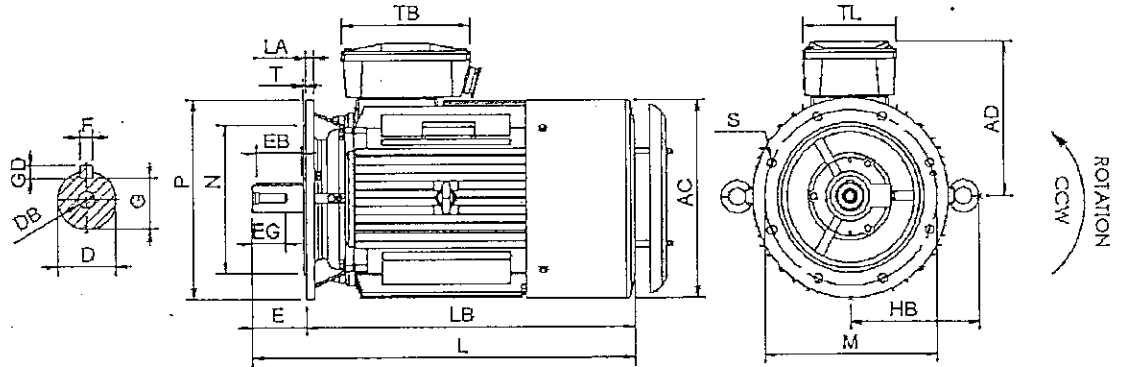
Data Sheet

# HOYER

MOTORS

Customer ref.: NANIWA PUMP MFG. CO.LTD  
 Project.....: KT14-S069  
 Shipyard.....: JIANGNAN SHIPYARD  
 Hull.....: H2567s  
 Mark 1.....: POS.04  
 Mark 2.....: MAIN L.O. PUMP

Ver.: R6



AC = 546	EB = 110	H = 280	LB = 815	S = 8 - Ø18,5
AD = 403	EG = 56	HB = 372	LD = 1071	T = 5
B = 0	F = 20	HD = 683	M = 500	TB = 305
D = 75	G = 67,50	L = 955	N = 450	TL = 230
DB = M20	GD = 12	LA = 22	P = 550	
E = 140				

Type .....: YZE2 280S-4  
 Mounting .....: V1RC  
 Protection class .....: IP55  
 Insulations class .....: F  
 Standard .....: IEC 60034-1  
 Test standard .....: IEC 60034-2-1  
 Altitude above s.l. max. (m) : 1000  
 Cooling method .....: IC411/TEFC  
 Poles .....: 4  
 Painting .....:  
 DE. Bearing .....: 6317/C3  
 NDE. Bearing .....: 6314/C3  
 Bearing fixed in .....: D-end  
 Weight (kg) .....: 524

Rotor inertia (kgm<sup>2</sup>) .....: 1,1  
 Noise level (dB(A)) .....: 73  
 Vibration class .....: Grade-A  
 No load current (A) .....: 32  
 Winding resistance (ohm) : 0,058  
 Starting time .....:  
 Temperature rise winding : 69  
 Temperature rise surface : 51  
 Cable glands .....: 2 x M50 + 2 x M20  
 Clamping range .....: Ø22-32mm, Ø6-12mm  
 Blind plug .....: NONE  
 Terminal board thread .....: M10  
 Thermal protection .....: PTC 3x155C  
 Space heater .....: 1 x 100W / 220V  
 Starting method .....: Y/D

Rated power (kW) .....: 75,0  
 Frequency (Hz) .....: 60  
 Voltage (V) .....: 440  
 Connection .....: D  
 Full load current (A) .....: 120  
 Speed (rpm) .....: 1770  
 Power factor cos(phi) .....: 0,88  
 Efficiency, 100/75/50 (%) : 92,5 92,5 91,4  
 Efficiency class .....: IE1  
 Ist/In .....: 7,2  
 Full load torque (Nm) .....: 403  
 Tst/Tn .....: 2,2  
 Tmax /Tn .....: 2,3  
 Duty .....: S1  
 Ambient temp. (°C) .....: 45

According to .....:  
 Special features .....: Direction of rotation CCW marked by red arrow