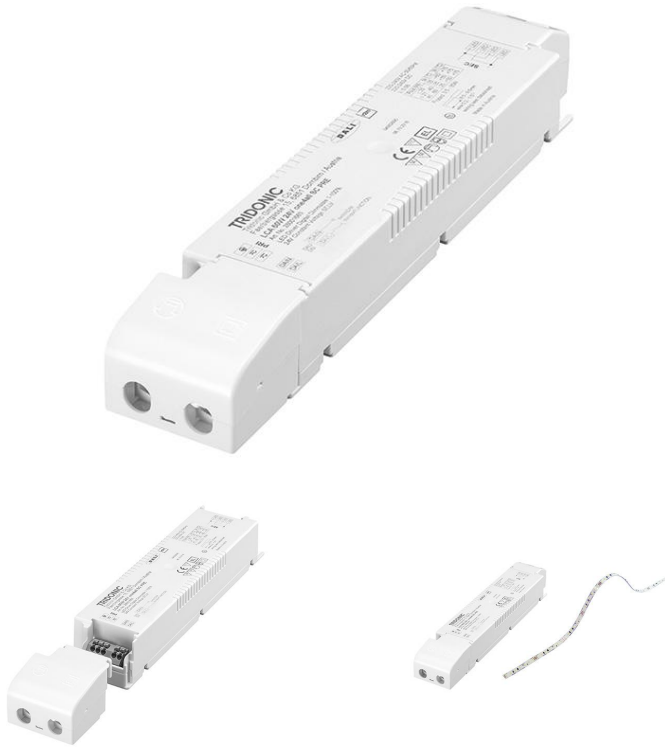


Driver LCA 60W 24V one4all SC PRE

PREMIUM series



System solution

Product description

- _ Dimmable 24 V constant voltage LED Driver for flexible constant voltage strips
- _ One4all interface and ready2mains enable different dimming options
- _ Dimming range 1 to 100 %
- _ No additional external dimmer is needed
- _ Suitable for emergency escape lighting systems acc. to EN 50172
- _ Nominal life-time up to 50,000 h
- _ 5-year guarantee

Typical applications

- _ Cove lighting, facade accent lighting, ceiling integration

Technical details

- _ 24 V, 60 W
- _ Small design (225 x 43 x 30.2 mm) with stretched-compact strain relief
- _ Small cross section
- _ Push terminals for simple wiring
- _ 2 output channels (+/-) for more flexibility in the application

Interfaces

- _ one4all (DALI DT 6, DSI, switchDIM, corridorFUNCTION)
- _ ready2mains (configuration and dimming via mains)
- _ Terminal blocks: 45° push terminals

System solution

- _ Tridonic LLE-FLEX ADV 600, 1200, 1800 lm/m
- _ Tridonic LLE-FLEX EXC 600, 1200, 1800, 2500 lm/m
- _ In connection with Flex accessories wire to PCB plug

Website

<http://www.tridonic.com/28001663>



Spotlights



Downlights



Linear



Area



Floor | Wall



Free-standing



Street



Decorative

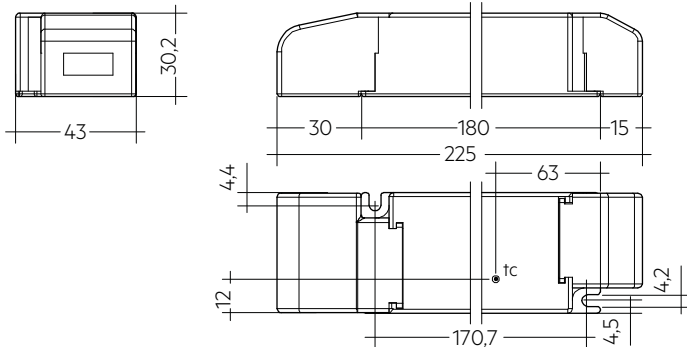


High bay

Driver LCA 60W 24V one4all SC PRE

PREMIUM series

The complete data sheet for this product is available in the Downloads section.



Ordering data

Type	Article number	Packaging, carton [®]	Packaging, pallet	Weight per pc.
Multi packaging				
LCA 60W 24V one4all SC PRE	28001663	10 pc(s).	390 pc(s).	0.18 kg

Technical data

Rated supply voltage	220 – 240 V
AC voltage range	198 – 264 V
DC voltage range	176 – 280 V
Mains frequency	0 / 50 / 60 Hz
Typ. rated current (at 230 V, 50 Hz, full load) ^①	295 mA
Typ. current (220 V, 0 Hz, full load, 15 % dimming level)	59 mA
Leakage current (at 230 V, 50 Hz, full load) ^①	< 320 A
Max. input power	67 W
Typ. efficiency (at 230 V, 50 Hz, full load)	93 %
λ (at 230 V, 50 Hz, full load) ^①	0.98
Typ. power input on stand-by ^②	< 0.2 W
Typ. input current in no-load operation	35.8 mA
Typ. input power in no-load operation ^②	2.05 W
In-rush current (peak / duration)	32.2 A / 187 s
THD (at 230 V, 50 Hz, full load) ^①	< 5.3 %
Time to light (at 230 V, 50 Hz, full load) ^①	< 0.6 s
Time to light (DC mode)	< 0.3 s
Switchover time (AC/DC)	< 0.3 s
Turn off time (at 230 V, 50 Hz, full load)	< 3 ms
Output voltage tolerance	± 1 V
Output LF voltage ripple (< 120 Hz)	± 5 %
Max. output voltage (no-load voltage)	60 V
PWM frequency	~ 1 kHz
Dimming range	1 – 100 %
Mains surge capability (between L - N)	1 kV
Mains surge capability (between L/N - PE)	2 kV
Dimensions L x W x H	225 x 43 x 30.2 mm

Approval marks



Standards

EN 55015, EN 61000-3-2, EN 61000-3-3, EN 61347-1, EN 61347-2-13, EN 62384, EN 61547, EN 62386-101, EN 62386-102, EN 62386-207, Acc. to EN 50172, Acc. to EN 60598-2-22

Specific technical data

Type	Load	Forward voltage	Output current	Max. output power (at 24 V, full load)	Typ. power consumption (at 24 V, full load)	Typ. current consumption (at 24 V, full load)	tc point max.	Ambient temperature t_a
LCA 60W 24V one4all SC PRE	10 %	24 V	0.25 A	6 W	8.9 W	61 mA	75 °C	-25 ... +60 °C
LCA 60W 24V one4all SC PRE	20 %	24 V	0.50 A	12 W	15.3 W	88 mA	75 °C	-25 ... +60 °C
LCA 60W 24V one4all SC PRE	30 %	24 V	0.75 A	18 W	21.4 W	106 mA	75 °C	-25 ... +60 °C
LCA 60W 24V one4all SC PRE	40 %	24 V	1.00 A	24 W	27.8 W	132 mA	75 °C	-25 ... +55 °C
LCA 60W 24V one4all SC PRE	50 %	24 V	1.25 A	30 W	34.1 W	157 mA	75 °C	-25 ... +55 °C
LCA 60W 24V one4all SC PRE	60 %	24 V	1.50 A	36 W	40.6 W	184 mA	75 °C	-25 ... +55 °C
LCA 60W 24V one4all SC PRE	70 %	24 V	1.75 A	42 W	47.0 W	212 mA	75 °C	-25 ... +50 °C
LCA 60W 24V one4all SC PRE	80 %	24 V	2.00 A	48 W	53.5 W	239 mA	75 °C	-25 ... +50 °C
LCA 60W 24V one4all SC PRE	90 %	24 V	2.25 A	54 W	60.0 W	267 mA	75 °C	-25 ... +50 °C
LCA 60W 24V one4all SC PRE	100 %	24 V	2.50 A	60 W	66.4 W	295 mA	75 °C	-25 ... +50 °C

① Valid at 100 % dimming level.

② Depending on the DALI traffic at the interface.

③ The strain relief is included in both packaging variants. In the single packaging each Driver has also an individual packaging.