

Features

- Quad-stream support of dual H.264, MPEG-2, MPEG-4, and MJPEG
- Image quality monitor and tamper detector
- 35x Optical zoom / 12x Digital zoom
- Day/Night with IR-cut filter / WDR / BLC
- NEMA TS 2 compliant / NTCIP protocol support
- Electronic image stabilisation
- 400° /s preset targeting
- 360° Continuous rotation
- 256 Presets / 8 programmable cruises
- Two-way audio; digital I/O
- Analog output/optical output options



HSD626

IP PTZ dome with D/N and Wide Dynamic Range (outdoor)

Description

The Siquira® HSD626 is an outdoor High speed PTZ dome camera with exceptional imaging controls to provide excellent pictures even in the most difficult circumstances.

High-speed dome

The HSD626 high-speed PTZ dome camera combines a 35x autofocus zoom lens with 12x digital zoom. Precision 400° per second pan and tilt drive technology offers almost instant preset positioning. This camera's robust feature set includes multiple sequences, cruises, and autopan functions.

Image quality monitor and tampering alarm

The HSD626 is fitted with video analytics to check the health of the camera. This image quality monitor analyses contrast, exposure, sharpness and noise. Camera tampering analytics detect all changes in the camera's position or field of view. The instant a camera is subject to failure or tampering, an alert can be raised.

Enhanced video quality

Modern flat LCD monitors show artefacts with standard PAL or NTSC video. Standard deinterlacing loses half of the vertical resolution. Siquira's sophisticated deinterlacing scheme optimises vertical resolution resulting in superior video images without artefacts.

NEMA TS 2

The HSD626 has been tested and approved according to the NEMA TS 2 standard.

Open Streaming Architecture (OSA) and ONVIF

The HSD626 is designed with OSA offering standardised streaming video and remote control based on international standards and tested with different vendors. A comprehensive HTTP API gives access to all controls and makes integration easy. The HSD626 also fully supports ONVIF and is listed as ONVIF Profile S conformant.

Multistream/multicodec

The versatile HSD626 camera is capable of quad streaming, with dual H.264 streams simultaneous with two flexible encoding outputs which can provide MPEG-2, MPEG-4 or MJPEG streams. Each stream is optimised for its purpose. The H.264 implementation is based on dedicated hardware resulting in unparalleled video quality.

Day/Night, BLC, and WDR

The HSD626 provides automatic day/night functionality for use in low-light situations. Backlight compensation (BLC) enhances image visibility in difficult lighting situations. This ensures quality pictures at all times. Wide dynamic range (WDR) solves the problem of overlit images by applying dynamic gain.

Audio, I/O contacts, and analogue output

By combining streaming video with duplex audio and I/O contacts over IP, the HSD626 provides all the interfaces necessary for any IP CCTV application. The HSD626 is a hybrid solution and can provide local video for a public view monitor or local DVR.



HSD626

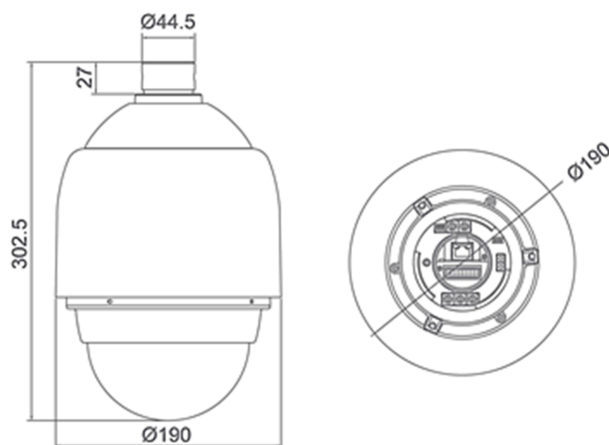
Image stabiliser

When the camera is in its maximum zoom range, every small movement of the camera gives relatively large movement in the picture. The image stabiliser digitally compensates this movement for a stable picture. This feature is especially useful for pole-mounted cameras.

SFP interface accessory

The HSD626 comes with an SFP interface as an alternative to the RJ-45 Cat5 Ethernet connection. It supports the XSNet SFP range for Ethernet over fiber and the ECO-plug™ for Ethernet over coax.

Technical Specifications



Camera

Image sensor	1/4" CCD
Image resolutions	NTSC/PAL
D1	720x480/720x576
1/2 D1	352x480/352x576
2/3 D1	480x480/480x576
4CIF	704x480/704x576
2CIF	720x240/720x288
CIF	352x240/352x288
QCIF	176x120/176x144
VGA	640x480
QVGA	320x240
Image resolution - horizontal	540 TVL / 540 TVL
Effective pixels	410 k / 470 k
Electronic shutter	1~1/30000 s
Signal-to-noise ratio	>50 dB (AGC off)
Minimum scene illumination	0.1 lux colour, 0.01 lux (b/w)
Video output	1 Vpp, 75 Ω, RJ-45, BNC
Focal length	3.4~119 mm
Focus mode	Auto/manual

Technical Specifications

HSD626

Image control

Wide dynamic range	On/Off (ratio/, shutter, iris levels 0-128)
Backlight compensation	On/Off
White balance	Auto/manual
Iris control	Auto/manual
Automatic gain control	Auto/manual
Day/Night (IR-cut filter)	On/Off
Digital slow shutter	On/Off
Digital zoom	12x
Optical zoom	35x

Pan / Tilt

Pan travel	360° continuous
Tilt travel	-10°~190°
Preset speed	400°/s
Manual speed	0.5°~90°/s
Presets	256 presets
Preset accuracy	+/- .100°
Cruise	8
Sequence	8
Autopan	4
Proportional pan and tilt	On/Off
Resume after power loss	Yes
Zone title	16
Home function	Preset, sequence, autopan, cruise
Autoflip	Digital, mechanical, off

Functions

Privacy masks	8 (black/white/mosaic)
Directional on-screen display	Compass direction, azimuth, elevation
PTZ coordinate data	Via API or Pelco D (set/get)
Electronic image stabiliser	On/Off (5 Hz/10 Hz)

Technical Specifications

HSD626

Video

Number of video streams	2x H.264, 2x MPEG-4, MPEG-2, and/or MJPEG
Frame rate	1 to 30 fps
Compression algorithm(s)	H.264 BP (ISO/IEC 14496-10), MPEG-4 SP Layer 5 (ISO/IEC 14496-2), MPEG-2 (ISO/IEC 13818-2), MJPEG
Types of streaming	UDP/IP (multicast and/or unicast), TCP/IP (RTP over RTSP)
Number of output streams	Up to 20
Video motion detection	Yes (user-defined masking)
Encoding latency	<130 ms typ
GOP structure	I, IP selectable/user profiles
Quad streaming	2x D1 at 30 fps H.264 + D1 at 30 fps MPEG-4 + CIF at 1 fps MJPEG
Output data rate	Up to 20 Mb/s (CBR or VBR selectable/user profiles)
Video settings	User profiles, contrast, brightness, colour saturation, hue, sharpness
On-screen display	3x text lines (configurable: position, colour, border/outline colour, font size) 1x image in BMP, GIF, or JPEG format (configurable: position, scaling)

Audio

Two-way audio	Line out, line in/mic in (jack Ø3.5 mm)
---------------	---

Digital I/O

Inputs	8
Outputs	1
Reactions	Preset/Sequence/Autopan/Cruise

Memory

Internal memory	256 MB (140 MB available)
-----------------	---------------------------

Network

Interface(s)	RJ-45 (factory installed) or SFP cage (accessory included); SFP modules not included
Protocols	H.264 BP, MPEG-4 ES, MPEG-2, RTP, UDP, IP, DHCP, IGMPv2, RTSP, (S)NTP, MX/IP, HTTP, SNMP v2, DiffServ, SAP, UPnP, ONVIF, NTCIP

Powering

Power consumption	15 W (minimum) / 20 W (recommended); 73 W with heater
Power	19.2 - 28.4 VAC (24 Vac nominal +/- 20%)

Environmental

Operating temperature	Continuous -45 °C to +60 °C (-49 °F to +140 °F), 74 °C maximum
Ingress protection	IP66
MTBF (Mean Time Between Failures)	100,000 hours at 60 °C
NEMA Standard	NEMA TS 2 compliant

Technical Specifications

HSD626

NEMA TS 2

Test	Standard/Test Method
Low Temperature Low Voltage	NEMA TS 2 Section 2.2.7.3 Test C
Low Temperature High Voltage	NEMA TS 2 Section 2.2.7.4 Test D
High Temperature High Voltage	NEMA TS 2 Section 2.2.7.5 Test E
High Temperature Low Voltage	NEMA TS 2 Section 2.2.7.6 Test F
Power Interruption 500 mSec	NEMA TS 2 Section 2.2.10.1
Power Interruption 1000 mSec	NEMA TS 2 Section 2.2.10.1
Vibration	NEMA TS 2 Section 2.2.8
Shock	NEMA TS 2 Section 2.2.9

Mechanical

Dimensions	Ø190 x 302.5 mm (Ø7.5 x 11.9 in)
Weight	2.6 kg (5.7 lbs)
Housing	Aluminium
Colour	RAL 9003 (signal white)
Sunshield	ABS / Polycarbonate blend
Bubble	Optically clear polycarbonate
Impact rating	IK10

Ordering information

Models	Description
HSD626 /N	High-speed PTZ dome camera, IP, wide dynamic range, day/night, IP66, including sunshield (NTSC)
HSD626 /P	High-speed PTZ dome camera, IP, wide dynamic range, day/night, IP66, including sunshield (PAL)
PA03 /EU	Power supply, 230 Vac to 24 Vac, tinned leads, 3.0A, outdoor (IP66)
PA03 /US	Power supply, 110 Vac to 24 Vac, tinned leads, 3.0A, outdoor (IP66)
WM01A/HD	Mini wall mount for HD/HSD series
WM02S*	Tube adapter for outdoor MD/MSD/HD/HSD series PTZ cameras
WM07A	Gooseneck tube
WM05	Corner plate, compatible with WM01A and WM07A
WM06	Wall box mounting, compatible with WM01A and WM07A
PM01	Pole thin direct mounting, compatible with WM01A and WM07A
PM02	Pole wide direct mounting, compatible with WM01A and WM07A
PM03	Pole thin box mounting, compatible with WM01A and WM07A
PM04	Pole wide box mounting, compatible with WM01A and WM07A
PM05	Swan neck tube
PTM01	1-1/2" pipe thread adapter
MFM	Multifunction monitor

*WM02S is included with each outdoor MD/MSD/HD/HSD camera.



The quality management system used in the development, production, sales, and support of this product is ISO 9001:2008 certified by LRQA.

© Siquira B.V. 2015 - Version 1.5 - Subject to modification.

