

EAGLE Taper Edge Band

Replacement for PVC Bands on wallboard forming lines

Superior Material.
Superior Savings.

Taper Edge Band 63D

- Lasts longer than PVC bands — fewer replacements and fewer hassles
 - Significantly increased life on lines exceeding 350'/min
- Insignificant band stretch — the same perfect impression day 1 and day 100
- Fit and forget installation — reduced labor and downtime costs
- Say goodbye to heat cracks with temperature resistance up to 180°F (82°C)
- Thermal splicing for a tough, seamless, flexible joint that maintains a perfect indentation

| COLOR | DUROMETER | Part Number | | A† inches (mm) |
|-------|-----------|-------------|-------------|----------------|
| | | Left Side* | Right Side* | |
| Blue | 63D | 4938280BL | 4938280BR | 0.085 (2.2) |
| Red | 63D | 4938281BL | 4938281BR | 0.075 (1.9) |
| Green | 63D | 4938282BL | 4938282BR | 0.105 (2.7) |

| COLOR | DUROMETER | Profile | Part Number | Dimensions mm (inches) |
|---------|-----------|---------|-------------|------------------------|
| Natural | 63D | Square‡ | 4938286 | 1.4 x 60 (.06 x 2.36) |

* As belt travels toward you

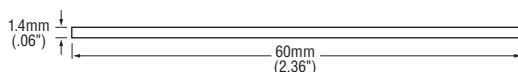
† Also available in A dimensions .065" and .070" (1.7mm and 1.8mm)

‡ Non-stock product, minimum order quantity applies

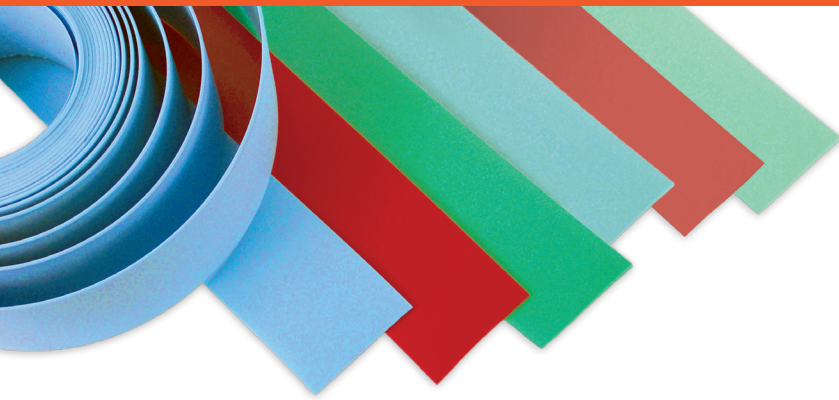
Taper Edge Band 66D

- Higher heat deflection temperature
- Less tendency to deform
- Temperature resistance up to 226°F (130°C)

| COLOR | DUROMETER | Part Number | | A† inches (mm) |
|-------------|-----------|-------------|-------------|----------------|
| | | Left Side* | Right Side* | |
| Light Blue | 66D | 4938290BL | 4938290BR | 0.085 (2.2) |
| Light Red | 66D | 4938291BL | 4938291BR | 0.075 (1.9) |
| Light Green | 66D | 4938292BL | 4938292BR | 0.105 (2.7) |



EAGLE Taper Edge Band



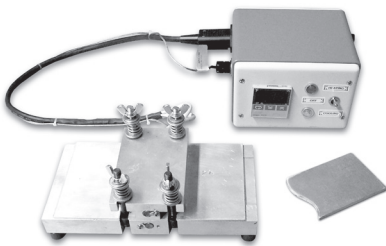
Used worldwide by:

Lafarge, Saint-Gobain, Siniat, Georgia Pacific, Certain Teed, National Gypsum, USG, Panel Rey, Knauf, Novoplack, and more.

Eagle Taper Edge Band Welding Kit

Thermal slicing for a tough, seamless, flexible joint that maintains a perfect indentation

- Full weld in 12 minutes
- No board scrap generated from joint
- Forget about using staples and duct tape on your production line



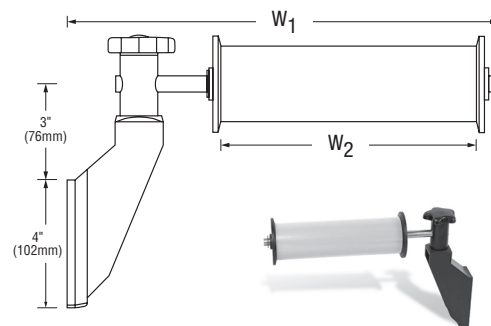
| Profile | Part Number | Voltage | Plug |
|---------|-------------|---------|------|
| Blue | 5700301 | 115v | US |
| Red | 5700304 | 115v | US |
| Green | 5700305 | 115v | US |
| Blue | 5700306 | 240v | UK |
| Red | 5700307 | 240v | UK |
| Green | 5700308 | 240v | UK |
| Square | 5700309 | 240v | UK |

Kit includes: Platen Assembly, Controller, Cutting Shears, Finger Splice Template, Instructional Disc

Eagle Taper Edge Band Return Roller

Easily mounts below conveyor to prevent surface scoring due to Taper Edge Band rubbing against worn return support brackets.

- Easy to install mounting bracket with hand knob for quick adjustment and release
- 360° adjustment for optimum positioning
- Solid polymer plain bearing allows low-friction rotation
- Quickly switch out rollers for periodic cleaning and virtually eliminate downtime



| | Part Number | Ø | W ₁ | W ₂ |
|---------------------------------|-------------|-------|----------------|----------------|
| Bracket and Roller Assembly 8" | DA0041 | 2.375 | 13.5 | 8 |
| Roller 8" | FX0395 | | | |
| Bracket and Roller Assembly 16" | DA0044 | 2.375 | 21.5 | 16 |
| Roller 16" | FX0434 | | | |