

The Eltex ground clamps of series 70 are designed for making and - in connection with Eltex TUE30 Terra-Control ground monitoring system - for monitoring ground connections. The appliances are used in areas where potentially explosive materials and substances are loaded, discharged or refilled. Any developing static charges are safely and effectively eliminated and led to ground.

The Eltex cable rewinders of series 601KR ensure that the ground cable is safely reeled back after use, protecting it from damage and dirt.

The cable rewinders 601KR/AW and 601KR/DW are made of impact-proof aluminum and are mounted with an assembly bracket.

The cable rewriter 601KR/KW is encased in a robust and sturdy plastic housing. The cable outlet is fitted with four cable guide rollers for easy cable guidance.

All cable rewinders are designed for wall mounting and may be used in zones with potentially explosive atmospheres in connection with the Eltex ground monitoring system.

## Technical Information



F0001Y

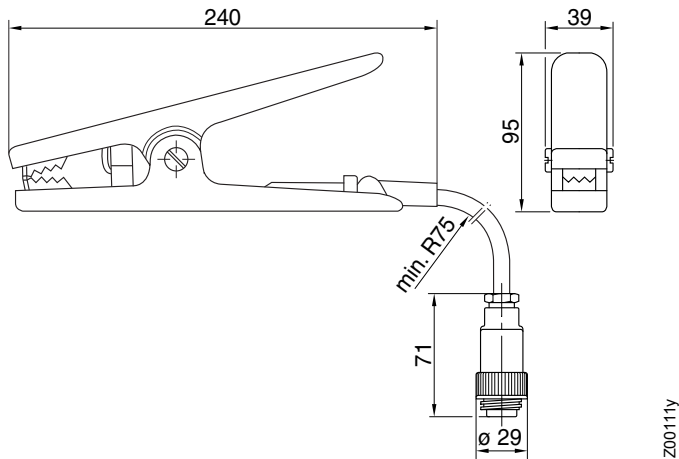
### Ground Clamps Series 70 Cable Rewinder Series 601KR

for ground monitoring system Terra-Control TUE30  
and passive grounding

TI-en-4007-1605



## Ground clamp types 70AG, 70BG, 70SG

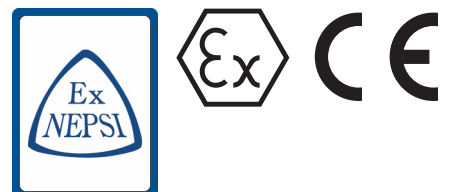


### Type 70AG for active grounding, Type 70BG for active BIG BAG grounding for use with the components of the TUE30 Terra-Control ground monitoring system

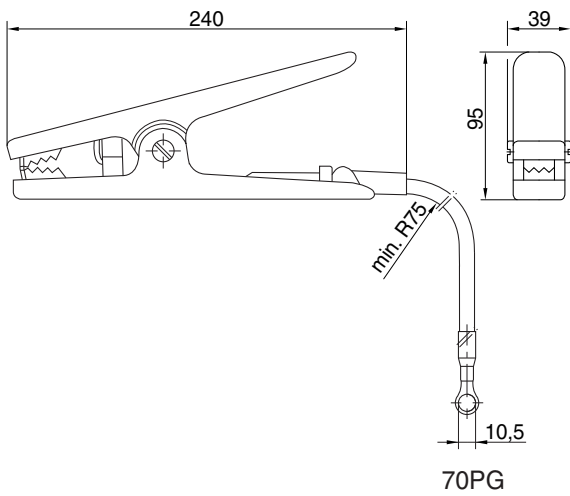
Clamp material	Stainless steel
Operating ambient temperature	-20...+70°C (-4...+158°F)
Ground cable (color: blue)	oil and gasoline resistant control lead, 3 x 1.5 mm <sup>2</sup> temperature range -40... +90°C (-40...+194°F) connected 4-pin plug IP67
Dimensions	see Fig.
Weight	approx. 0.6 kg
Approval / Identification marking	ATEX: DMT 00 ATEX E 068 X ⊕ Ex II 2D Ex ia IIIC T135°C Db, II 2G Ex ia IIC T6 Gb IECEX: BVS 16.0016, NEPSI: GYJ14.1367X Ex ia IIIC T135°C Db, Ex ia IIC T6 Gb

### Type 70SG for passive grounding for used without TUE30 ground monitoring system

Clamp material	Stainless steel
Operating ambient temperature	-20...+70°C (-4...+158°F)
Ground cable (color: orange)	oil and gasoline resistant control lead, H07BQ-F conductor cross section 3 x 1.5 mm <sup>2</sup> temperature range -40...+90 °C (-40...+194 °F) connected 4-pin plug IP67 or wire end ferrule
Dimensions	see Fig.
Weight	approx. 0.6 kg
Clamping width	35 mm
Clamping force	140 N ±20%
Earth leakage resistance	235 kOhm ±10%
Max. discharge voltage	120 V
Chemical resistance	oil and gasoline
Identification marking	⊕ Ex II 1G IIB T6 Ga, II 2G IIC T6 Gb, II 1D T80°C Da
Approval	ZELM 04 ATEX 0229 X



**Ground clamp type 70PG for passive grounding  
for use without TUE30 ground monitoring system**

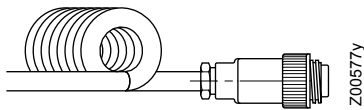


Z00112y

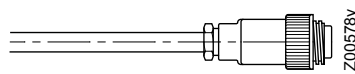


Clamp material	stainless steel
Operating ambient temperature	-20...+70°C (-4...+158°F)
Ground cable	oil and gasoline resistant control lead, H07BQ-F, conductor cross section 3 x 1.5 mm <sup>2</sup> , temperature range -40...+90 °C (-40...+194 °F), connected 4-pin plug IP67 or with cable lug
Dimensions	see Fig.
Weight	approx. 0.6 kg
Clamping width	35 mm
Clamping force	140 N ±20%
Earth leakage resistance	235 kOhm ±10%
Chemical resistance	oil and gasoline
Identification marking	Ex II 1G IIB T6 Ga, II 2G IIC T6 Gb, II 1D T80°C Da
Approval	ZELM 04 ATEX 0229 X

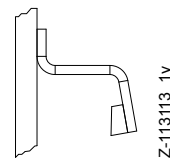
**Helix ground cable**



**Ground cable**



**Clamp holder No. 113112**



**Cable for active grounding:**

KG/BSA050: helix ground cable, cable color blue, extensible 1 to 5 m

KG/BNA\_\_\_: ground cable, cable color blue standard 10 m (or specify length)

**Cable for passive grounding:**

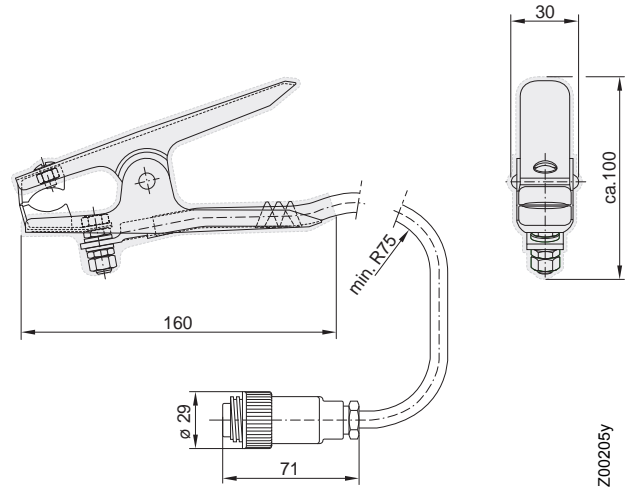
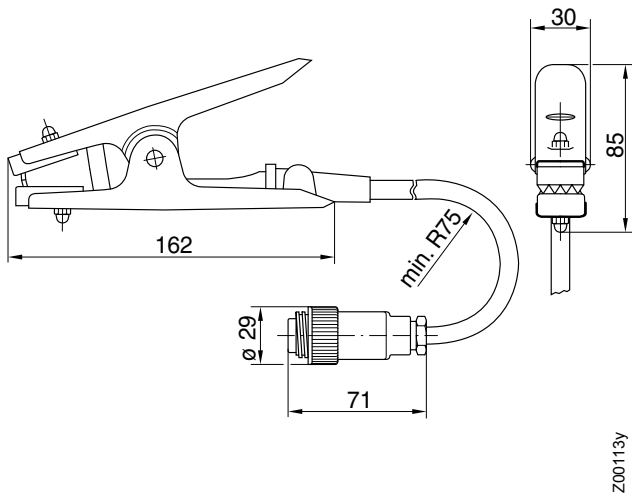
KG/GSA050: helix ground cable, cable color orange extensible 1 to 5 m

KG/GNA\_\_\_:ground cable, cable color orange standard 10 m (or specify length)

**Ground clamp type 70AK, type 70HK**


**Type 70AK**

**Type 70HK**

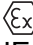


T

**Type 70AK for active grounding  
for use with the components of the TUE30 Terra-Control ground monitoring system**

Clamp material	stainless steel
Operating ambient temperature	-20...+70°C (-4...+158°F)
Ground cable (color: blue)	oil and gasoline resistant control lead, 3 x 1.5 mm <sup>2</sup> temperature range -40...+90°C (-40...+194°F) connected 4-pin plug IP67
Dimensions	see Fig.
Weight	approx. 0.3 kg
Approval / Identification marking	ATEX: DMT 00 ATEX E 068 X  II 2D Ex ia IIIC T135°C Db, II 2G Ex ia IIC T6 Gb IECEx: BVS 16.0016X, NEPSI: GYJ14.1367X Ex ia IIIC T135°C Db, Ex ia IIC T6 Gb

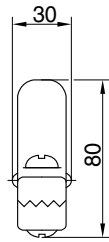
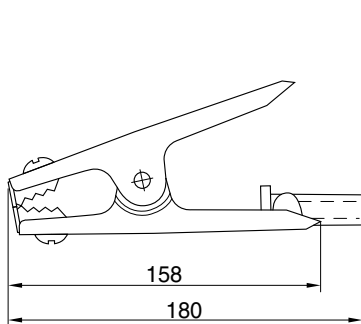
**Type 70HK for active BIG BAG  
for use with the components of the TUE30 Terra-Control ground monitoring system**

Clamp material	galvanized sheet steel, plastic handle
Operating ambient temperature	-20...+70°C (-4...+158°F)
Ground cable (color: blue)	oil and gasoline resistant control lead, 3 x 1.5 mm <sup>2</sup> temperature range -40...+90°C (-40...+194°F) connected 4-pin plug IP67
Dimensions	see Fig.
Weight	approx. 0.25 kg
Approval / Identification marking	ATEX: DMT 00 ATEX E 068 X  II 2D Ex ia IIIC T135°C Db, II 2G Ex ia IIC T6 Gb IECEx: BVS 16.0016, NEPSI: GYJ14.1367X Ex ia IIIC T135°C Db, Ex ia IIC T6 Gb



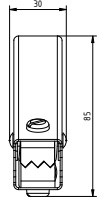
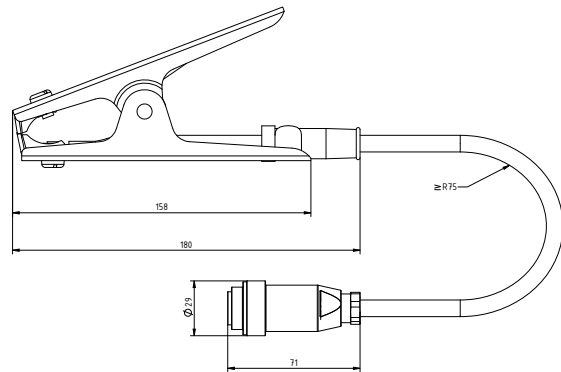
## Ground clamp type 70OK / type 70PK

### Type 70OK



Z00115y

### Type 70PK



Z-114761y

### Type 70OK for passive grounding for use without TUE30 ground monitoring system

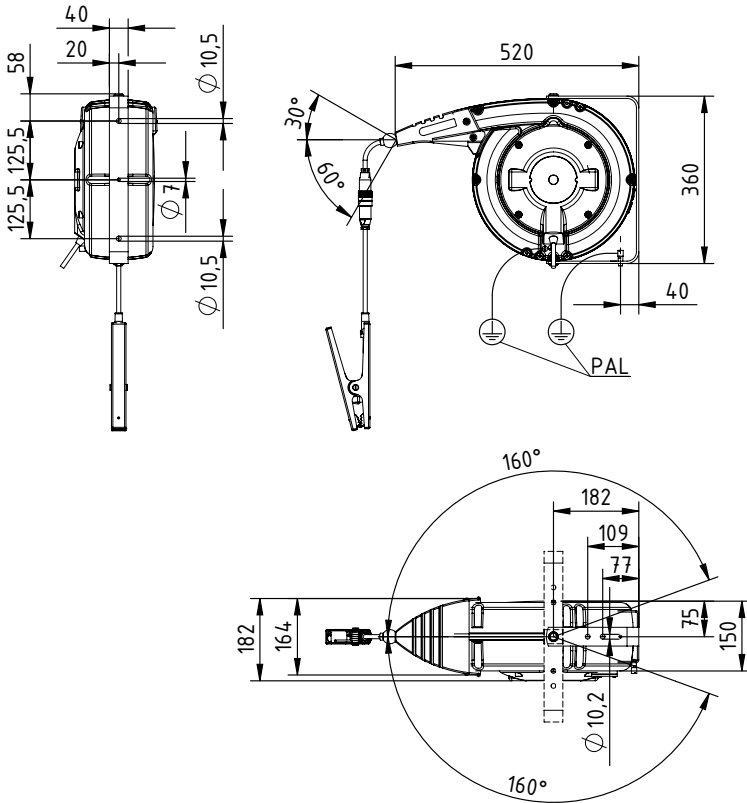
Clamp material	stainless steel
Operating ambient temperature	-20...+70°C (-4...+158°F)
Ground cable (color: orange)	without cable min. conductor cross section. 4 mm <sup>2</sup> ; max. 10 mm <sup>2</sup>
Tightening torque	terminal screw for the cable lug: 9 Nm
Dimensions	see Fig.
Weight	approx. 0.22 kg
Clamping width	35 mm
Clamping force	100 N ±20%
Identification marking	⊕ II 1G IIB T6 Ga, II 2G IIC T6 Gb, II 1D T80°C Da
Approval	ZELM 04 ATEX 0229 X

### Type 70PK for passive grounding for use without TUE30 ground monitoring system

Clamp material	stainless steel
Operating ambient temperature	-20...+70°C (-4...+158°F)
Ground cable (color: orange)	oil and gasoline resistant control lead, 3 x 1.5 mm <sup>2</sup> temperature range -40...+90°C (-40...+194°F) connected 4-pin plug IP67
Dimensions	see Fig.
Weight	approx. 0.29 kg
Clamping width	35 mm
Clamping force	100 N ±20%
Identification marking	⊕ II 1G IIB T6 Ga, II 2G IIC T6 Gb, II 1D T80°C Da
Approval	ZELM 04 ATEX 0229 X



# Cable rewriter type 601KR/AW



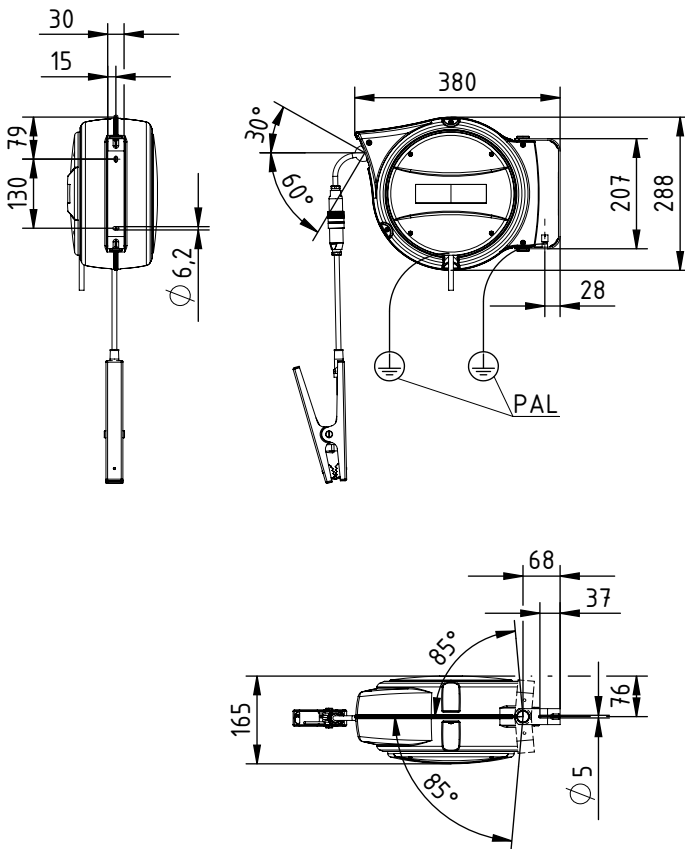
Z-114868y\_1

## Type 601KR/AW for active grounding for use with the components of the TUE30 Terra-Control ground monitoring system

Enclosure	ribbed and reinforced aluminum, protected cable inlet aperture with stopper
Rewind mechanism	automatic, stopping device, on-off function
Protection class	IP43, EN 60529
Operating ambient temperature	-40...+70°C (-40...+158°F)
Attachment	wall assembly via assembly bracket
Ground cable (cable color: blue)	20m oil and gasoline resistant control lead, 3 x 1.5 mm <sup>2</sup> temperature range -40...+90°C (-40...+194°F) connected 4-pin socket IP67
Connecting lead	2.5 m, connecting cable 3 x 1.5 mm <sup>2</sup> (color: blue)
Dimensions	see Fig.
Weight	approx. 14 kg with 20 m ground cable
Inductance	approx. 0.1 mH
Capacitance	approx. 5.0 nF
Approval / Identification marking	ATEX: DMT 00 ATEX E 068 X $\text{Ex}$ II 2D Ex ia IIIC T135°C Db, II 2G Ex ia IIC T6 Gb IECEx: BVS 16.0016, NEPSI: GYJ14.1367X (-20°C / +4°F) Ex ia IIIC T135°C Db, Ex ia IIC T6 Gb



## Cable revider type 601KR/DW / type 601KR/EW



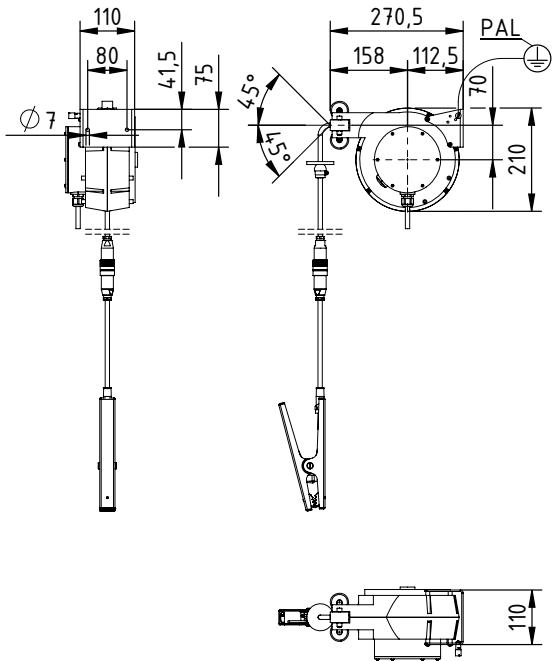
Z-11486By\_2

**Type 601KR/DW for active grounding (cable color: blue)  
for use with the components of the TUE30 Terra-Control ground monitoring system**  
**Type 601KR/EW for passive grounding (cable color: orange)  
for use without the components of the TUE30 Terra-Control ground monitoring system**

Enclosure	aluminium with rolls and stopper
Rewind mechanism	automatic, stopping device, on-off function
Protection class	IP42 according to EN 60529
Operating ambient temperature	-40...+70°C (-40...+158°F)
Attachment	wall assembly via assembly bracket
Ground cable	12m oil and gasoline resistant control lead, 3 x 1.5 mm <sup>2</sup> temperature range -40...+90°C (-40...+194°F) connected 4-pin socket IP67
Connecting lead	2.5 m, connecting cable 3 x 1,5 mm <sup>2</sup>
Dimensions	see figure
Weight	approx. 5.7 kg with 12 m ground cable
Inductance	approx. 0.07 mH
Capacitance	approx. 1.6 nF
Approval / Identification marking	601KR/DW: ATEX: DMT 00 ATEX E 068 X $\text{Ex}$ II 2D Ex ia IIIC T135°C Db, II 2G Ex ia IIC T6 Gb IECEx: BVS 16.0016X; Ex ia IIIC T135°C Db, Ex ia IIC T6 Gb 601KR/EW: PTB: 05ATEXD121; $\text{Ex}$ II 2D c IIIC T80°C, II 2G c IIC T6



**Cable rewriter type 601KR/KW / 601KR/BW**



Z-114868y\_3



**Type 601KR/KW for active grounding (cable color: blue  
for use with the components of the TUE30 Terra-Control ground monitoring system  
Type 601KR/BW for passive grounding (cable color: orange)  
for use without TUE30 ground monitoring system**

Enclosure	plastic, cable inlet aperture with rollers
Protection class	IP42 according to EN 60529
Operating ambient temperature	-20...+70°C (-4...+158°F)
Attachment	wall assembly via metal assembly plate
Ground cable	9 m oil and gasoline resistant control lead, 3 x 1.5 mm <sup>2</sup> , temperature range -40...+90°C (-40...+194°F), connected 4-pin socket IP67
Connecting lead	2.5 m, connecting cable 3 x 1.5 mm <sup>2</sup>
Dimensions	see Fig.
Weight	approx. 7 kg with 9 m ground cable
Inductance	approx. 0.05 mH
Capacitance	approx. 2.50 nF
Approval / Identification marking	601KR/KW: ATEX: DMT 00 ATEX E 068 X Ⓢ II 2D Ex ia IIIC T135°C Db, II 2G Ex ia IIC T6 Gb IECEx: BVS 16.001, NEPSI: GYJ14.1367X Ex ia IIIC T135°C Db, Ex ia IIC T6 Gb 601KR/BW: PTB: 05ATEXD121; Ⓢ II 2D c IIIC T80°C, II 2G c IIC T6

The current approvals with their supplements can be found at: <http://service.eltex.de>.



Eltex-Elektrostatik-Gesellschaft mbH  
 Blauenstraße 67-69, D-79576 Weil am Rhein  
 Phone +49 (0) 76 21/ 79 05 - 230  
 Fax +49 (0) 76 21/ 79 05 - 330  
 eMail [static-control@eltex.com](mailto:static-control@eltex.com)  
 Internet [www.eltex.com](http://www.eltex.com)