

DC Series Tubeaxial Cooling Fans Model No. D24T10

2.36" Sq. x 1.00"
(60 mm Sq. x 25 mm)
17-23 CFM
(8.0-10.9 L/Sec.)



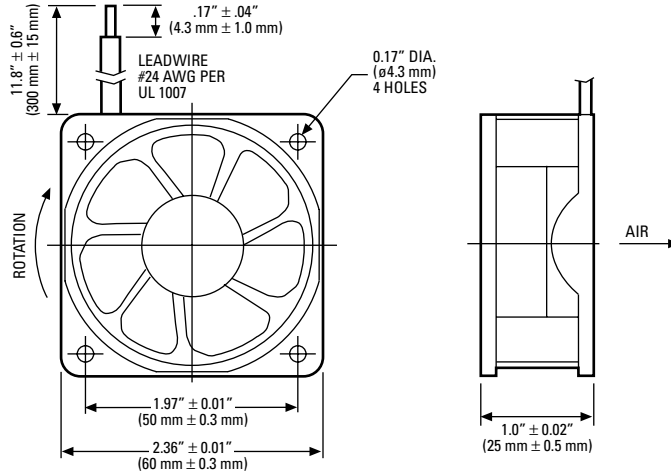
Features

- 7-blade impeller design provides:
 - Reduced noise
 - Improved performance
 - High efficiency
- Solid-state brushless motor design provides:
 - Auto restart
 - Low input power
 - Lower operating voltages
- Precision ball bearing system provides:
 - Longer life
 - Higher temperature extremes
 - Lower noise over time
 - Maximum shock and vibration resistance
- Designed to meet the rigid standards of UL, CSA, VDE, and CE.

Accessories:
Finger guards

General Specifications

- Frame:** Reinforced polybutylene plastic (UL94V-0 flame retardant)
- Impeller:** Reinforced polybutylene plastic (UL94V-0 rating)
- Bearings:** Precision, life-lubricated ball bearings
- Insulation:** Class A integral ground system rated @ 248°F (120°C)
- Weight:** 2.3 ozs. (65 grams)
- Operating Temperature Range:** 14° to 158°F (-10° to 70°C)
- Insulation Resistance:** 10 megohms minimum @ 250 VDC
- Dielectric Strength:** 500 VAC for 60 seconds
- Safety Protection:** Electronic locked rotor protected; polarity protected
- Life Expectancy:** 75,000 hours minimum @ 77°F (25°C)
- Options:** (Consult Factory)
Tachometer output
Locked rotor output sensor

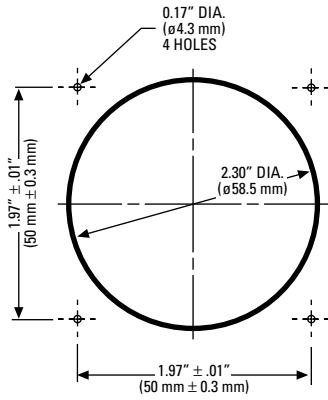


RED LEAD IS POSITIVE (+)
BLACK LEAD IS NEGATIVE (-)
WHITE LEAD IS SENSOR

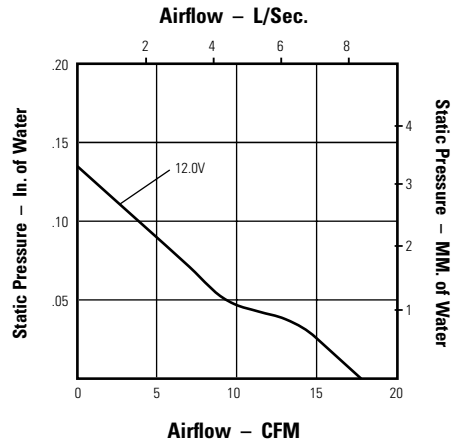
Globe Motors Part Number	Nominal Voltage VDC	Voltage Operating Range VDC	Watts	Line Amps	RPM	Acoustic Noise dBA	Airflow (Min.)	
							CFM	Liters per Second
D24-B10A-04W3-100	12	6.0 / 13.8	1.44	0.12	3600	28	17	8.0
D24-B10A-04W4-100	12	6.0 / 13.8	2.04	0.17	4550	34	22	10.3
D24-B10A-04W5-100	12	6.0 / 13.8	2.40	0.20	4900	35	23	10.9
D24-B10A-05W3-100	24	10.2 / 27.6	1.68	0.07	3600	28	17	8.0
D24-B10A-05W4-100	24	10.0 / 27.6	2.16	0.09	4550	34	22	10.3
D24-B10A-05W5-100	24	10.0 / 27.6	2.40	0.10	4900	35	23	10.9

*Note: For tachometer output models, substitute "B" in part number. Part Number D24-B10"A"-04W3-100 would change to D24-B10"B"-04W3-100. Minimum order quantity may apply.
For locked rotor sensor output models, substitute "C" in part number. Part Number D24-B10"A"-04W3-100 would change to D24-B10"C"-04W3-100. Minimum order quantity may apply.

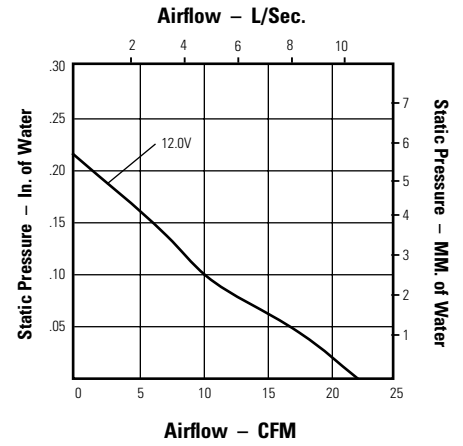
Installation Guide



Performance at Sea Level



D24-B10A-04W3-100



D24-B10A-04W4-100

Approvals



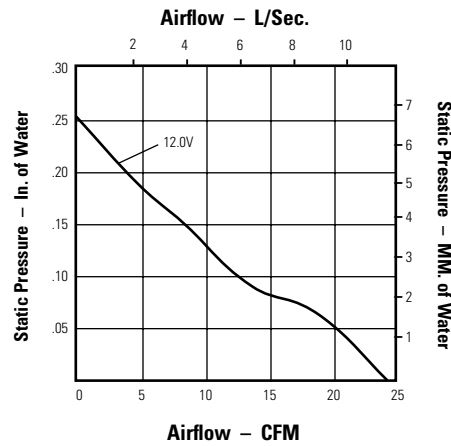
UL File No.
E105397



CSA File No.
72877



VDE File No.
17074-2611-0706

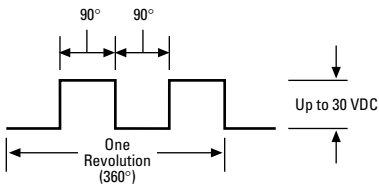


D24-B10A-04W5-100

All operating specifications measured at nominal operating voltage, free air at sea level

24 volt performance is identical to 12 volt fan performance

Tachometer Output (Open Collector Circuit)



NOTES:

Locked Rotor Output (Open Collector Circuit)

