



MLFB-Ordering data: **1LE1003-0EA42-2FA4**

Motor type: **1AV3094A**

Client order no.:

Item no.:

Order no.:

Consignment no.:

Offer no.:

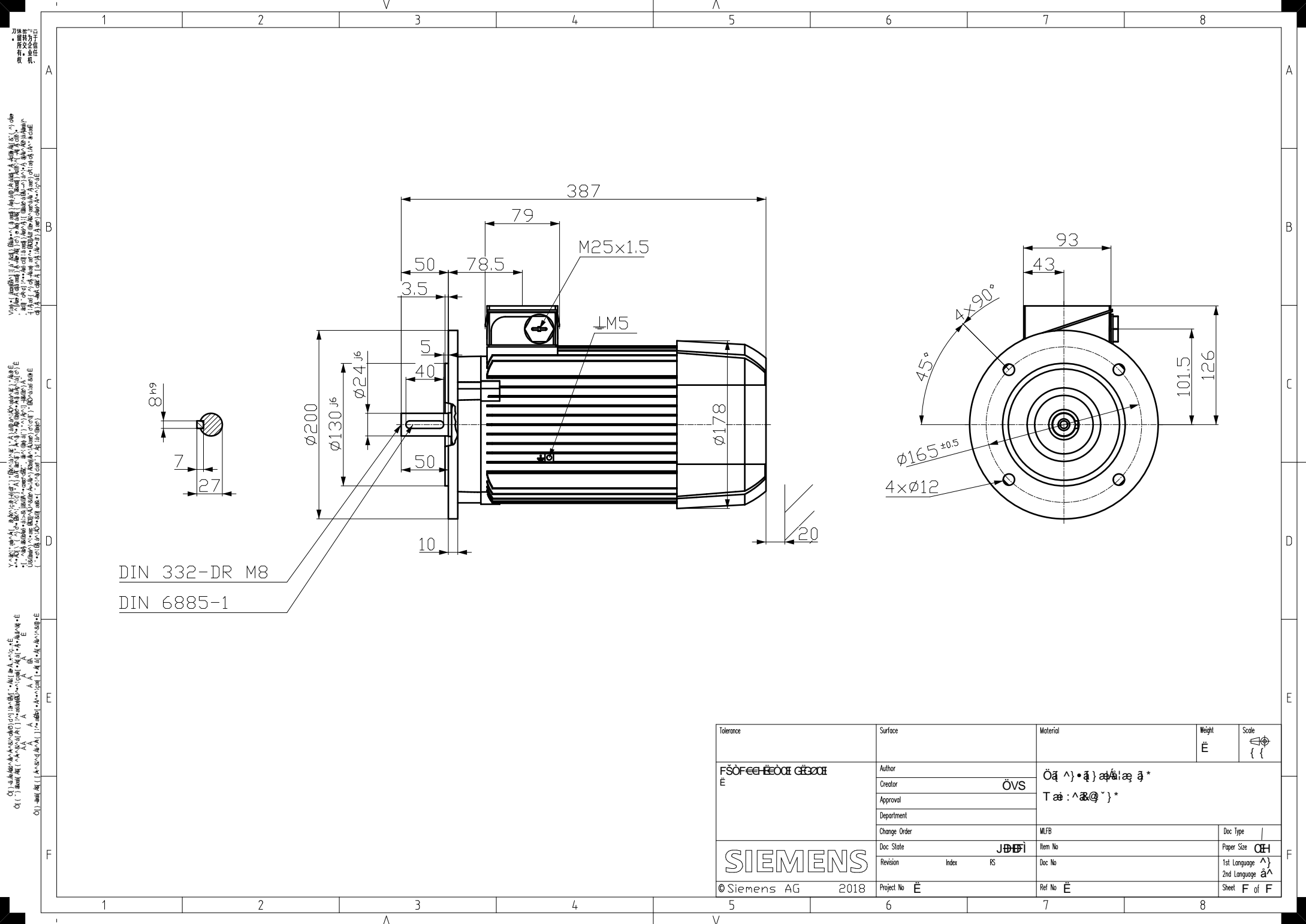
Project:

Remarks:

U [V]	Δ/Y	f [Hz]	P [kW]	P [hp]	I [A]	n [1/min]	M [Nm]	NOM. EFF at ... load [%]			Power factor at ... load			I _A /I _N I/I _N	M _A /M _N T _f /T _N	M _k /M _N T _B /T _N	IE-CL
								4/4	3/4	2/4	4/4	3/4	2/4				
230	Δ	50	2.20	- / -	7.40	2910	7.2	85.9	86.8	86.1	0.88	0.83	0.73	8.3	2.6	4.0	IE3
400	Y	50	2.20	- / -	4.20	2910	7.2	85.9	86.8	86.1	0.88	0.83	0.73	8.3	2.6	4.0	IE3
460	Y	60	2.54	- / -	4.20	3510	6.9	86.5	87.0	85.9	0.88	0.84	0.75	8.3	2.6	4.2	IE3
460	Y	60	2.20	- / -	3.65	3530	6.0	86.5	86.4	84.5	0.87	0.82	0.71	9.6	3.0	4.9	IE3
IM B5 / IM 3001		FS 90 L		19 kg		IP55		IEC/EN 60034			IEC, DIN, ISO, VDE, EN						

Mechanical data			Terminal box	
Sound pressure level 50Hz/60Hz (load)	65 dB(A)	69 dB(A)	Terminal box position	top
Moment of inertia	0.0031 kg m ²		Material of terminal box	Aluminium
Bearing DE NDE	6205 2Z C3	6004 2Z C3	Type of terminal box	TB1 E00
Bearing lifetime	40000 h		Contact screw thread	M4
Lubricants	Esso Unirex N3		Max. cross-sectional area	1.5 mm ²
Regreasing device	No		Cable diameter from ... to ...	9.0 mm - 17.0 mm
Grease nipple	- / -		Cable entry	1xM25x1,5
Type of bearing	Preloaded bearing DE		Cable gland	1 plug
Condensate drainage holes	No		Special design (0)	
External earthing terminal				
Vibration severity grade	A			
Insulation	155(F) to 130(B)			
Duty type	S1			
Direction of rotation	bidirectional			
Frame material	aluminum			
Data of anti condensation heating	-/-			
Coating (paint finish)	Standard paint finish C2			
Color, paint shade	RAL7030			
Motor protection	(A) without (Standard)			
Method of cooling	IC411 - self ventilated, surface cooled			

Environmental conditions	
Ambient temperature	-20 °C - +40 °C
Altitude above sea level	1000 m



DIN 332-DR M8
DIN 6885-1

Tolerance	Surface	Material	Weight	Scale
FSÖFEEÖÖÖÖÖÖÖÖ	Author	ÖS	Ä	{ }
Ä	Creator	ÖVS	Öä ^)•ä)ä/ä/ä ä*	
	Approval	T ä : ^ä@`)*		
	Department			
	Change Order	MFB	Doc Type	/
SIEMENS	Doc State	JBBF	Item No	Paper Size
	Revision	Index	RS	Doc No
© Siemens AG	Project No	Ä	Ref No	Ä
2018				1st Language ^)
				2nd Language ä^
				Sheet F of F