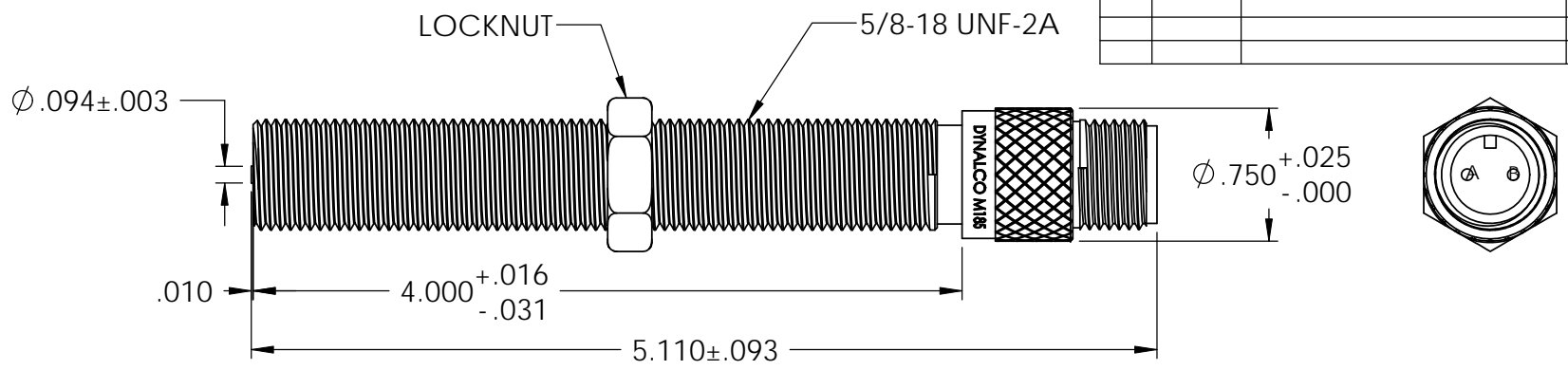


REV	ECN	REVISION RECORD	DATE	DR	CK
A	8806	REDRAW ALL VIEWS IN CAD	10/30/13	PF	MG



TEMPERATURE RANGE	OUTPUT VOLTAGE PEAK TO PEAK	DC RESISTANCE OHMS	INDUCTANCE MILLIHENRYS	OUTPUT CONNECTOR	INSULATION RESISTANCE	NET WEIGHT
-65 °F to +225 °F	400-550 VOLTS (SEE NOTE 1)	1750-2250 AT 75 °F	700 AT 1 KHz	MATES WITH MS3106A-10SL-4S (SEE NOTE 2)	100 MEGOHMS MIN. AT 500 VDC. COIL TO HOUSING	5.2 OZ. AVG.

NOTES:

- 1- TESTED AT 1000 INCHES/SECOND WITH A 20 PITCH, 30 TOOTH GEAR, 0.005" CLEARANCE AND 100 KOHMS LOAD SHUNTED BY 250 PF.
- 2- WITH APPROACH OF FERROUS METAL, PIN "B" IS POSITIVE WITH RESPECT TO PIN "A".

CONSTRUCTION:

HOUSING ---- 303 STAINLESS STEEL
 POLE PIECE - 416 STAINLESS STEEL
 POTTING ----- EPOXY RESIN



THIS DOCUMENT, ALL INFORMATION CONTAINED IN AND ALL INFORMATION RELATED TO, IS PROPERTY OF DYNALCO, IS CONFIDENTIAL TO IT AND NO PART THEREOF NOR ANY SUCH INFORMATION MAY BE COPIED, DISSEMINATED OR USED IN ANY MANNER WHATSOEVER WITHOUT THE PRIOR WRITTEN CONSENT OF DYNALCO AND IS TO BE RETURNED TO DYNALCO UPON REQUEST.

UNLESS OTHERWISE SPECIFIED		THIRD ANGLE PROJECTION	
DIMENSIONS ARE IN INCHES DIMENSIONAL TOLERANCES: FRACTIONAL ±1/64 ANGULAR: ± 1/2° XX ±0.010 XXX ±0.005		DYNALCO	
DATE: 01-14-81	MODEL: M185	DRAWN: DW	
MATERIAL:	PATH: N\PROD\PICKUPS\M185	APPROVED: LOC	
FINISH:	TITLE: MAGNETIC PICKUP, MODEL M185		REV: A
DO NOT SCALE DRAWING	SIZE: A	DWG. NO. 800-0185	
	SCALE 1:1	WEIGHT	SHEET 1 OF 1