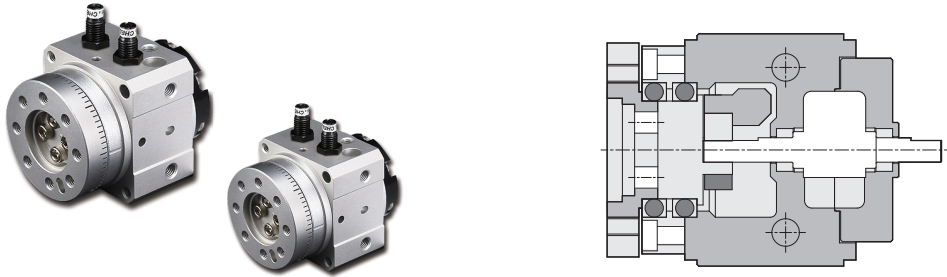


RMF series - Rotary cylinder

Operating specification • Ordering expression

CHELIC

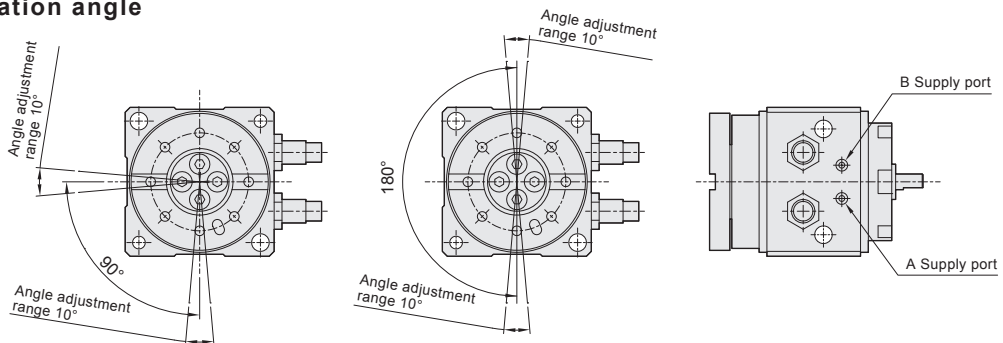
Internal structure



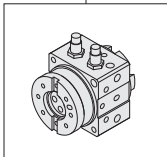
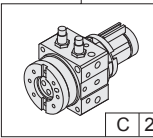
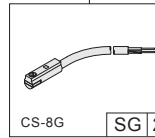
Specification

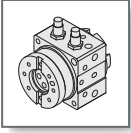
Item	Bore size (mm)	RMF10 - □	RMF15 - □	RMF20 - □	RMF30 - □	RMF40 - □	RMF50 - □
Operation		Double acting					
Fluid		Air					
Torque		0.14	0.38	0.78	1.8	3.8	5
Rotation angle		90° 180°					
Port size		M5x0.8P					1/8
Pressure range	kgf/cm ² (kPa)	2~7(200~700)		1.5 ~ 7 (150 ~ 700)			
Ambient and fluid temperature	°C	5 ~ 60					
Allowable kinetic energy	J	0.005	0.013	0.032	0.056	0.1	0.2

Rotation angle



How to order

RMF Model 	10 Torque 10 : 0.14 N·m 15 : 0.38 N·m 20 : 0.81 N·m 30 : 1.8 N·m 40 : 3.8 N·m 50 : 5 N·m	×	180 Rotation angle 90 - 90° 180 - 180°	-	C 1 Sensor switch holder 	-	SG 1 Sensor switch 
RMF series Rotary cylinder				None : Standard type C : Sensor switch holder 2 : 1 = 1 PCS 2 = 2 PCS		None : No SG : Sensor switch code (CS-8G) 2 : 1 = 1 PCS 2 = 2 PCS	

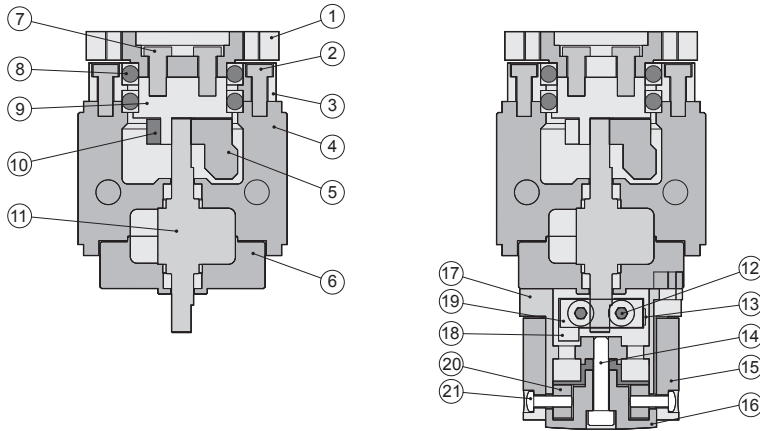


RMF series - Rotary cylinder

Components • Material list

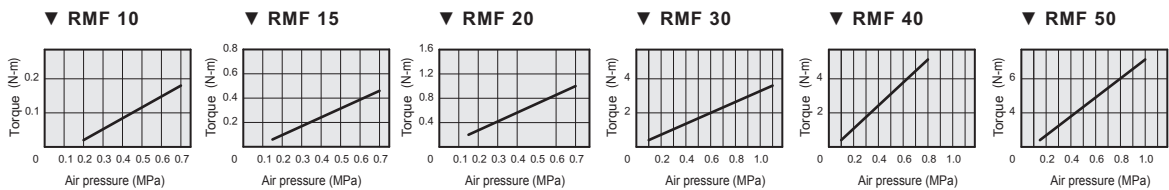
CHELIC

Internal structure



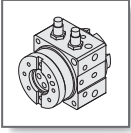
No.	Item	Material	No.	Item	Material	No.	Item	Material	No.	Item	Material
01	Rotating plate	Aluminum alloy	07	Hexagon socket screw	Alloy steel	13	Magnet	Rare earth material	19	Base block spacer	Stainless steel
02	Hexagon socket screw	Alloy steel	08	Bearing	Bearing steel	14	Hexagon socket screw	Alloy steel	20	Holder block	Aluminum alloy
03	Bearing cover	Aluminum alloy	09	Connector	Iron	15	Sensor switch holder	Aluminum alloy	21	Round head screw	Alloy steel
04	Top cover	Aluminum alloy	10	Hexagon socket screw	Alloy steel	16	Sensor switch holder cover	Aluminum alloy			
05	Location lump	Alloy steel	11	Rotary unit shaft	Alloy steel	17	Position base	Aluminum alloy			
06	End cover	Aluminum alloy	12	Hexagon socket screw	Alloy steel	18	Angle location lump	Stainless steel			

Rotational torque of plate



Allowable load

Direction	(a) ↑ (b) ↓		Allowable moment (N.m)	
	Allowable radial load(N)	Allowable thrust load(N)		
Model		(a)	(b)	
RMF10	20	8	13	0.3
RMF15	40	10	25	0.7
RMF20	50	25	50	0.9
RMF30	60	35	70	2.9
RMF40	70	45	90	7
RMF50	90	60	110	9.5

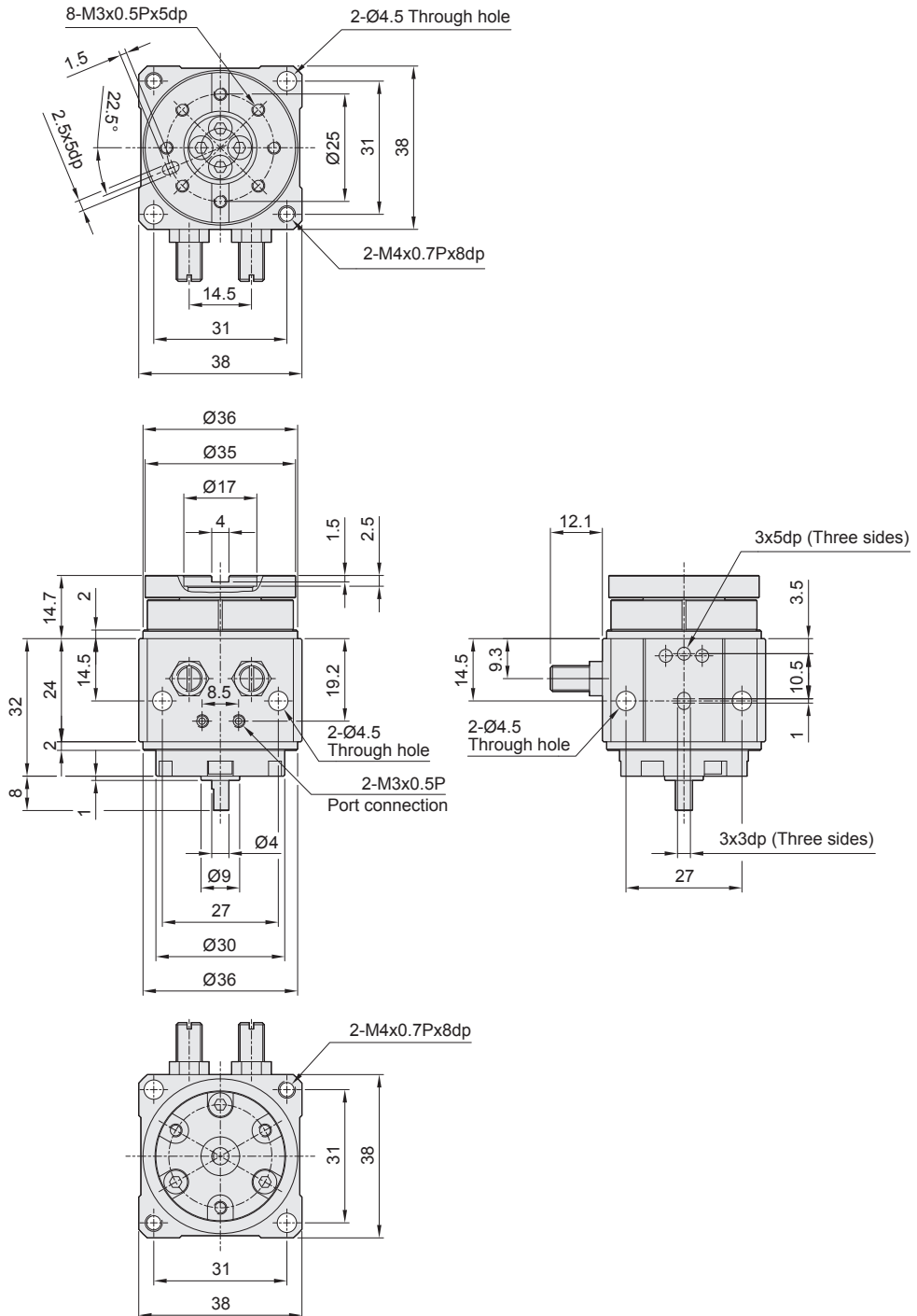


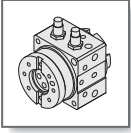
RMF series - Rotary cylinder

External dimensions

CHELIC

RMF 10



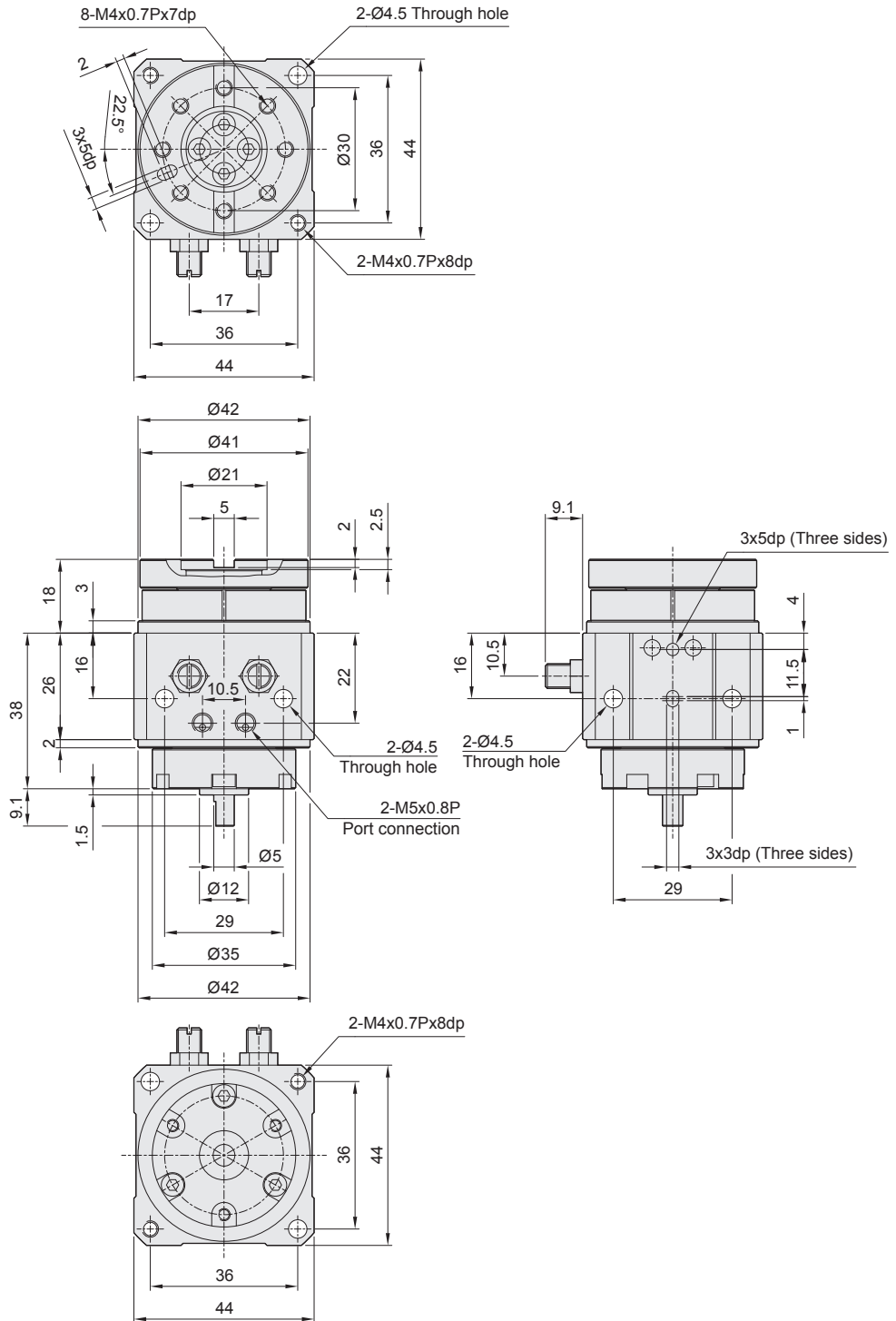


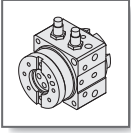
RMF series - Rotary cylinder

External dimensions

CHELIC

RMF 15



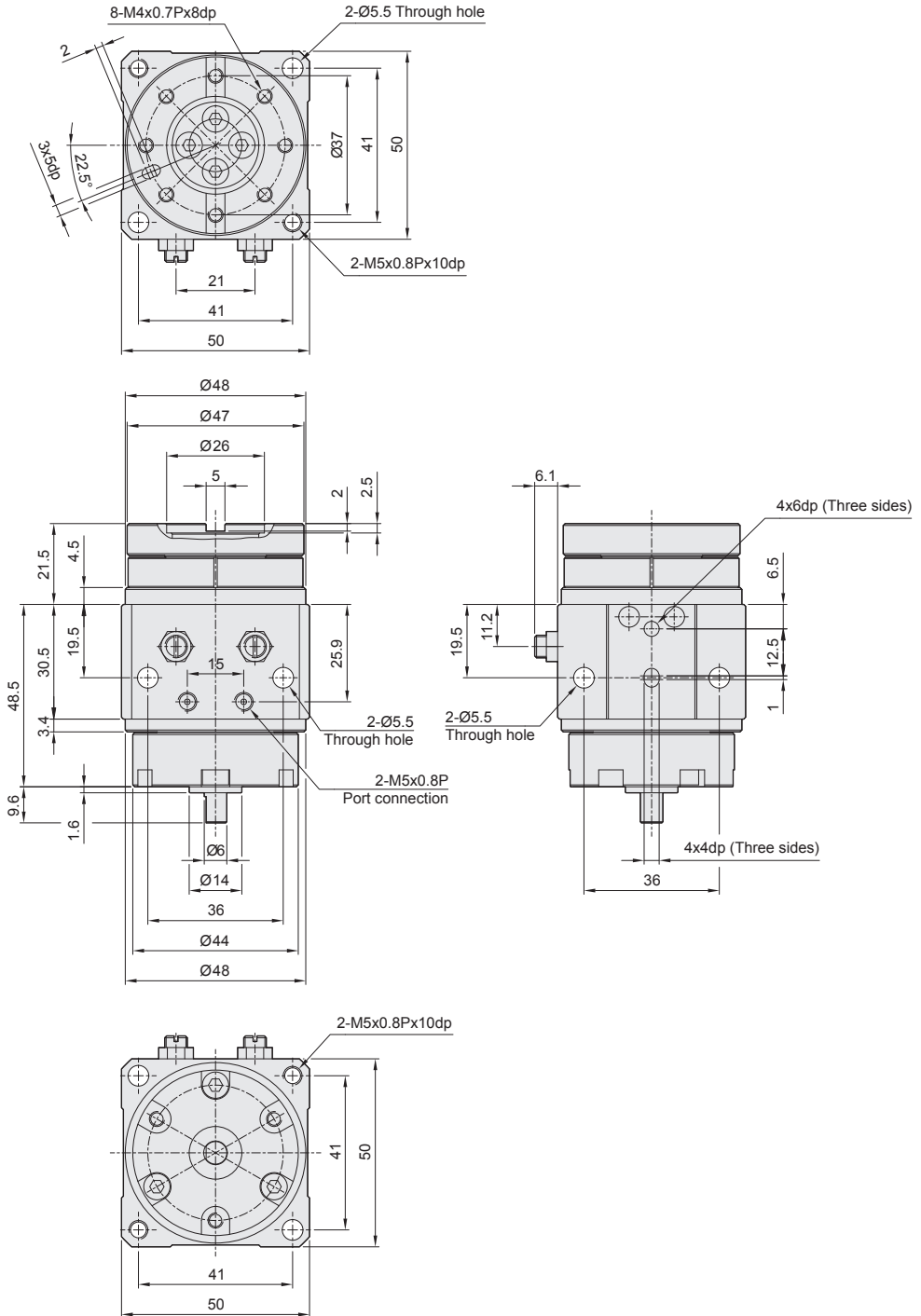


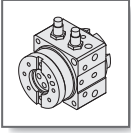
RMF series - Rotary cylinder

External dimensions

CHELIC

RMF 20



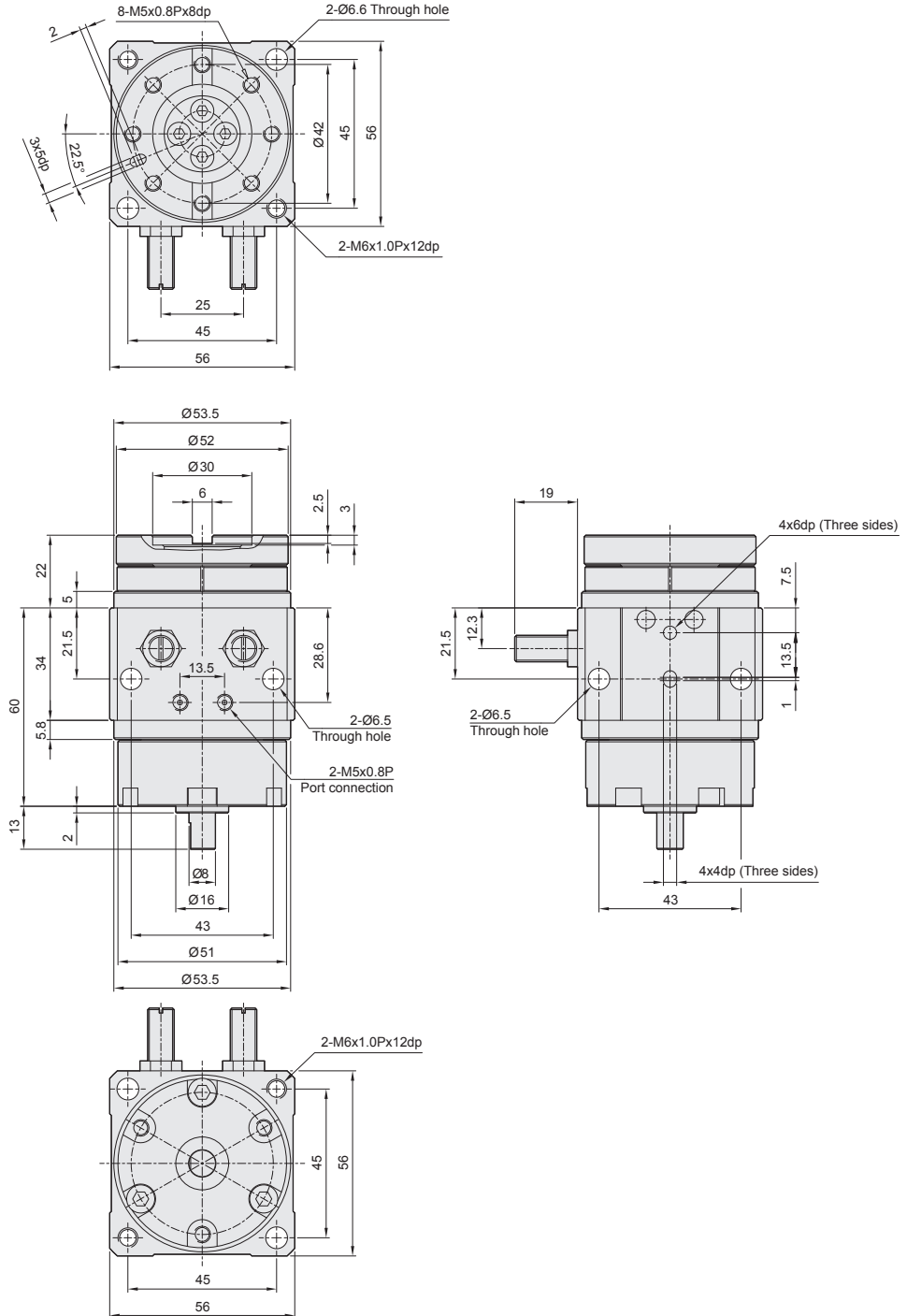


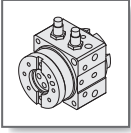
RMF series - Rotary cylinder

External dimensions

CHELIC

RMF 30



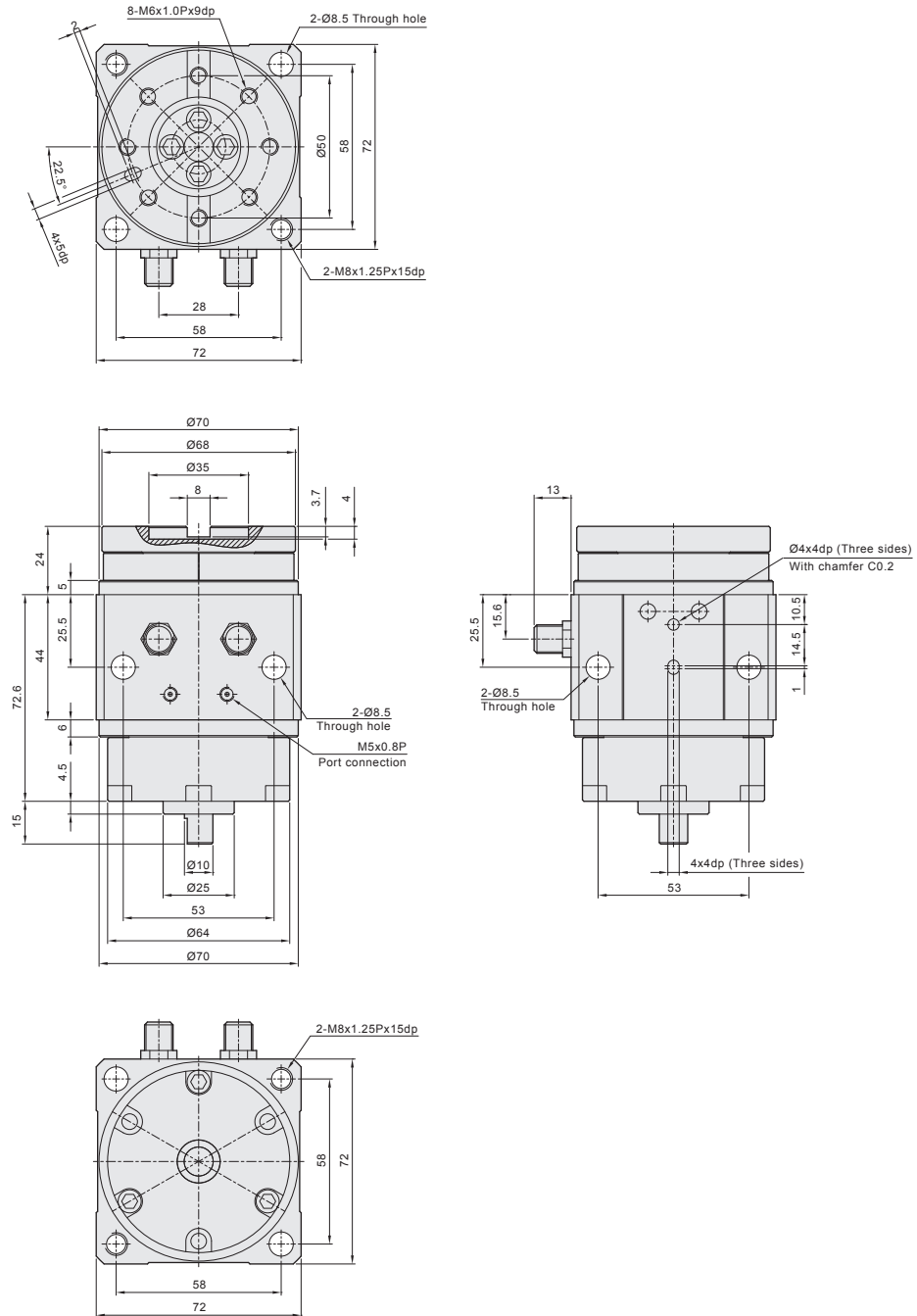


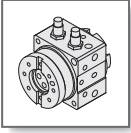
RMF series - Rotary cylinder

External dimensions

CHELIC

RMF 40



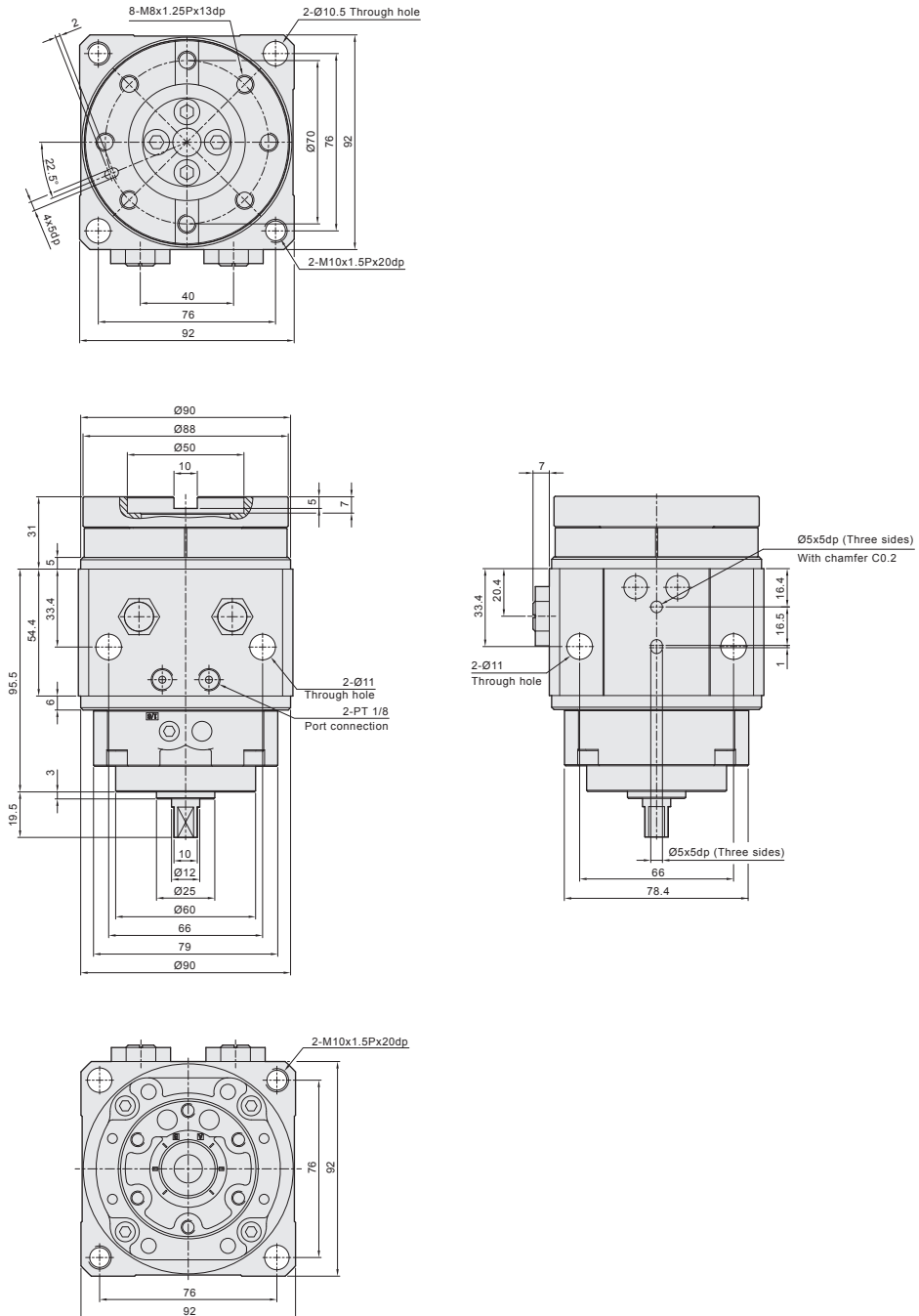


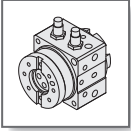
RMF series - Rotary cylinder

External dimensions

CHELIC

RMF 50





RMF series - Rotary cylinder

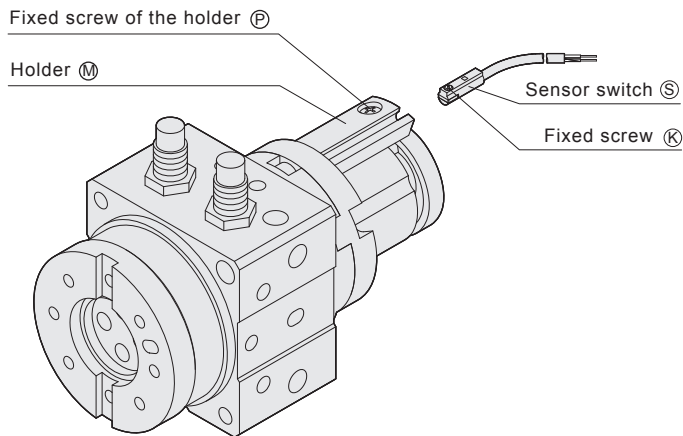
Angle adjustable • sensor switch device expression

CHELIC

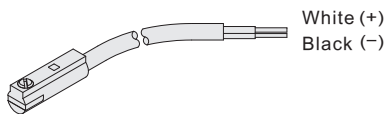
▶ Sensor switch adjustment on rotary cylinder

◎ Method of adjustment :

1. Loosen the Fixed screw of the holder (P) to allow sliding both sides.
2. Insert the sensor switch (S) into Holder (M) to flush with bottom, and then tighten the fixed screw (K).
3. Adjust the Holder (M) to desired angle, and then tighten the Fixed screw of the holder (P).

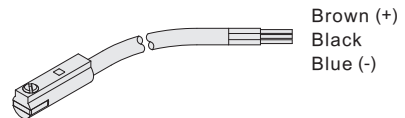


▶ Sensor switch introduction



Voltage : DC 10V ~ 28V

CS-8G



Voltage : DC 4.5V ~ 28V

CS-8GN(P)