

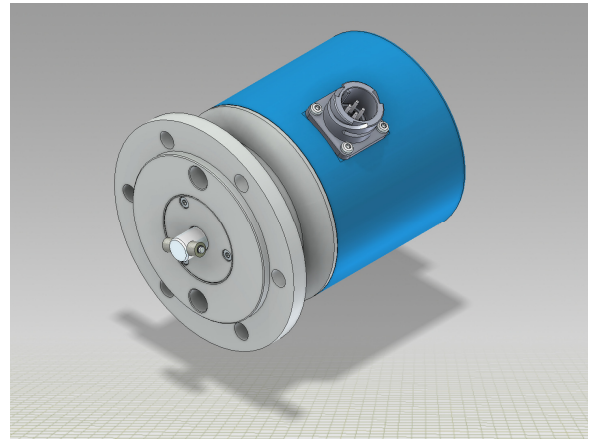
Geared Angle Potentiometer GP95

GP95-160 IBS-Part-No.: IBSGP185

GP95-320 IBS-Part-No.: IBSGP186

GP95-640 IBS-Part-No.: IBSGP183

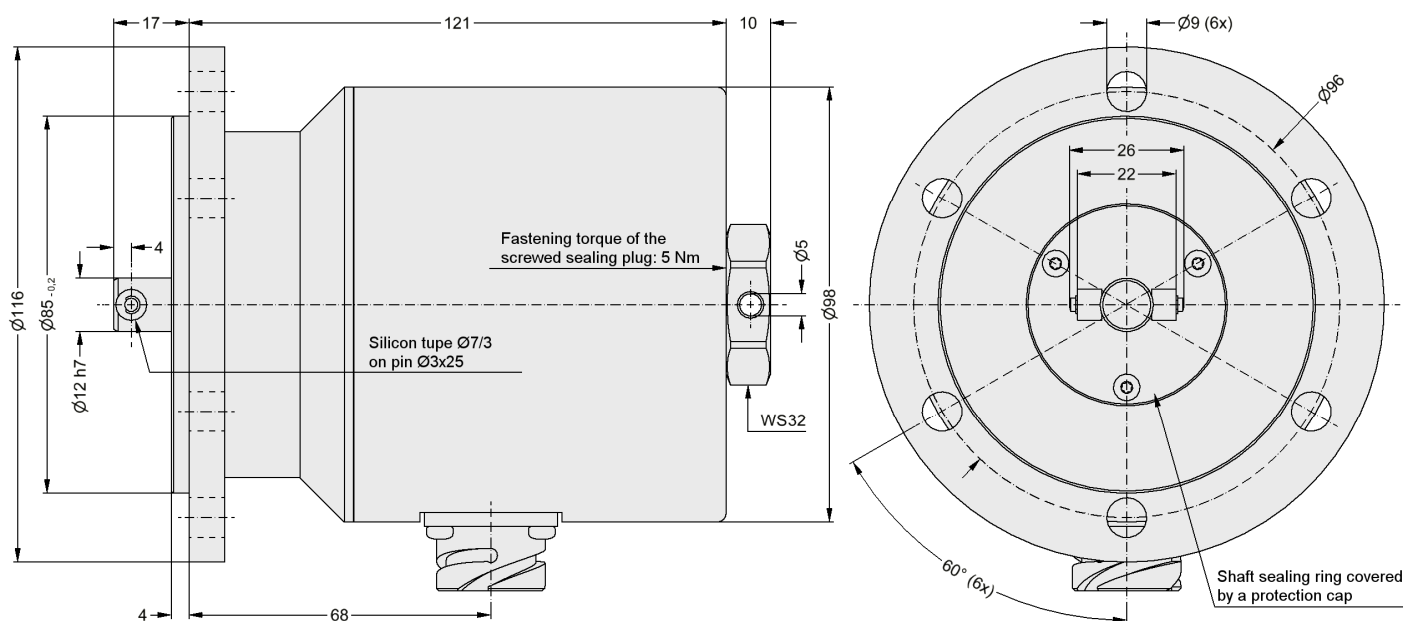
- Measuring range : 50 to 600 Revolutions
- Normalized output signal : 4 - 20 mA
- Working temperature range : -40°C to +75°C
- Housing : seawater resistant



Application

The sensor has been designed for applications, requiring increased operation reliability. Due to its excellent technical specifications, the sensor is suitable for multiple tasks. For example in tower cranes and cable winches.

Dimension diagram



Assembly

- Anodized Aluminum-Housing, protection class IP 66
- Anschluss-Stecker ITT-Cannon 4-polig / Schutzart IP 68 (im verriegelten Zustand)
- For centering use the servo flange Ø85 mm

Technical Data

Electrical Data

| | |
|-----------------|---|
| Power supply : | 24 V DC (±20 %) |
| Output signal : | External voltage resistant up to 30 V (inverse-polarity protection) |
| Lifespan : | typical 100 Mio. Revolutions |

Environmental conditions

| | |
|---------------------|------------------|
| Temperature range : | -40 °C to +75 °C |
| Humidity : | 0 % to 95 % |

Housing

| | |
|-----------------------|--|
| Housing : | AlMgSi1 anodized (seawater resistant) |
| Shaft / Coupling pin: | Stainless steel |
| Bearing : | Roller-contact bearing |
| Protection class : | IP 66 (EN 60529) |
| Weight : | 1,8 kg |
| Dimensions : | Ø116 x 248 mm |

Gear reductions and measuring ranges

GP95-160

Gear: 160,3 : 1 (play poor)

Switch setting:

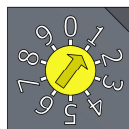
- 1: 50 revolutions, turns CW
- 2: 75 revolutions, turns CW
- 3: 150 revolutions, turns CW
- 5: 50 revolutions, turns CCW
- 6: 75 revolutions, turns CCW
- 7: 150 revolutions, turns CCW

GP95-320

Gear: 325,0 : 1 (play poor)

Switch setting:

- 1: 220 revolutions, turns CW
- 2: 300 revolutions, turns CW
- 5: 220 revolutions, turns CCW
- 6: 300 revolutions, turns CCW



GP95-640

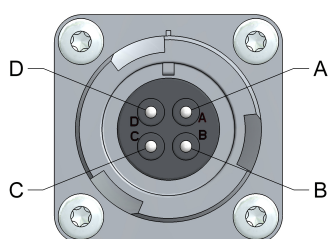
Gear: 643,2 : 1 (play poor)

Switch setting:

- 1: 400 revolutions, turns CW
- 2: 500 revolutions, turns CW
- 3: 600 revolutions, turns CW
- 5: 400 revolutions, turns CCW
- 6: 500 revolutions, turns CCW
- 7: 600 revolutions, turns CCW

Pin assignment

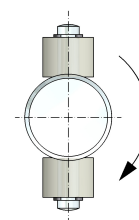
ITT-Cannon CA 02 COM E 14S-2P-B



- A : signal (4 - 20 mA)
 - B : GND (0 V)
 - C : +24 V DC
 - D : GND (0 V)
- } power supply

Attention:

Wrong connection may destroy the unit !



„turns CW“ means clockwise locking on top of the sensor shaft.
„turns CCW“ means counter clockwise locking on top of the sensor shaft.