

CA-2 Audio Chassis Product Installation Document

PN 52455:A 04/13/2005 ECN 05-064

1 Product Components

The CA-2 Audio Chassis assembly includes hardware to mount an audio command center installation in two rows of a CAB-4 backbox:

- Half-chassis for mounting the fire alarm control panel (FACP) or network control annunciator (NCA-2) in the upper row. Optionally, an LCM-320 or LEM-320 can be mounted behind the control panel.
- Half-chassis for mounting the DVC in the lower row. Optionally, an NCM-W/NCM-F can be mounted behind the DVC.
- Double-well for mounting the MIC-1 microphone and TELH-1 firefighters telephone (optional) across both rows on the right side of the backbox.
- Backplate for mounting both rows into the backbox.

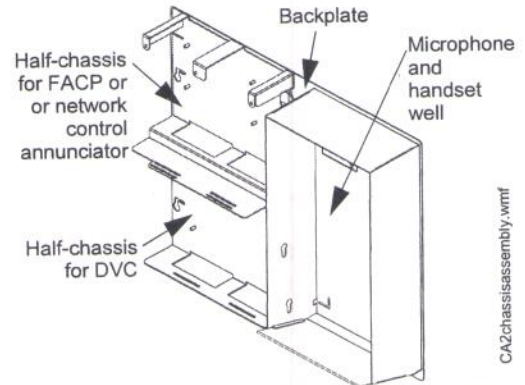


Figure 1 CA-2 Audio Chassis Assembly

Equipment will be located in the chassis as shown Figure 1.

Dress Panel DPA-2 mounts over the chassis with the built-in quarter-turn screws.

2 Preparing for Equipment Installation

In order to minimize the chances of damage during shipping, all chassis components are shipped fully assembled. It will be necessary to remove the double-well from the backplate before mounting audio equipment as discussed in this document. After equipment is mounted into the double-well and reinstalled on the backplate, the chassis components all slide aside to provide more room to connect field wiring (see Section 4, "Accessing the Field-wiring Connections").

2.1 Attaching the Microphone Bracket and Optional Telephone Cradle

Install the DVC and FACP or NCA-2 onto the chassis by inserting the tabs on the bottom into the tab slots and securing the top with two screws before connecting the microphone and telephone. For more information on installation, refer to the *DVC Manual*.

1. Remove double-well from backplate (three hex nuts P/N 36045).
2. Mount microphone bracket with screws supplied with microphone (P/N 38134), as shown in Figure 2
3. Mount optional telephone cradle with screws supplied with TELH-1, as shown in Figure 2.
4. Two bushings (P/N 43268) are supplied to protect the coiled cords from excessive wear and tear. Install the bushing(s) on coiled cord(s).
5. Thread the microphone cord through the lower keyhole and the telephone cord through the upper keyhole, as shown in Figure 3. Snap bushings into place in the keyholes.
6. Reattach double-well loosely so it can slide to the right for field-wiring.

4 Accessing the Field-wiring Connections

To provide more space around the field-wiring connections, loosen hex nuts and move chassis components to the side. Each half-chassis slides to the left; the double-well slides to the right. After field-wiring, slide the chassis components back into place and tighten all hex nuts.



CAUTION: Re-secure Hex Nuts to Prevent Equipment Damage

After returning the double-well and half-chassis to their standard position, tighten all hex nuts. If the nuts are not re-secured, they could continue to loosen each time the double-well is moved and may eventually fall off.

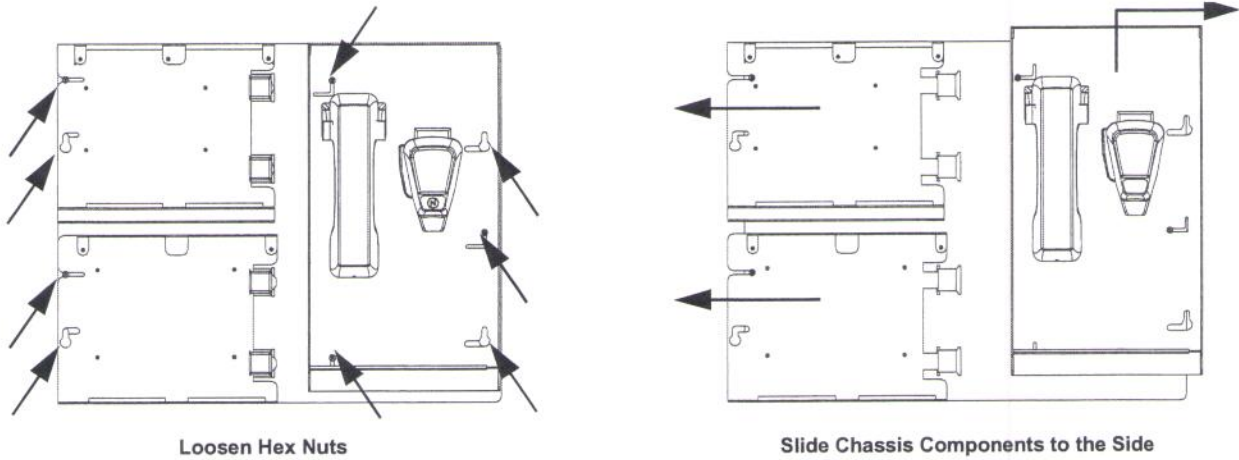


Figure 5 Moving Aside the Chassis Components