

Datasheet - TD 441-11Y

Position switch / medium heavy Position switch / T/M 441 / 441 Roller lever D



(Minor differences between the printed image and the original product may exist!)

- Actuator head can be repositioned in steps 4 x 90°
- Metal enclosure
- Continuous adjustment of lever position 360°
- Lever can be transposed by 180°
- 2 Contacts
- 106 mm x 99 mm x 63 mm (basic component)
- In temperature-resistant version, the roller can be mounted in two different positions on the shaft
- Protection class IP65
- 2 cable entries M 20 x 1.5

Ordering details


Product type description	TD 441-11Y
Article number	101170463
EAN code	4030661254395
eCl@ss	27-27-06-01

Approval

Approval



Global Properties

Product name	441 Rollenschwenkhebel D
Standards	EN 60947-5-1
Compliance with the Directives (Y/N) 	Yes
Suitable for safety functions (Y/N)	No
Standard housing (Y/N)	No
Materials	
- Material of the housings	cast iron, galvanized
- Roller material	Plastic
- Material of the contacts	Silver
Housing coating	painted
Weight	1655 g


Mechanical data

Design of electrical connection	Screw connection
Cable section	
- Min. Cable section	1.5 mm ²
- Max. Cable section	2.5 mm ²
AWG-Number	13
Active principle	mechanical
Mechanical life	10.000.000 operations
notice	All indications about the cable section are including the conductor ferrules.
Design of actuating element	Roller lever
Bounce duration	
Switchover time	
Contact opening	2 x 6 mm
Actuating speed with vertical actuating angle to switch axis	
- Min. Actuating speed	1 mm/min
- Max. Actuating speed	3 m/s
- Actuating angle from left of switch axis	30°
- Actuating angle from right of switch axis	30°

Ambient conditions

Ambient temperature	
- Min. environmental temperature	-30 °C
- Max. environmental temperature	+90 °C
Protection class	IP65 to IEC/EN 60529

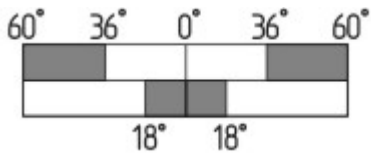
Electrical data

Design of control element	Normally open contact (NO), Opener (NC)
- with double break	
Switching principle	Creep circuit element
- positive break NC contact 	
Number of shutters	1 piece
Number of openers	1 piece
Rated impulse withstand voltage U _{imp}	6 kV
Rated insulation voltage U _i	400 V
Thermal test current I _{the}	16 A
Utilisation category	AC-15: 400 V / 4 A
Max. fuse rating	16 A gG D-fuse






Dimensions

Dimensions of the sensor	
- Width of sensor	106 mm
- Height of sensor	237 mm
- Length of sensor	63 mm
Roller wide	9 mm
Roller diameter	36 mm

Switch travel diagram



Notes Switch travel diagram

-  Contact closed
-  Contact open
-  Setting range
-  Break point
-  Positive opening sequence/- angle
- VS** adjustable range of NO contact
- VÖ** adjustable range of NC contact
- N** after travel

Ordering suffix

The applicable ordering suffix is added at the end of the part number of the safety switch.

Order example: TD 441-11Y-A

...-A	Aluminium enclosure
...- 1276-2	gold-plated contacts
...-T	Temperature-resistant and tropical version with ceramic insulation for -40°C ... +200°C Rated insulation voltage Ui: 500 V (Snap action)
...-1801	Splined shaft and lever available with 10° tothing
...-1801	Splined shaft and lever available with 10° tothing
...- UE	Slow action with overlapping contacts
...-RMS	Available with metal roller

Ordering code

(1)(2) 441-11Y(3)-(4)-(5)

(1)

T	Slow action
M	Snap action

(2)

S	Plunger S
2S	Telescopic plunger 2S
R	Roller plunger R
K	Offset roller lever K
J	Offset roller lever J
2C	Fork lever 2C

L	Roller lever L
D	Roller lever D
(3)	
UE	Slow action with overlapping contacts
(4)	
<i>without</i>	Cast iron enclosure
A	Aluminium enclosure
(5)	
T	Temperature-resistant and tropical version with ceramic insulation for -40 °C ... +200 °C
1276-2	gold-plated contacts

Documents

Operating instructions and Declaration of conformity (it) 86 kB, 09.03.2016

Code: mrl_posi-allgemein_it

Operating instructions and Declaration of conformity (fr) 85 kB, 20.07.2016

Code: mrl_posi-allgemein_fr

Operating instructions and Declaration of conformity (de) 88 kB, 18.02.2016

Code: mrl_posi-allgemein_de

Operating instructions and Declaration of conformity (pt) 86 kB, 27.03.2017

Code: mrl_posi-allgemein_pt

Operating instructions and Declaration of conformity (ru) 133 kB, 23.12.2015

Code: mrl_posi-allgemein_ru

Operating instructions and Declaration of conformity (en) 86 kB, 23.12.2015

Code: mrl_posi-allgemein_en

Operating instructions and Declaration of conformity (pl) 118 kB, 01.04.2016

Code: mrl_posi-allgemein_pl

Operating instructions and Declaration of conformity (es) 88 kB, 09.03.2016

Code: mrl_posi-allgemein_es

Declaration of conformity (en) 96 kB, 11.04.2014

Code: konfi_mrl_t422_en

Declaration of conformity (de) 94 kB, 08.08.2016

Code: __422p01

Declaration of conformity (pl) 129 kB, 08.08.2016

Code: __422p01_pl

CCC certification (cn) 172 kB, 20.11.2015

Code: q_352p03

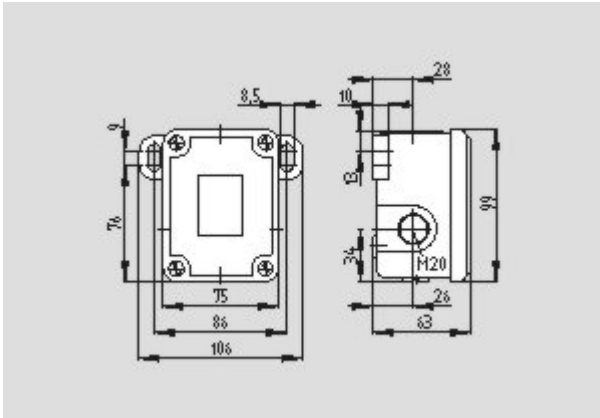
CCC certification (en) 171 kB, 20.11.2015

Code: q_352p02

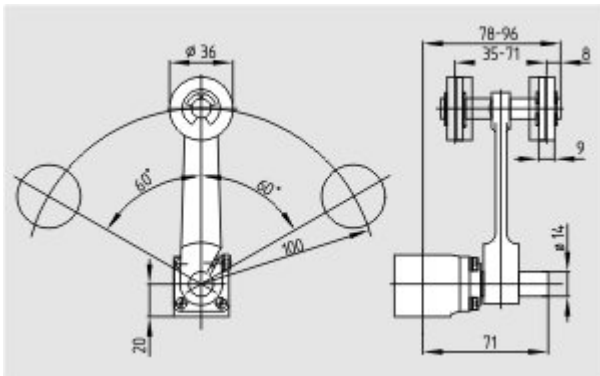
EAC certification (ru) 388 kB, 20.01.2016

Code: q_1527p17_ru

Images



Dimensional drawing (basic component)



Dimensional drawing (miscellaneous)



Operating principle

K.A. Schmersal GmbH & Co. KG, Möddinghofe 30, D-42279 Wuppertal

The data and values have been checked thoroughly. Technical modifications and errors excepted.

Generiert am 26.05.2017 - 09:57:04h Kasbase 3.2.6.F.64I