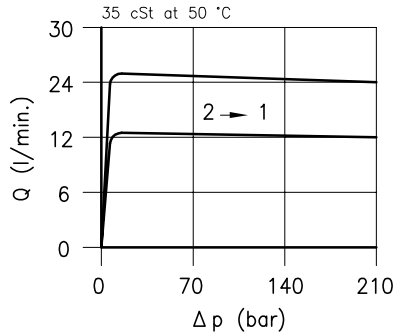
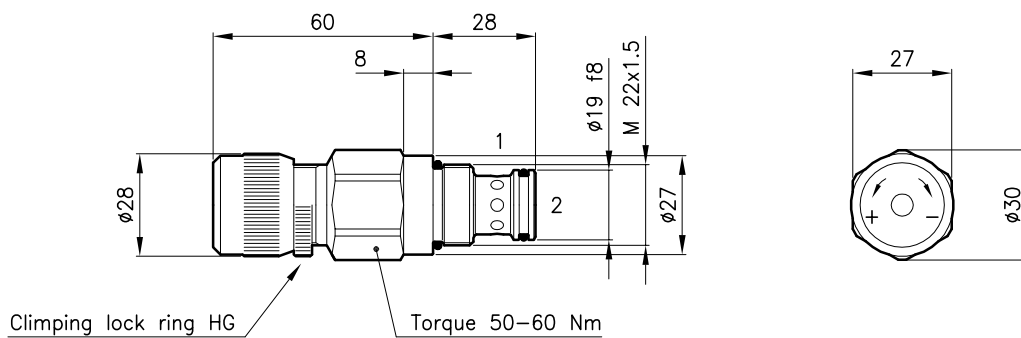


**Technical features**



Cavity	(For dimensions see catalogue 17.000)	S 30/2
Flow setting range (l/min.)	type D	0.05 - 12
	type Q	0.05 - 24
Max. pressure	(bar)	315
Min. pressure difference	(bar)	7
Fluid viscosity range	(cSt)	2.8 - 380
Fluid temperature range	(°C)	-20 +80
Mass	(kg)	0.240
Hydraulic fluid; mineral oil HM and HV ISO 6074		
Recommended filtration; 19/15 ISO 4466 (25 μ absolutes)		
Complete adjustment range obtained with 1 knob turn		
Standard seals in Polyurethane and Buna N		

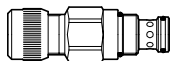
**Dimensions**



**Ordering informations**

**RDZ 30/D-H**

**RDZ 30** = Valve type



Flow setting range

**D** = 0.05 - 12 l/min

**Q** = 0.05 - 24 l/min

Adjustment type

**H** = Standard

**HG** = With clamping lock ring

Codes:

RDZ 30/D-H 33 011 117

RDZ 30/Q-H 33 011 118

RDZ 30/D-HG 33 011 139

RDZ 30/Q-HG 33 011 140

External seals kit 90 620 103

RDZ 30 valves can be assembled on standard bodies 30-LO series; for dimensions see catalogue 16.010