

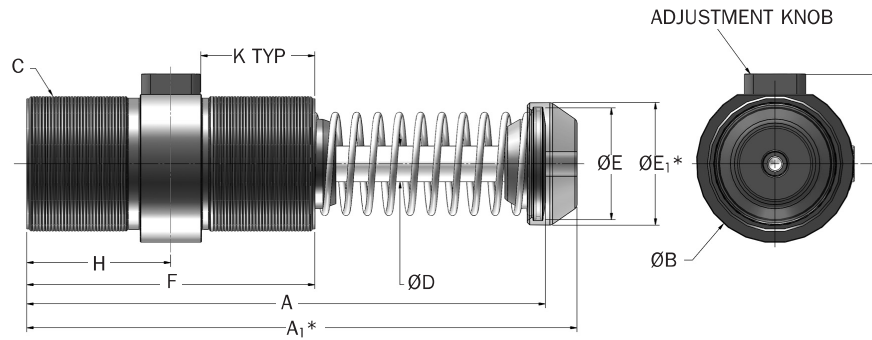
Adjustable Series Hydraulic Shock Absorbers

OEM Mid-Bore Series

Technical Data

OEM 3.0M → OEM 4.0M Series

Standard



*Note: A₁ and E₁ apply to urethane striker cap accessory.

Catalog No./Model	(S) Stroke in. (mm)	Optimal Velocity Range in./sec. (mm)	(E _T) Max. in.-lbs./cycle (Nm/cycle)	(E _T C) Max. in.-lbs./hour (Nm/h)	(F _P) Max. Reaction Force lbs. (N)	Nominal Coil Spring Force		(F _D) Max. Propelling Force lbs. (N)	Weight (mass) lbs. (Kg)
						Extended lbs. (N)	Compressed lbs. (N)		
OEM 3.0M x 2	2.0 (50)	12-170 (0,3-4,3)	20,000 (2 300)	3,290,000 (372 000)	15,000 (67 000)	25 (110)	45 (200)	2,700 (12 000)	15.5 (7,0)
OEM 3.0M x 3.5	3.5 (90)	12-170 (0,3-4,3)	35,000 (4 000)	5,770,000 (652 000)	15,000 (67 000)	25 (110)	45 (200)	2,700 (12 000)	20.0 (9,1)
OEM 3.0M x 5	5.0 (125)	12-170 (0,3-4,3)	50,000 (5 700)	8,260,000 (933 000)	15,000 (67 000)	16 (71)	45 (200)	2,700 (12 000)	24.0 (10,9)
OEM 3.0M x 6.5	6.5 (165)	12-170 (0,3-4,3)	65,000 (7 300)	10,750,000 (1 215 000)	15,000 (67 000)	27 (120)	75 (330)	2,700 (12 000)	30.0 (13,6)
OEM 4.0M x 2	2.0 (50)	12-170 (0,3-4,3)	34,000 (3 800)	13,300,000 (1 503 000)	25,000 (111 000)	50 (225)	65 (290)	4,800 (21 000)	33.0 (15,0)
OEM 4.0M x 4	4.0 (100)	12-170 (0,3-4,3)	68,000 (7 700)	16,000,000 (1 808 000)	25,000 (111 000)	35 (155)	65 (290)	4,800 (21 000)	40.0 (18,2)
OEM 4.0M x 6	6.0 (150)	12-170 (0,3-4,3)	102,000 (11 500)	18,600,000 (2 102 000)	25,000 (111 000)	30 (135)	70 (310)	4,800 (21 000)	44.0 (20,0)
Δ OEM 4.0M x 8	8.0 (200)	12-170 (0,3-4,3)	136,000 (15 400)	21,300,000 (2 407 000)	25,000 (111 000)	40 (180)	80 (355)	4,800 (21 000)	66.0 (30,0)
Δ OEM 4.0M x 10	10.0 (250)	12-170 (0,3-4,3)	170,000 (19 200)	24,000,000 (2 712 000)	25,000 (111 000)	30 (135)	80 (355)	4,800 (21 000)	73.0 (33,0)

Note: Δ = Non-standard lead time items, contact ITT Enidine.

Catalog No./Model	A in. (mm)	A ₁ in. (mm)	B in. (mm)	C in. (mm)	D in. (mm)	E in. (mm)	E ₁ in. (mm)	F in. (mm)	H in. (mm)	J in. (mm)	K in. (mm)
OEM 3.0M x 2	9.66 (245)	10.43 (265)	3.88 (98)	M85 x 2	0.88 (22)	2.75 (69)	3.00 (76)	5.53 (140)	2.77 (70)	2.25 (58)	2.02 (51)
OEM 3.0M x 3.5	12.72 (323)	13.49 (343)	3.88 (98)	M85 x 2	0.88 (22)	2.75 (69)	3.00 (76)	7.06 (179)	3.53 (90)	2.25 (58)	2.78 (71)
OEM 3.0M x 5	15.72 (399)	16.49 (419)	3.88 (98)	M85 x 2	0.88 (22)	2.75 (69)	3.00 (76)	8.50 (217)	4.28 (109)	2.25 (58)	2.78 (71)
OEM 3.0M x 6.5	19.46 (494)	20.23 (514)	3.88 (98)	M85 x 2	0.88 (22)	3.19 (81)	3.19 (81)	10.06 (256)	5.03 (128)	2.25 (58)	2.78 (71)
OEM 4.0M x 2	12.32 (313)	13.20 (335)	5.00 (127)	M115 x 2	1.38 (35)	3.50 (88)	3.75 (95)	8.00 (203)	4.00 (102)	2.89 (74)	3.13 (80)
OEM 4.0M x 4	16.32 (414)	17.20 (436)	5.00 (127)	M115 x 2	1.38 (35)	3.50 (88)	3.75 (95)	10.00 (254)	5.00 (127)	2.89 (74)	4.13 (105)
OEM 4.0M x 6	20.32 (516)	21.20 (538)	5.00 (127)	M115 x 2	1.38 (35)	3.50 (88)	3.75 (95)	12.00 (305)	6.00 (153)	2.89 (74)	4.25 (108)
OEM 4.0M x 8	25.32 (643)	26.20 (665)	5.00 (127)	M115 x 2	1.38 (35)	3.50 (88)	3.75 (95)	14.00 (356)	7.00 (178)	2.89 (74)	4.25 (108)
OEM 4.0M x 10	29.32 (745)	30.20 (767)	5.00 (127)	M115 x 2	1.38 (35)	3.50 (88)	3.75 (95)	16.00 (406)	8.00 (203)	2.89 (74)	4.25 (108)

Notes: 1. All shock absorbers will function satisfactorily at 5% of their maximum rated energy per cycle. If less than 5%, a smaller model should be specified.

2. For mounting accessories, see pages 32.

3. Rear flange mounting of OEM 3.0M x 6.5, OEM 4.0M x 8 and OEM 4.0M x 10 models not recommended when mounting horizontally.