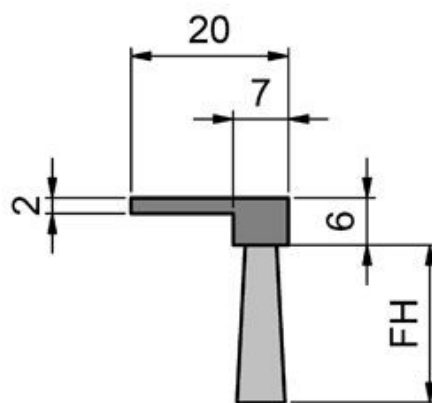


Think Mink![®]**Data sheet - STL3003-K16**

All dimensions in mm

Body material:	Polyvinyl chloride (PVC)
Body colour:	grey
Bristle material:	Polyamide 6 (PA6)
Bristle colour:	black / smooth
Bristle diameter:	0,50
Bristle length (FH):	80
Body length:	1.000 mm