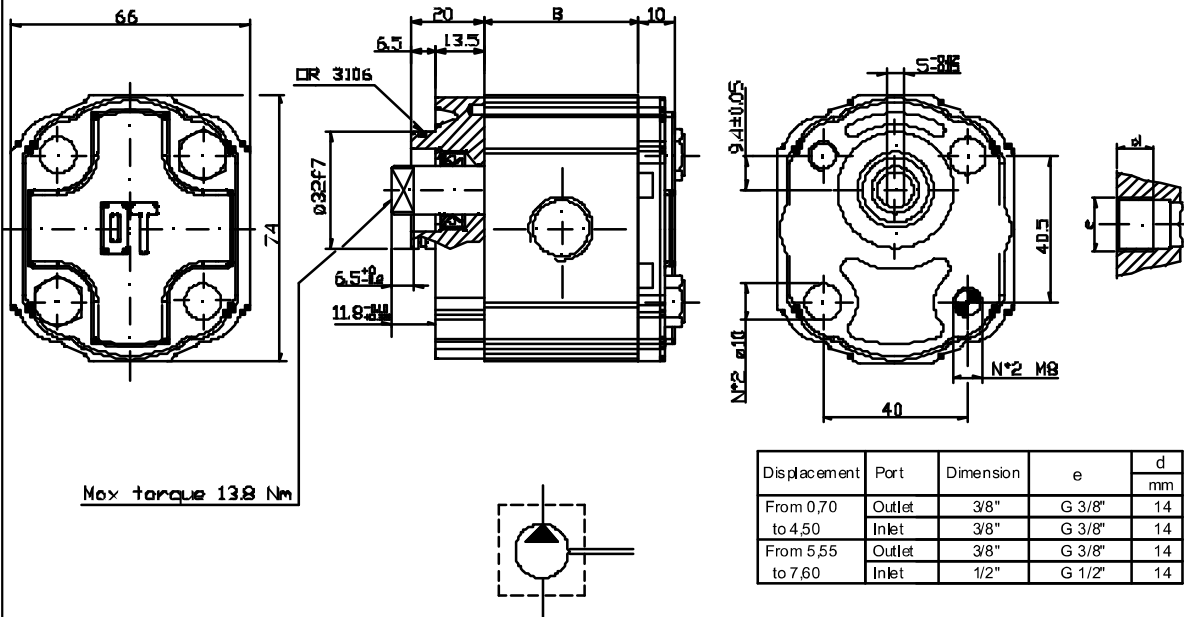


## GROUP 1 PUMPS FOR POWER UNITS

**VERSION : G14 B0**



Displacement	Port	Dimension	e	d
				mm
From 0,70 to 4,50	Outlet	3/8"	G 3/8"	14
	Inlet	3/8"	G 3/8"	14
From 5,55 to 7,60	Outlet	3/8"	G 3/8"	14
	Inlet	1/2"	G 1/2"	14

Type	Displacement (cc/rev)	Max working pressure P1 (bar)	Peak pressure P3 (bar)	Max speed (rpm)	Dimension B (mm)	Absorbed torque at 150 bar (Nm)	Code (Anti-clockwise)	Code (Clockwise)
OT 100 P 07	0.73	200	240	5000	36.7	1.8	PS1017001S	PS1017001D
OT 100 P 11	1.05	240	280	5000	37.8	2.4	PS1017002S	PS1017002D
OT 100 P 16	1.45	260	300	5000	39.5	4.2	PS1017003S	PS1017003D
OT 100 P 20	1.80	240	300	5000	40.9	5.2	PS1017004S	PS1017004D
OT 100 P 26	2.50	240	280	5000	43.0	6.7	PS1017005S	PS1017005D
OT 100 P 32	3.05	240	280	5000	45.0	8.3	PS1017006S	PS1017006D
OT 100 P 40	3.80	220	260	4500	47.8	10.1	PS1017007S	PS1017007D
OT 100 P 49	4.70	200	240	4500	50.9	12.7	PS1017008S	PS1017008D
OT 100 P 58	5.55	180	220	4000	54.0	15.0	PS1017009S	PS1017009D
OT 100 P 65	6.25	160	200	3750	56.5	16.8	PS1017010S	PS1017010D
OT 100 P 79	7.60	140	180	3500	61.2	20.5	PS1017012S	PS1017012D

### EXAMPLE OF ORDERING CODE

OT100 P 20 S / G 14 B0

