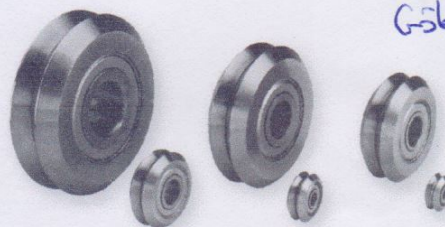


Original DualVee Guide Wheels

- 52100 carbon steel or 440C stainless steel from stock
- Shielded or sealed to protect against contamination
- Inside or outside vee surface can be employed to support loads



5. Fabrika Gökhan Çam

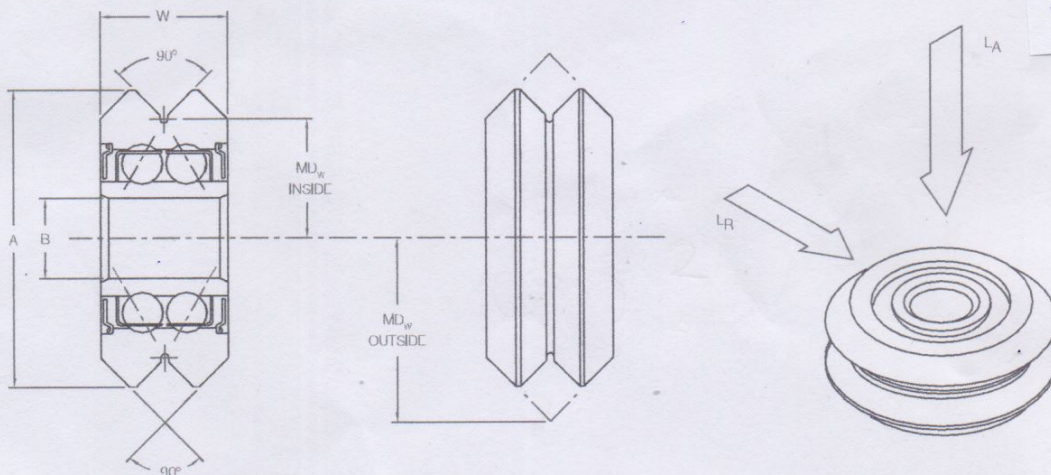
Load Capacities

Size	Part Number			Radial L _R		Axial L _A		Weight in Grams
	Shielded	Sealed	Sealed SS	N	lbf	N	lbf	
1	W1	W1X	W1SSX	1220	274	252	57	11.1
2	W2	W2X	W2SSX	2650	596	625	141	39.0
3	W3	W3X	W3SSX	5900	1326	1701	382	130.2
4	W4	W4X	W4SSX	9700	2181	4001	900	276.0
4XL	N/A	W4XXL	W4SSXXL	14300	3215	6552	1473	575.0

Dimensions

Size	Outside Diameter A	Bore Size B	Width W	Inside Vee Radius MD _w Inside	Outside Vee Radius MD _w Outside
1	.771	.1875	.310	.313	.468
2	1.210	.3750	.438	.500	.719
3	1.803	.4724	.625	.750	1.063
4	2.360	.5906	.750	1.000	1.375
4XL	2.968	.8661	1.000	1.250	1.750

All values are in inches. Guide Wheels are manufactured to ABEC 1.



Notes

Integral, swaged, clean room compatible, and size 0 wheels are also available. Please refer to the full line DualVee catalog for complete information.