

Special Features

Special Wattage, Voltage and Lengths

Check factory if you require a custom designed heater.

Lengthwise Bending

Consult factory if lengthwise bending is required.

Finned Strip Heater - Type FS

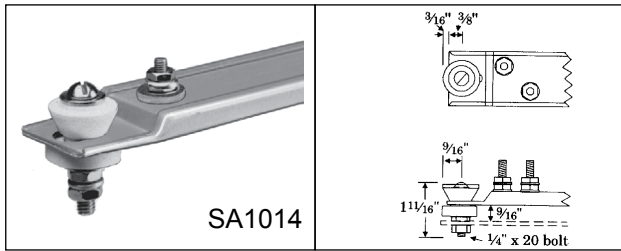
Type SS strip heaters (with offset terminals) can be supplied with fins on request. Also see page A33 for standard listings.

Secondary Insulators

Whenever the voltage to ground on the strip heater exceeds 300V secondary insulators must be used.

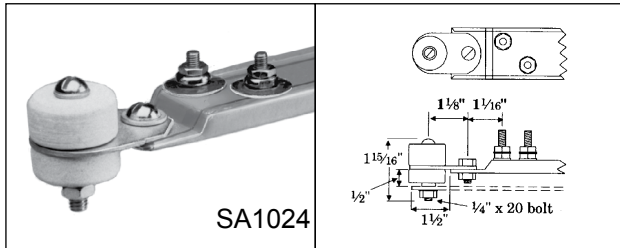
CAT. NO. SA1014

This insulator shown is for use where mounting space is limited to 1/2" (12.7 mm) longer than the strip heater. Strip heater mounting tabs must be factory punched to install insulator.



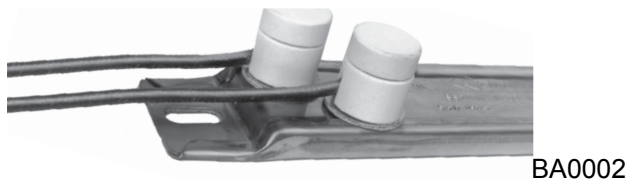
CAT. NO. SA1024

This secondary insulator is for use with stock strip heaters. The mounting space must be 3" (76 mm) longer than the strip heater.



Ceramic Post Terminal Cover (BA0002)

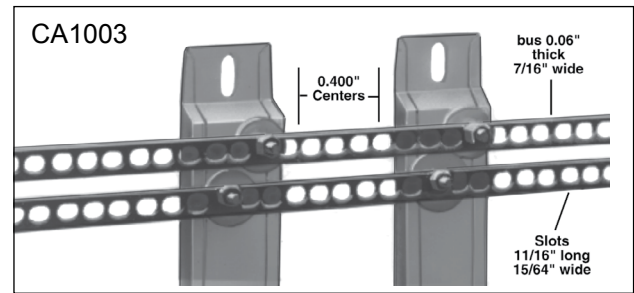
For heaters with standard 10-32 threaded terminals at both ends or with offset terminals at one end, these ceramic post terminal covers may be used with insulated wiring to provide protection against electrical shock.



Brass Bus Bar - CAT. NO. CA1003

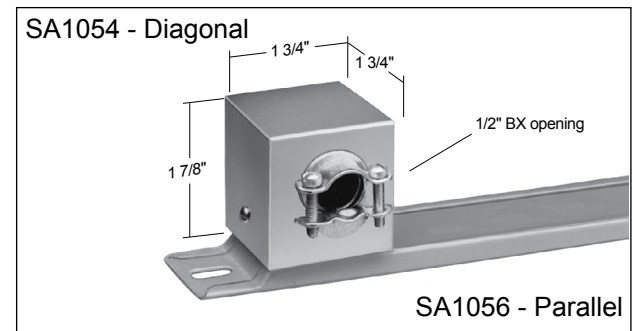
Perforated brass bus bar provides a sturdy conductor for connecting numerous strip heaters in series or parallel. Bus bars may be stacked for higher current-carrying capacities.

AMBIENT TEMP °C (°F)	CURRENT CAPACITY (AMPS)	
	1 BUS	2 BUS
21 (70)	36	50
121 (250)	32	45
260 (500)	26	36
399 (750)	20	28



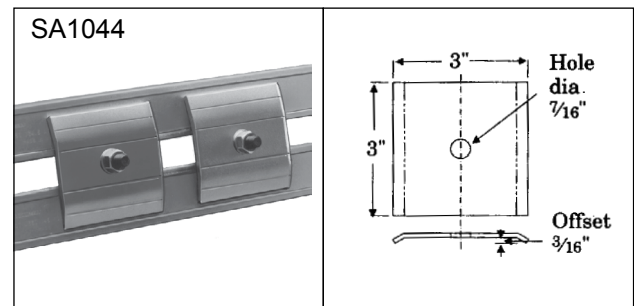
Terminal Box —CAT. NO. SA1054

For type SS strip heaters the box is equipped with BX cable fitting and can be mounted in any of four directions.



Surface Clamp—CAT. NO. SA1044

This heavy-gauge, nickel-plated steel clamp is used to mount strip heaters securely to broad surfaces such as tank walls, platens, dies. Threaded 3/8" (9.5 mm) diameter studs must be first welded, brazed or threaded into the work surfaces.



Special Features