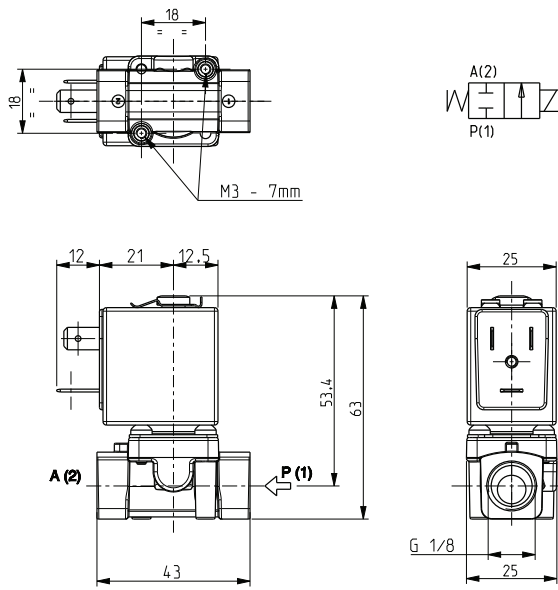


ASCO™ SOLENOID VALVE

2/2 NORMALLY CLOSED – DIRECT ACTING - G 1/4

SERIES
L171



General Features

Direct acting solenoid valve.

Suitable to shut off liquid and gaseous fluids (verify the compatibility of fluid with material in contact).

Technical Features	
Maximum allowable pressure (PS)	30bar
Opening time	from ~10ms to ~20ms
Closing time	from ~10ms to ~20ms
Fluid temperature	0°C +130°C (FPM) -10°C +90°C (NBR)
Max viscosity	5°E (~37 cStokes or mm ² /s)

Materials in Contact with Fluid	
Body	Brass
Sealing	FPM or NBR
Internal components	Stainless steel
Seat	Brass
Core tube	Stainless steel
Shading coil	Copper

Coil		
Continuous duty	ED 100%	
Encapsulation material	PET (polyethylene terephthalate) fibreglass reinforced	
Insulation class	F(155°C) - on request class H (180°C) - UL	
Ambient temperature	-10°C +60°C	
Electric connection	DIN 46340 - 3 poles plug connectors	
Protection degree	IP 65 (EN 60529) with plug connectors	
Voltages	DC	12-24V (+10% -5%)
	AC	24V/50-60Hz - 110V/50-60Hz (120V/60Hz) 230V/50-60Hz (+10% -15%) (Other voltages and frequencies on request)

Port size ISO 228	Orifice size (mm)	Differential pressure (bar)				Kv (m ³ /h)	Series and type		Power absorption			Sealings	Notes	Weight (kgs)			
		Δp min	Δp max		Valve		Coil	AC (VA)		DC (W)							
			Gases	Liquids				Inrush	Holding								
G 1/4	3	0	7	-	7	-	Z610A	16	10	-	-	-	-	0,200			
															0,25	L171B13	NBR
	0,40		L171V13	FPM													
	4,5		2,5	-	2,5	-									0,40	L171B13	NBR
	6		1	-	1	-									0,65	L171B13	NBR
	3		-	3,5	-	3,5									0,25	L171B14	NBR
	6		0,3	-	-	0,3									0,65	L171B14	NBR
0,65		L171V14					FPM										

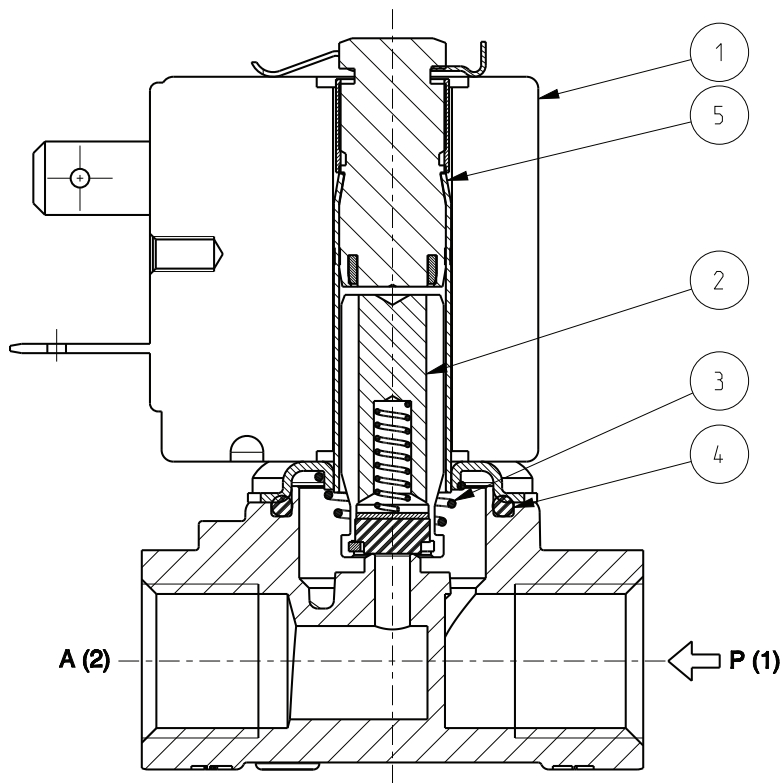
Notes

- Sealings: FPM = Fluoro-carbon elastomer NBR = Nitrile-butylene elastomer

SERIES
L171

ASCO™ SOLENOID VALVE
2/2 NORMALLY CLOSED – DIRECT ACTING - G 1/4

Spare Parts



Kit description	Model	Diameter	Kit P.N.	Consisting of:
Core kit	L171B13	Ø3	G2937301	Core pos.2 Core return spring pos.3 OR guide assembly pos.4
		Ø4,5 - 6	G2951301	
	L171V13	Ø3	G2937303	
		Ø4,5 - 6	G2951302	
	L171B14	Ø3	G2951201	
		Ø6	G2951401	
L171V14	Ø3	G2951202		
	Ø4,5 - 6	G2951402		
Core return spring kit	L171B-V13		G2927101	N.10 core return spring pos.3
	L171B-V14	Ø3	G2926901	
		Ø6	G2960901	
OR guide assembly kit	L171B13-14		GU2421000017	N.10 OR guide assembly kit pos.4
	L171V13-14		GU2424000017	
Guide pipe assembly kit			G3151601	Guide pipe assembly pos.5 Coil clip
Coil			Z610A	Coil pos.1

Installation

- Solenoid valve can be mounted in any position; vertical with coil upwards preferred.

THE VALIDITY OF REPORTED DATA IS REFERRED TO THE DATE OF ISSUE. POSSIBLE UPDATES ARE AVAILABLE ON REQUEST